



## System rolet materiałowych

RM 18 | RM 32 | RM 40 / 40+ | RM 45 / 45+ | RM 55 | GEMI 1 / 2

FANTAZJA LUX / MINI LUX

RM 18 IMPRESJA | RM 32 IMPRESJA | RM 45 IMPRESJA



---

catalogue of system solutions





---

Part of WAREMA GROUP

## System rolet materiałowych

RM 18 | RM 32 | RM 40 / 40+ | RM 45 / 45+ | RM 55 | GEMI 1 / 2

FANTAZJA LUX / MINI LUX

RM 18 IMPRESJA | RM 32 IMPRESJA | RM 45 IMPRESJA





---

## Table of contents

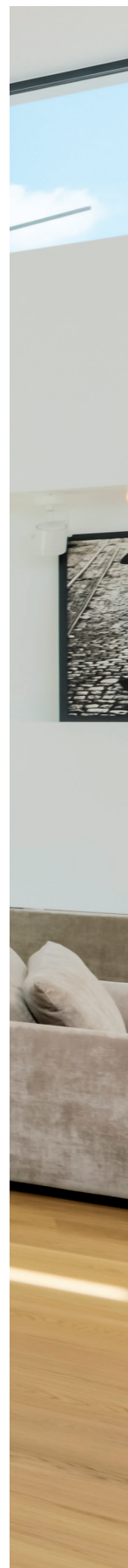
---

### RM

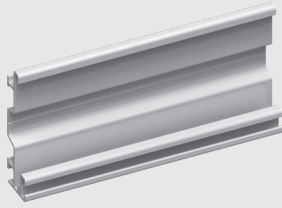
Roller blind system components	2 - 3
The colours of accessories	5
RM 18 roller blind	6 - 15
RM 32 roller blind	16 - 33
RM 32 with side channels	34 - 41
RM 40/40+ roller blind	42 - 67
RM 45/45+ roller blind	68 - 89
RM 55 roller blind	90 - 101
Bottom bar bracket / Bottom finishes	104 - 106
System specifications	108 - 109
Roleta materiałowa GEMI 1/2	110 - 122

### IMPRESJA ROLLER BLIND

IMPRESJA roller blind System Components	126 - 127
The colours of accessories	129
RM 18 IMPRESJA	130 - 139
RM 32 IMPRESJA	140 - 149
RM 45 IMPRESJA	150 - 157
CHILD SAFETY	158 - 159
MORE INFORMATION	160 - 161



# Roller blind system components

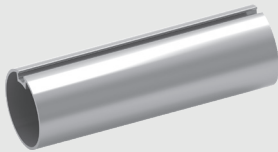


## Mounting Profile (optional)

designed to allow installation in places where standard installation brackets cannot be used.

Product specification

Material: aluminium



## Roller Tube

wear-resistant at high loads, increased torsional strength.

Product specification

Material: aluminium

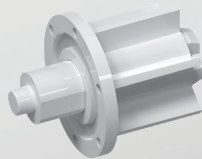


## Bracket and Bracket Cover

brackets made of PVC or zinc plated/powder coated steel. They enable quick and simple installation (top, face or side fix). The brackets are colour-coordinated with the colour of the operating system.

Product specification

Material:  
bracket - PVC / powder-coated, galvanized steel  
handle cover - PVC

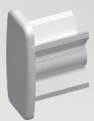


## Plunger End

Enables quick and easy mount as well as disassembly of blinds, also those of above average size.

Product specification

Material: PVC



## Bottom Bar End Cap (oval or round)

Aesthetically pleasing, matching end caps provide the perfect finish to the bottom rail assembly.

Product specification

Material: PVC



### Control End



Patented, universal side control operating unit, featuring fabric locking system (brake).

#### Product specification

Material:  
housing – PVC  
spring lock – stainless steel



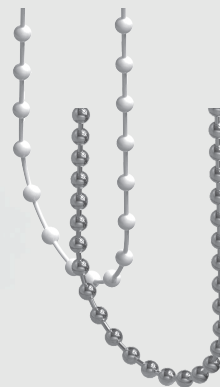
### Break-open chain connector, safety cleat



PN-EN 13120 standard has been introduced by the EU in order to reduce the risk which internal blinds and corded window coverings with their accessible cord(s), chain(s), ball chain(s) or similar may pose for young children. The standard requires warnings to be provided in a clear and conspicuous way; the product should also be provided with appropriate safety devices (cord cleats, safety holders, break away devices etc.) Assembly, installation and safety instructions should be included in the package.

#### Product specification

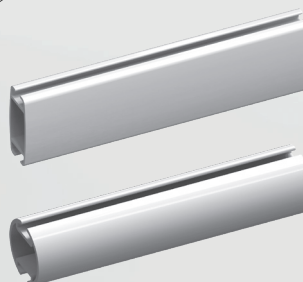
Material: PVC



### Ball Chain

PVC or metal (optional).

Chain pitch designed for smooth and silent operation.



### Bottom rail

Oval and round rails are made of aluminium. The design allows for concealed and secure location of the fabric. We also offer a wide range of wooden bottom rails and flounces to be attached to the fabric for decorative or co-ordinating effect.

#### Product specification

Material: aluminium, wood (optional).









Wall thickness: 1,2 mm (oval), 1,25 mm (round)








*RM 32 roller blind with mounting profile and fabric tucked inside bottom bar.*





# The colours of accessories

RM 18		
	colour	RAL symbol
	white	9003
	ivory	1013
	light brown	8017
	grey	7040
	anthracite	7016
	black	9005
	walnut (print)	-
	golden oak (print)	-

RM 32 / RM 40/40+ / RM 45/45+ / RM 55 *		
	colour	RAL symbol
	white	9003
	cream	1013
	brown	8019
	silver anode	-
	grey	7035
	anthracite	7016
	black	9005
	RAL	any**

\* the colour of the system (RM 32 / RM 40/40+ / RM 45/45+ / RM 55) depends on the colour of the chosen roller blind  
 \*\* except pearly, metallic and fluorescent colours

RM 18



---

## RM 18

---

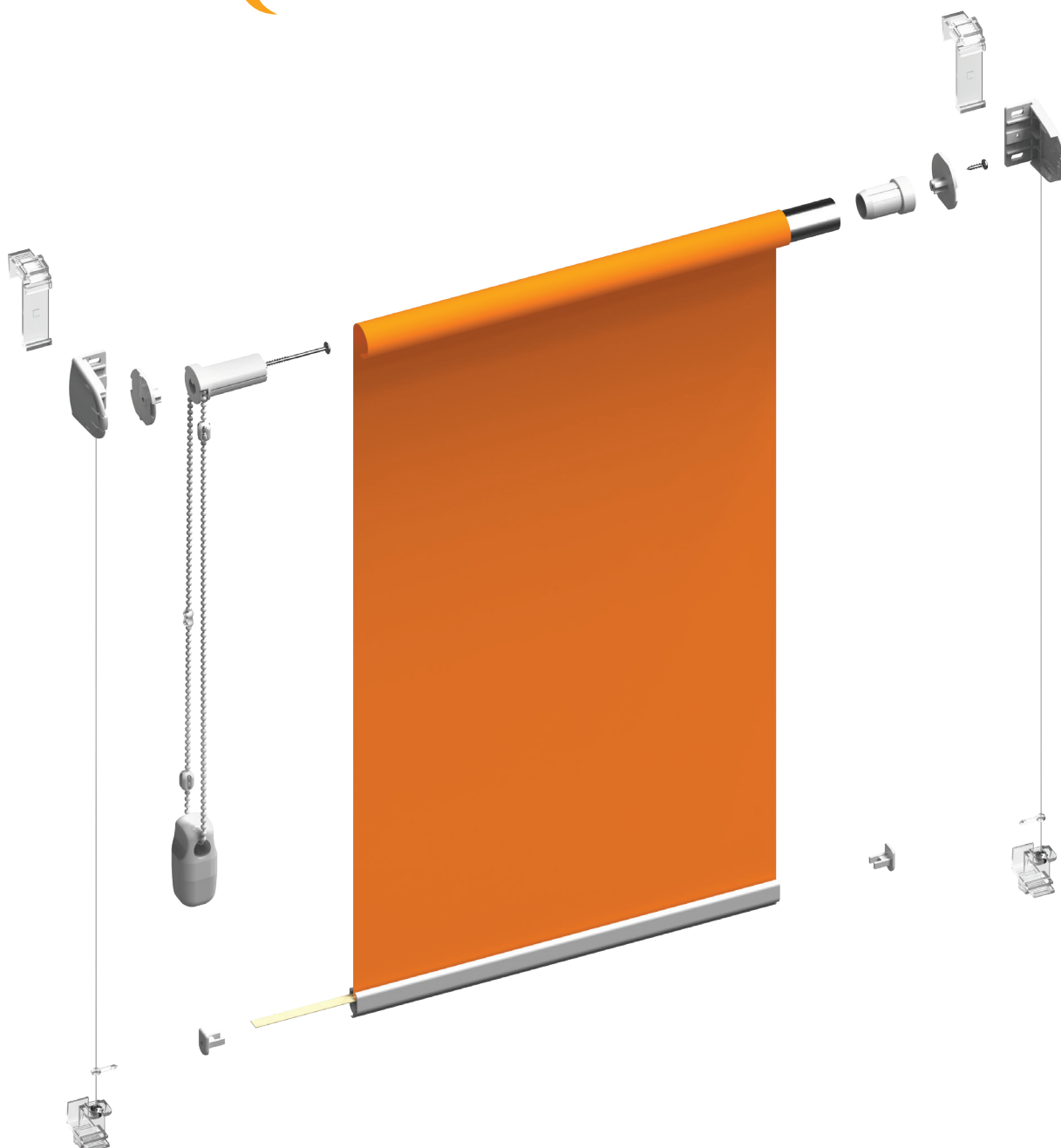
Dimensions	8 - 9
Fixing Brackets	10 - 11
Control	12
Guide wire system	14 - 15

# RM 18 Roller Blind – dimensions

	max. width	max. height	max. total surface area
RM 18	1400 mm	2200 mm*	3,08 m <sup>2</sup>

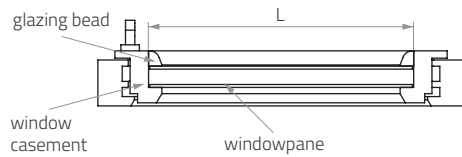
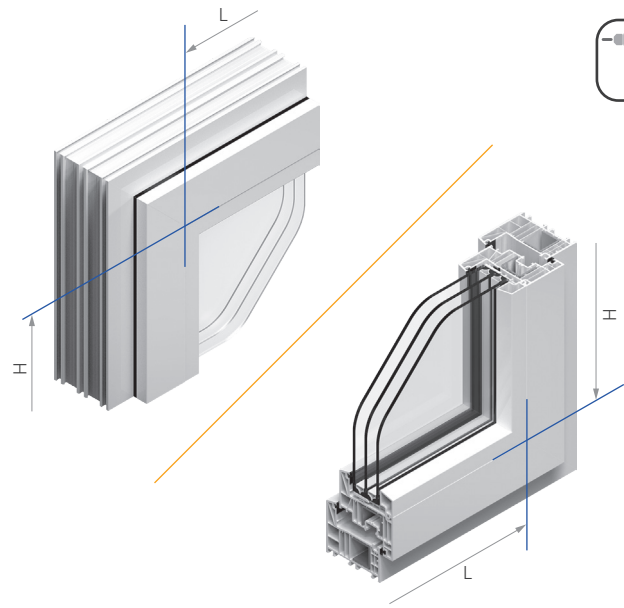
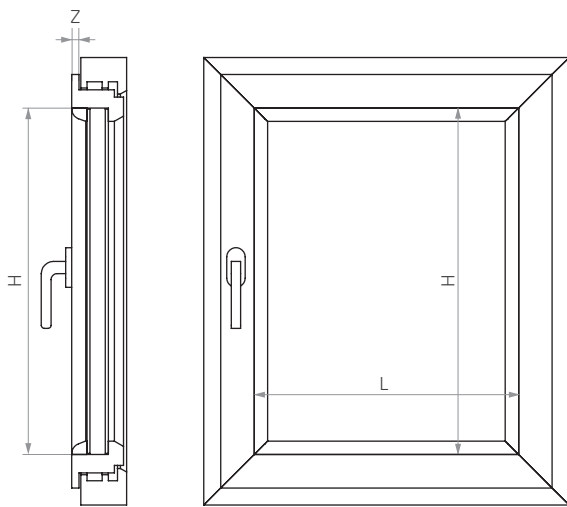


\* Max. height of the roller blind depends on the thickness of the fabric used.



# RM 18 Roller Blind – dimensions

## Mounting with screws



**Width L and height H** - the distance between the outer edges of the glazing bead.

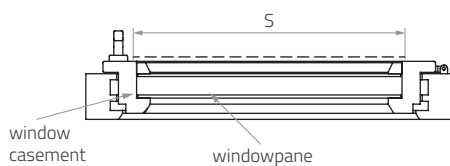
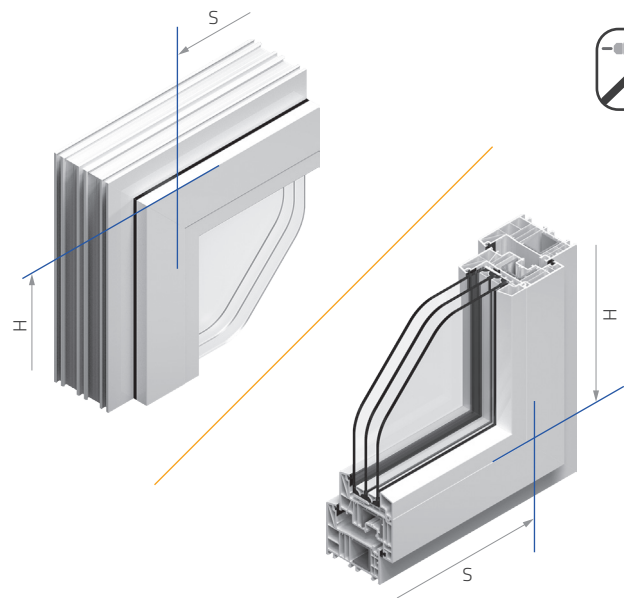
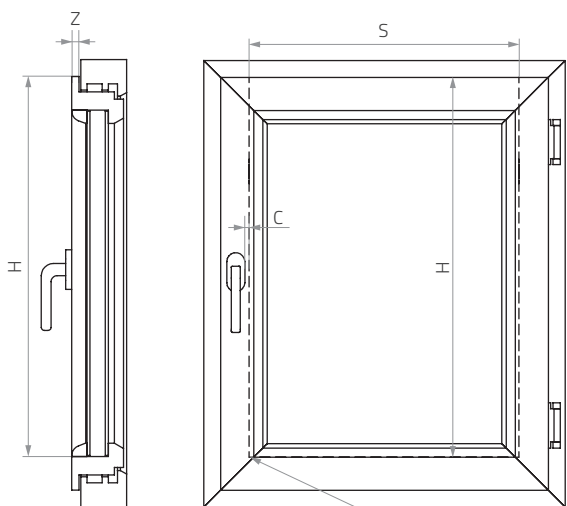


**Fabric width** is 4 mm narrower than width L.

**Overall width** is 22 mm wider than width L.

**Overall width** is 26 mm wider than fabric width.

## Mounting without screws



**S (width)** - width of fabric.

**H (height)** - the distance between the upper edge of the window casement and the point of junction between the glazing bead and window casement at the bottom (horizontal orientation).



**C** - the distance between fabric edge and window handle (should be no less than 10 mm).

**Z** - the range of installation possibilities of top and bottom brackets.

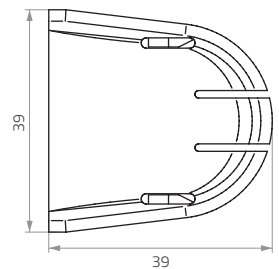
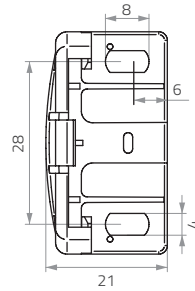
**Overall width** is 26 mm wider than fabric width.

# RM 18 Roller Blind – fixing components



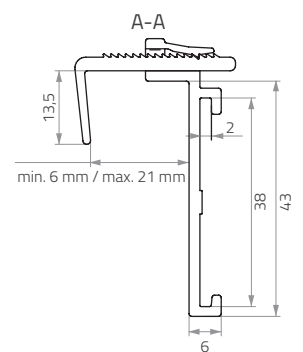
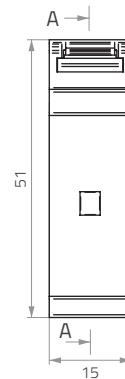
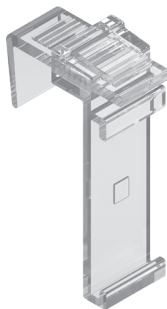
The blue colour of brackets is for reference only.

## Mounting with screws

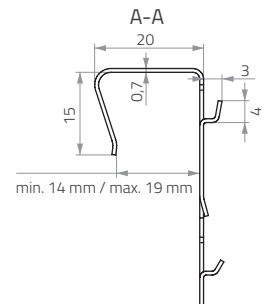
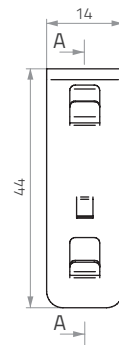


If screws are used when mounting, the roller blind can be fixed to the ceiling.

## Top bracket A (PVC)

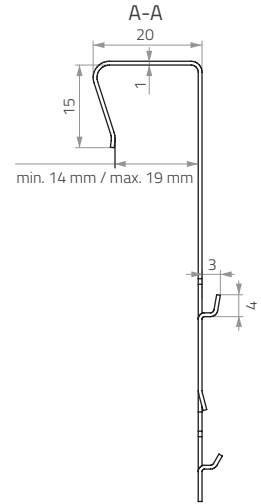
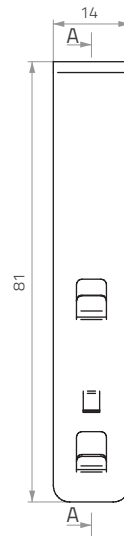
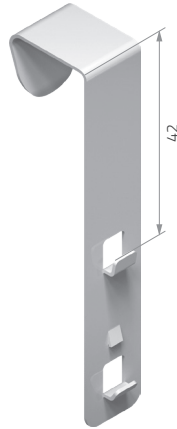


## Top bracket B (metal)

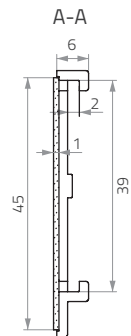
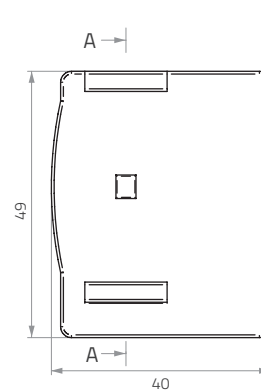


# RM 18 Roller Blind – fixing components

## Top bracket C (metal)



## Top bracket D (PVC)

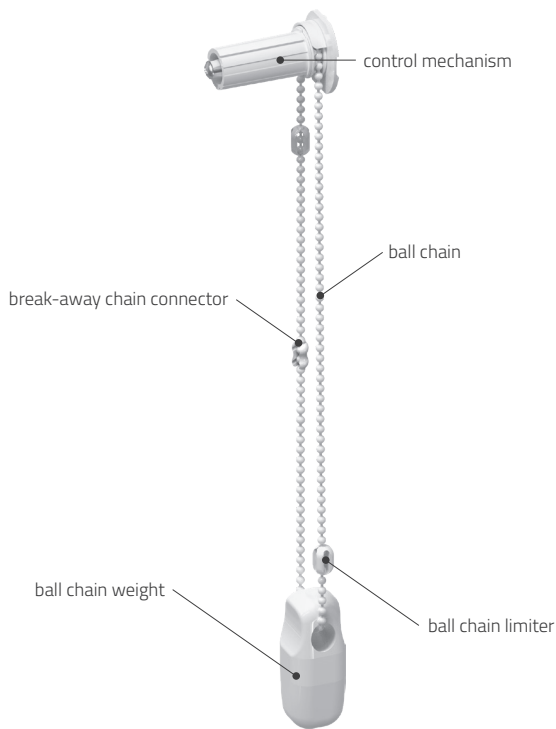


	Top bracket A	Top bracket B	Bottom bracket C	Bottom bracket D	
Colour of mechanism	white	transparent	white	white	
	ivory		cream	cream	
	light brown		light brown	light brown	
	grey		grey	grey	
	anthracite		anthracite	black	anthracite
	black		black	black	black
	walnut (print)		light brown	light brown	light brown
	golden oak (print)		RAL 8003	RAL 8003	golden oak

the model of the window on this page:  System Brüggmann bluEvolution: 82 AD

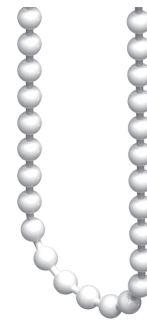
# RM 18 roller blind – operation

## Ball chain mechanism



## Types of ball chain

### PVC ball chain



ball diameter: 3,2 mm

break-away chain connector (PVC ball chain component) is fully compliant with PN-EN 13120:2014+A1 safety standard

### metal ball chain (optional)

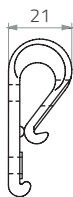
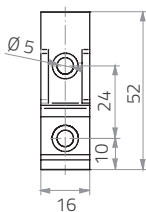
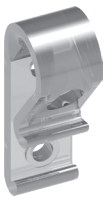


ball diameter: 3,2 mm

safety cleat (used in metal ball chain) is fully compliant with PN-EN 13120:2014+A1 safety standard

## Safety cleat

used in metal ball chain



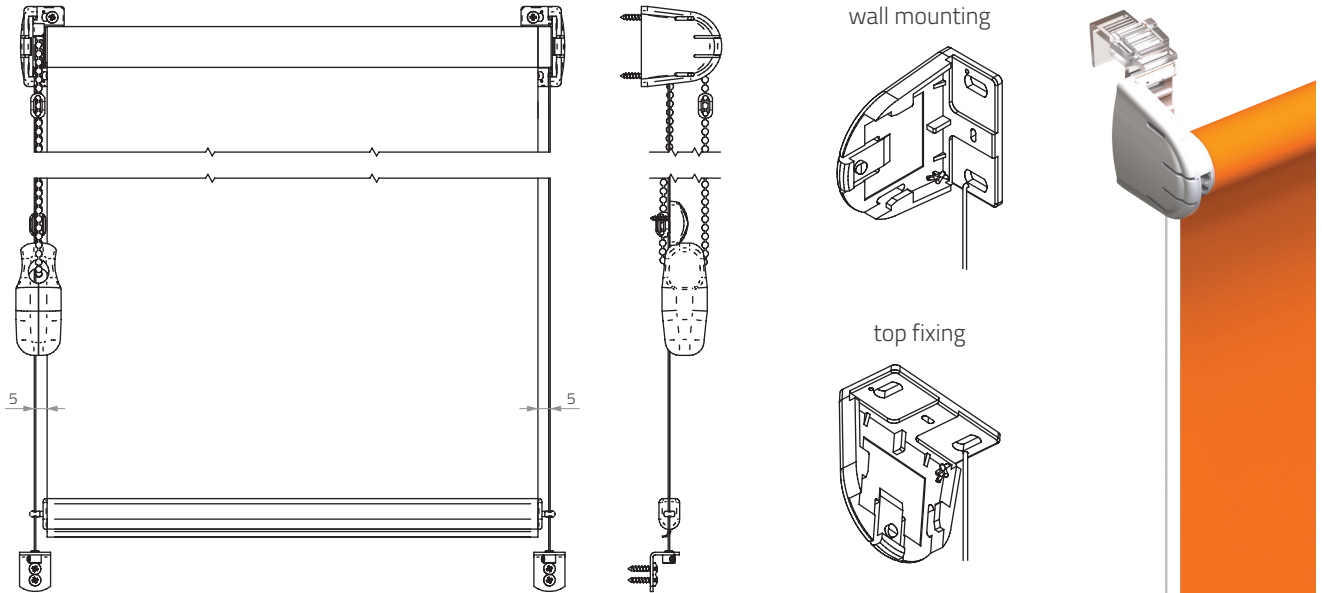
colours available: white / ivory / light brown / grey / anthracite / black / golden oak (print) / walnut (print)



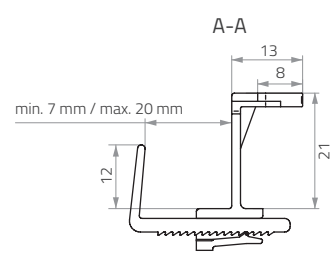
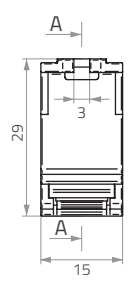
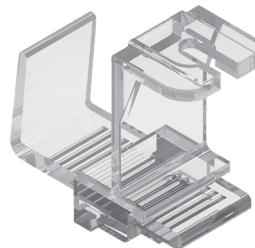
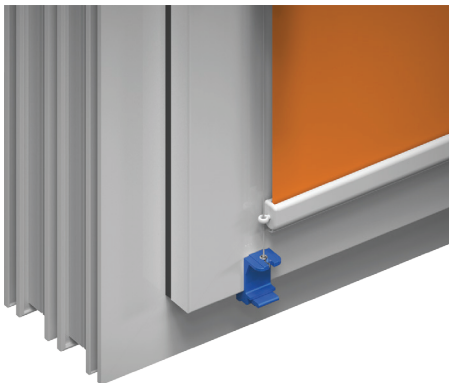


# RM 18 Guide Wire System

## Mounting the Guide Wire System



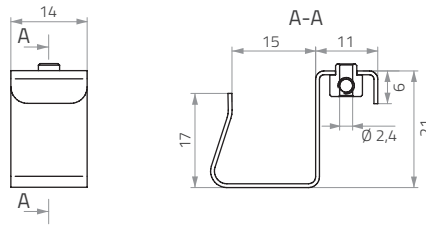
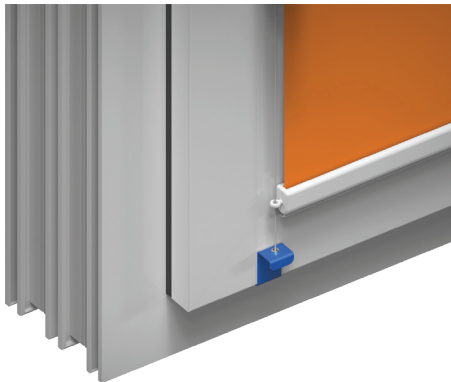
## Bottom bracket A (PVC)



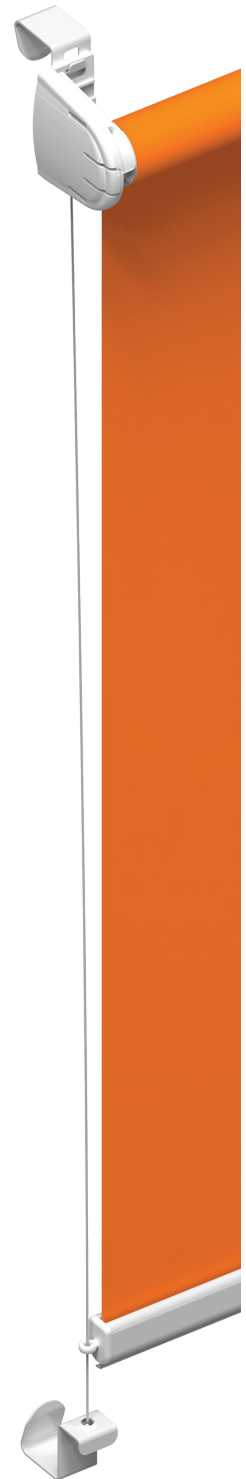
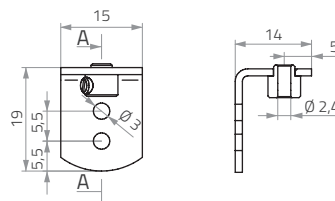
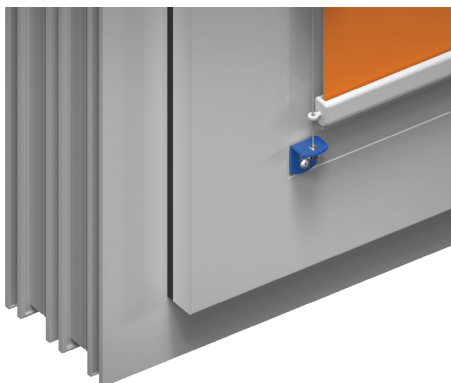
Blue colour of brackets is for reference only.

# RM 18 Guide Wire System

## Bottom bracket B (metal)



## Bottom bracket C (metal)



	bottom bracket A	bottom bracket B	bottom bracket C
Colour of mechanism	white	white	white
	ivory	cream	brown
	light brown	light brown	brown
	grey	grey	white
	anthracite	black	brown
	black	black	brown
	walnut (print)	light brown	brown
	golden oak (print)	RAL 8003	brown

RM 32



---

## RM 32

---

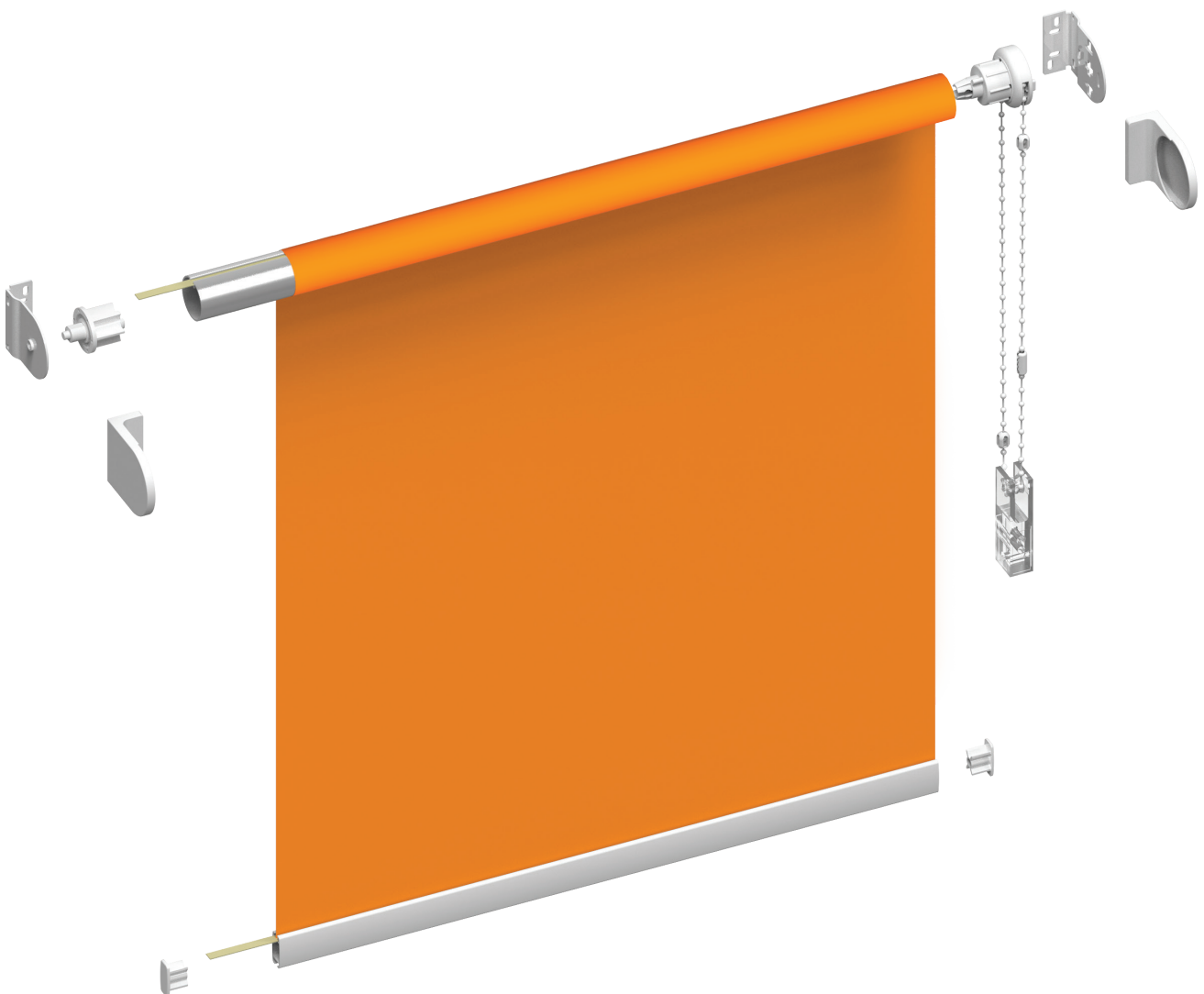
Dimensions	18 - 19
Fixing brackets	20 - 25
Closed cassette	26
Cassette fixing brackets	27
Control	28 - 29
Motors and control	30 - 31
Guide wire system	32 - 33

# System RM 32 Roller Blind System – dimensions

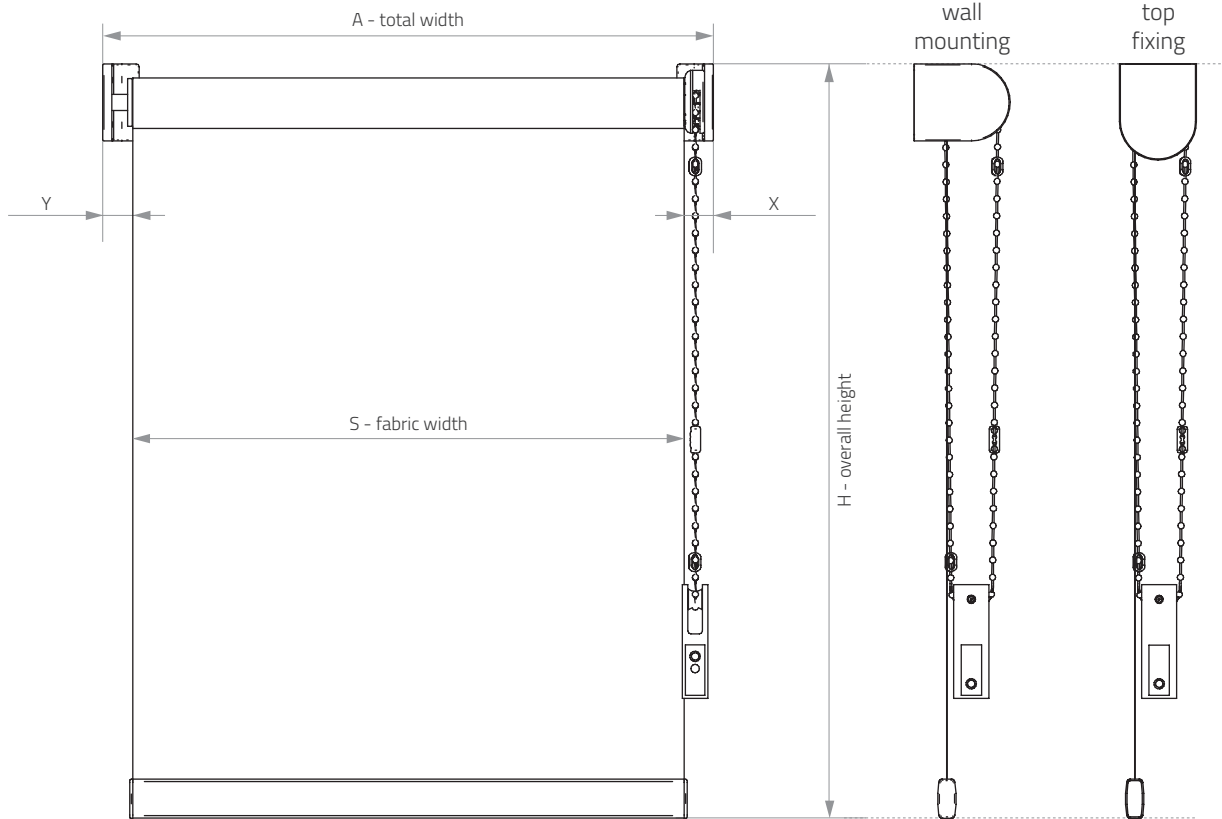
	max. width	max. height	max. total surface area
RM 32 PVC	2000 mm	3000 mm*	6 m <sup>2</sup>
RM 32	2200 mm	3000 mm*	6,6 m <sup>2</sup>



\* Max. height of the roller blind depends on thickness of the fabric used.



# System RM 32 Roller Blind System – dimensions



Depending on measurements taken, the client provides one width dimension only (A or S).

## The difference between overall width and fabric width

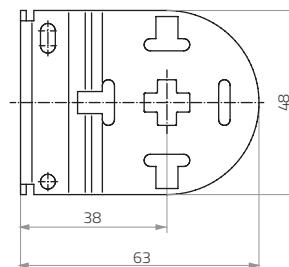
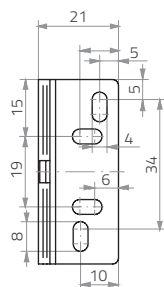
	RM 32 – manual	RM 32 – motorised
<b>TOTAL</b>	<b>35 mm</b>	<b>40 mm</b>
Control End <b>X</b>	21 mm	26 mm
Idle End <b>Y</b>	14 mm	14 mm

# RM 32 – fixing brackets

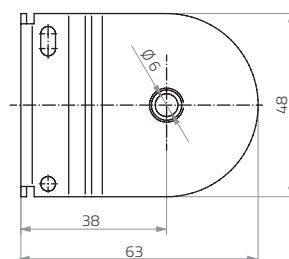
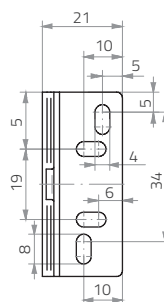
## Metal bracket



control end



idle end



colours available: white, cream, brown, grey, anthracite, black

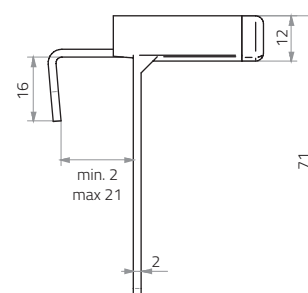
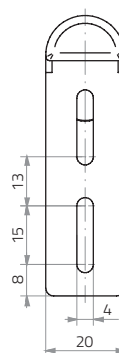
## Non-invasive bracket



control side



idle side



RM 32 PVC bracket	RM 32 metal bracket	RM 32 mounting profile	RM 32 closed cassette
✓	✓		

colour available: white



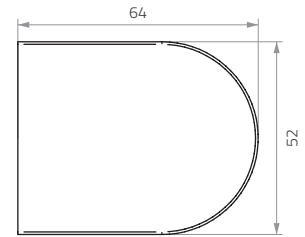
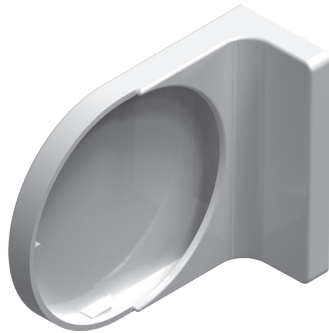
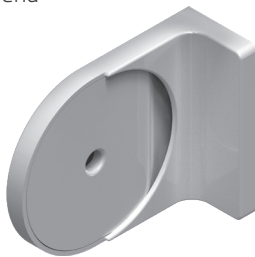
# RM 32 – fixing brackets

## Bracket cover type 1

control end



idle end

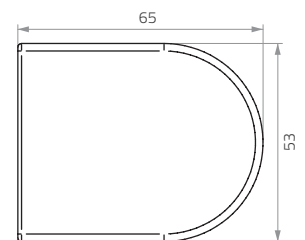


## Bracket cover type 2

control end



idle end



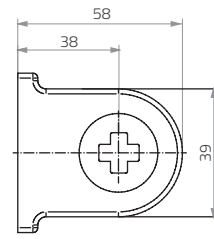
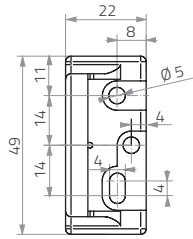
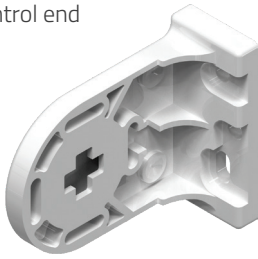
	PVC bracket	Metal bracket	Metal bracket + side guide	Extension bracket	PVC bracket + Non-invasive bracket	Metal bracket + Non-invasive bracket
Bracket cover type 1	not available	✓		not available	not available	✓
Bracket cover type 2	not available		✓	not available	not available	

# RM 32 – fixing brackets

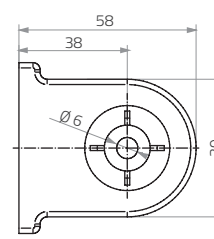
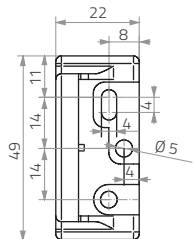
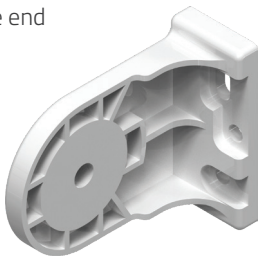
## PVC bracket



control end



idle end



colour available: white

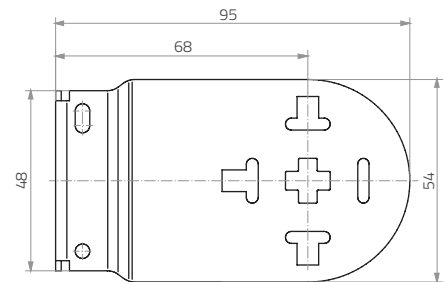
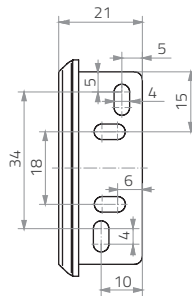
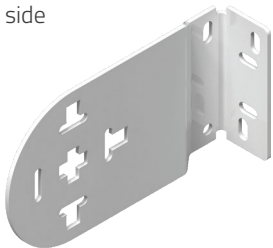
## Extension bracket



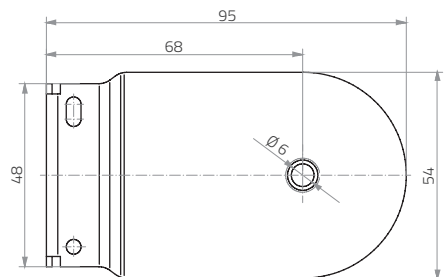
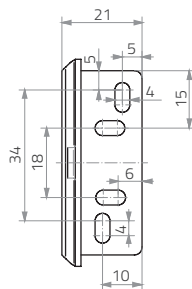
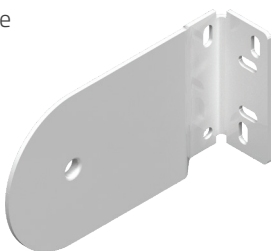
Please note: extension brackets do not come with covers.



control side



idle side



colour available: white



# RM 32 – fixing components

## Mounting profile

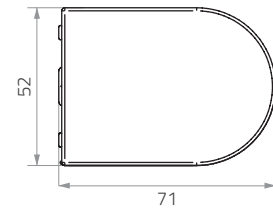
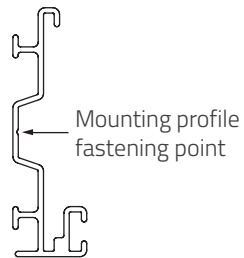
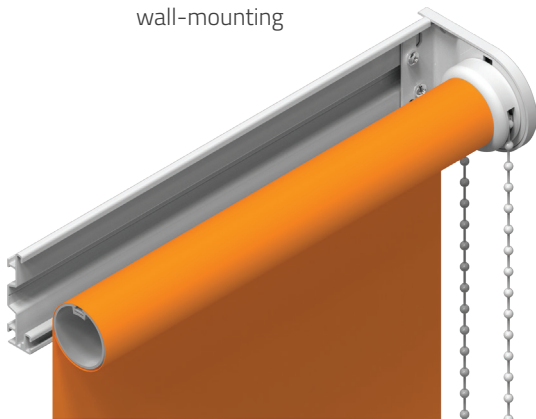


Please note: mounting plate is used with metal bracket only.

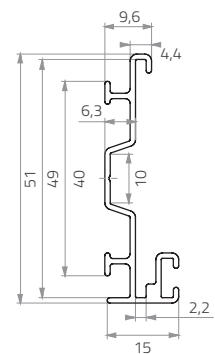
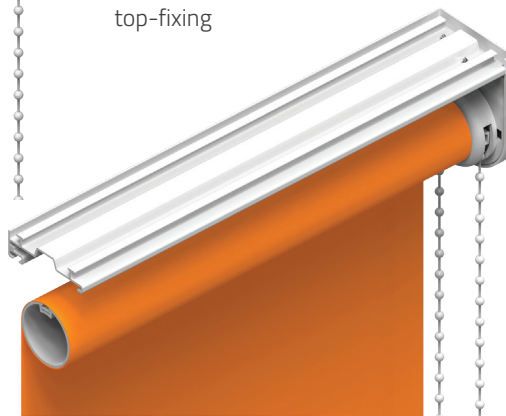
Three ways of mounting the roller blind on the mounting profile:

mounting profile fixed with screws:

wall-mounting

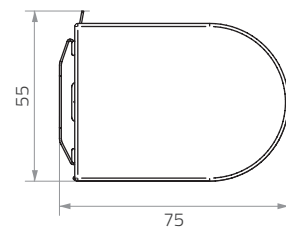
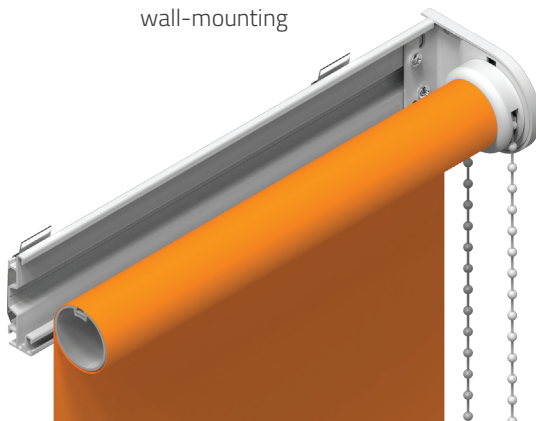


top-fixing

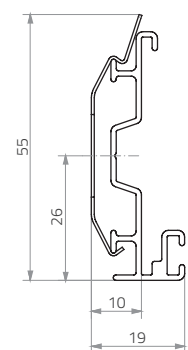
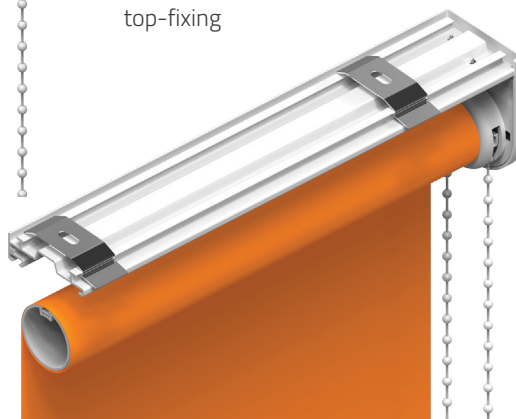


clip-fixed mounting profile:

wall-mounting



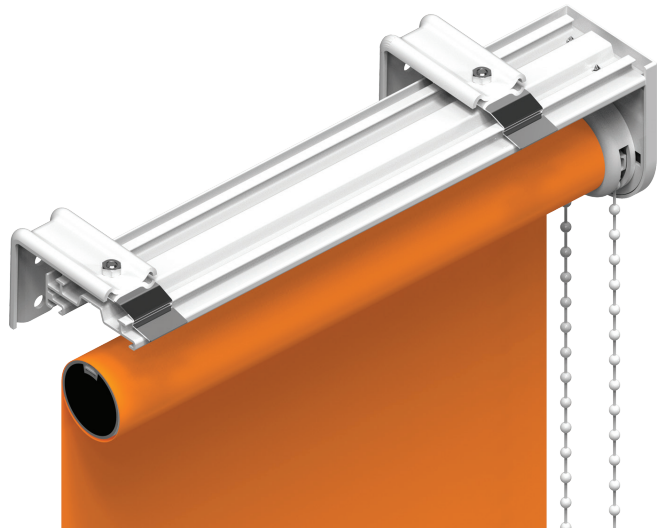
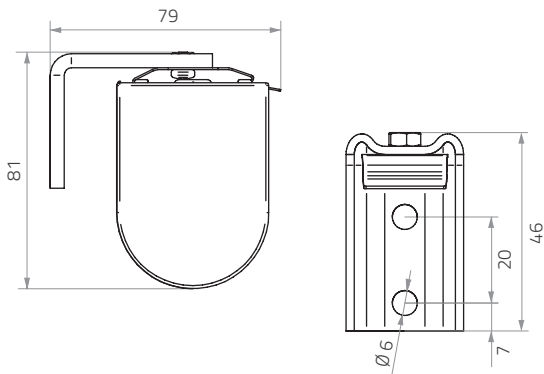
top-fixing



clip

# RM 32 – fixing components

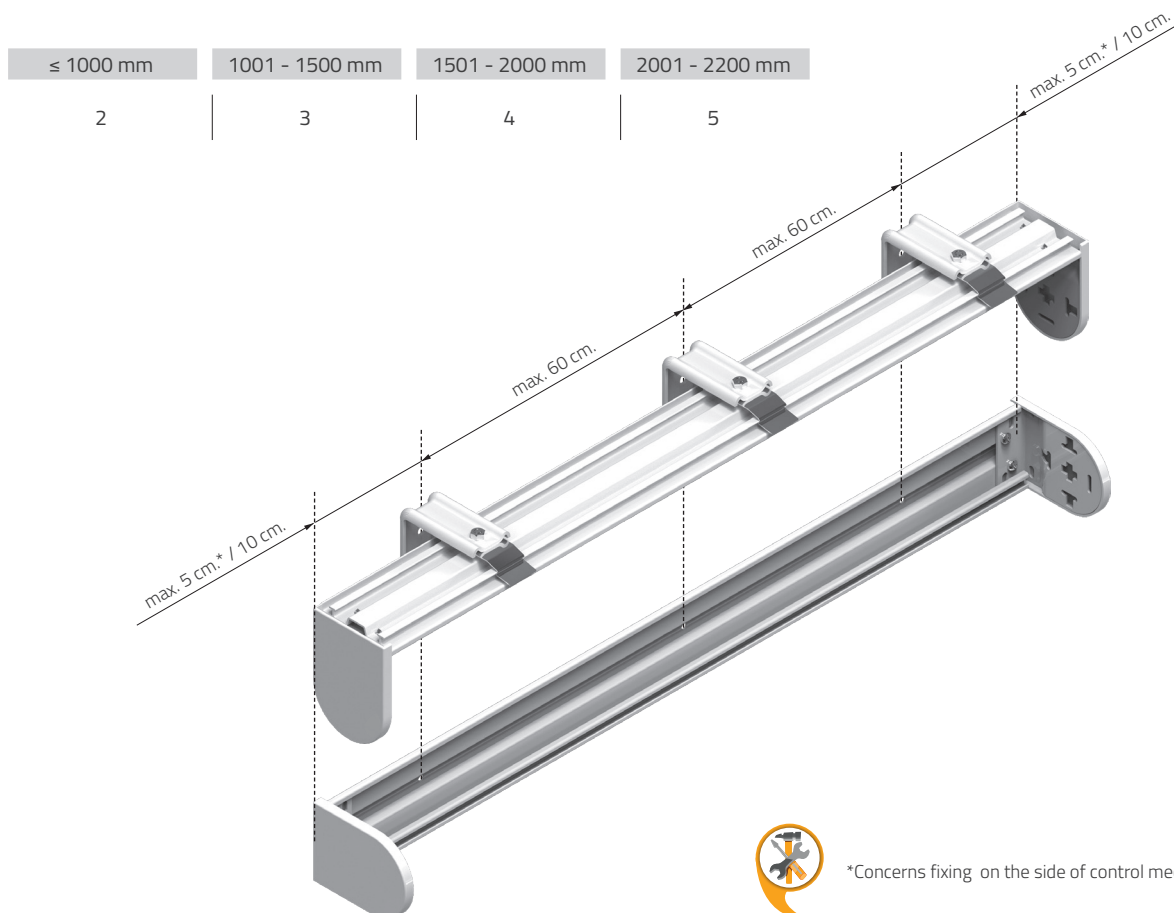
wall bracket-fixed mounting profile



Please note: only zinc-coated mounting profile clips are available.

colours available: white, cream, brown, grey, silver anode, anthracite, black, any other RAL colour

## Recommended number of brackets / fixing points in blinds of different width



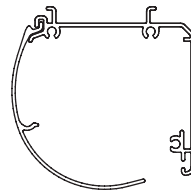
\*Concerns fixing on the side of control mechanism only.

# RM 32 Roller Blind - closed cassette

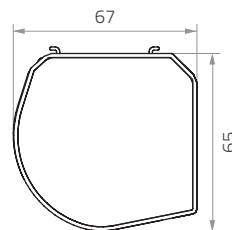
Closed cassette



Cassette cross section



Cassette with side cover - cross section



Ball chain mechanism

white, cream, brown, grey, silver anode, anthracite, black, any other RAL colour

Spring mechanism

white

N1 battery-powered electric drive

white, cream, brown, grey, silver anode, anthracite, black, any other RAL colour

N5 electric drive

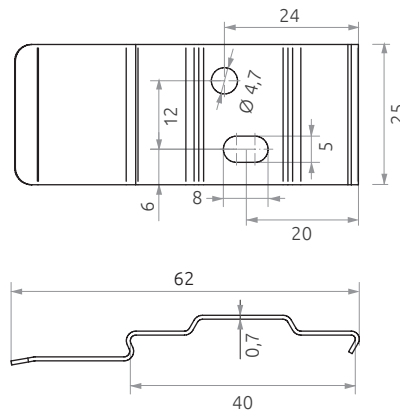
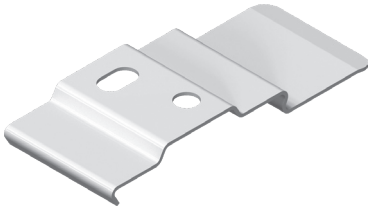
white, cream, brown, grey, silver anode, anthracite, black, any other RAL colour

# RM 32 Roller Blind system – cassette fixing components



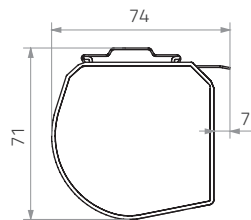
Fixing brackets available for all types of cassettes

## Clip bracket (top fixing)

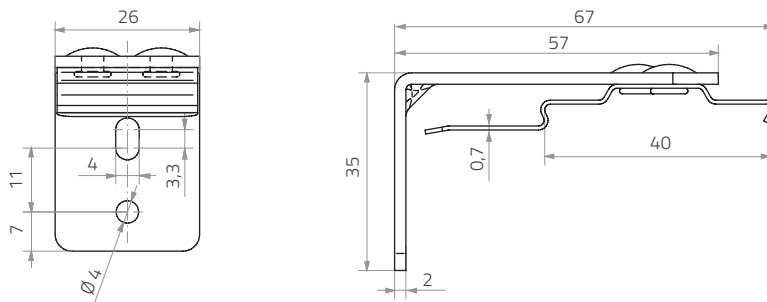
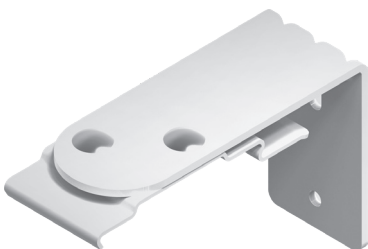


colours available: white, cream, brown, galvanized, anthracite, black, any other RAL colour.

Closed cassette

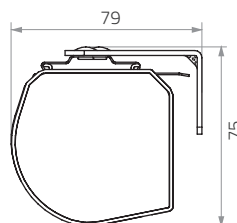


## Clip angle bracket (wall mounting)



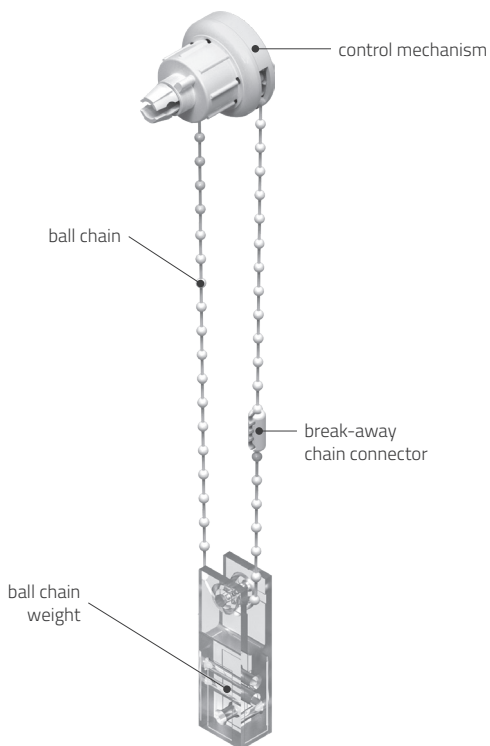
colours available: white, cream, brown, galvanized, anthracite, black, any other RAL colour.

Closed cassette



# RM 32 roller blind – operation

## Ball chain mechanism



## Types of ball chain

### PVC ball chain



ball diameter: 4,5 mm



PVC ball chain is fitted with a break away chain connector (safety feature, fully compliant with PN-EN 13120:2014+A1 safety standard).

### metal ball chain (optional feature)

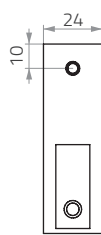
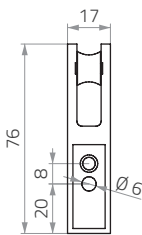


ball diameter: 4.5 mm



Metal ball chain is fitted with a safety cleat (safety feature, fully compliant with PN-EN 13120:2014+A1 safety standard).

## Safety cleat



### Ball chain weight / safety cleat

When used with a break-away chain connector, safety cleat functions as ball chain weight (no need to fasten it to wood joinery/wall).

Coupled with looped ball chain and fastened to wood joinery / wall, the component functions as safety cleat.

COLOUR	RM 32 PVC bracket	RM 32 metal bracket	RM 32 mounting profile	RM 32 closed cassette
white	✓	✓	✓	✓
cream		✓	✓	✓
brown		✓	✓	✓
silver anode			✓	✓
grey		✓	✓	✓
anthracite		✓	✓	✓
black		✓	✓	✓
any RAL colour			✓	✓



# RM 32 roller blind – operation

## Spring mechanism

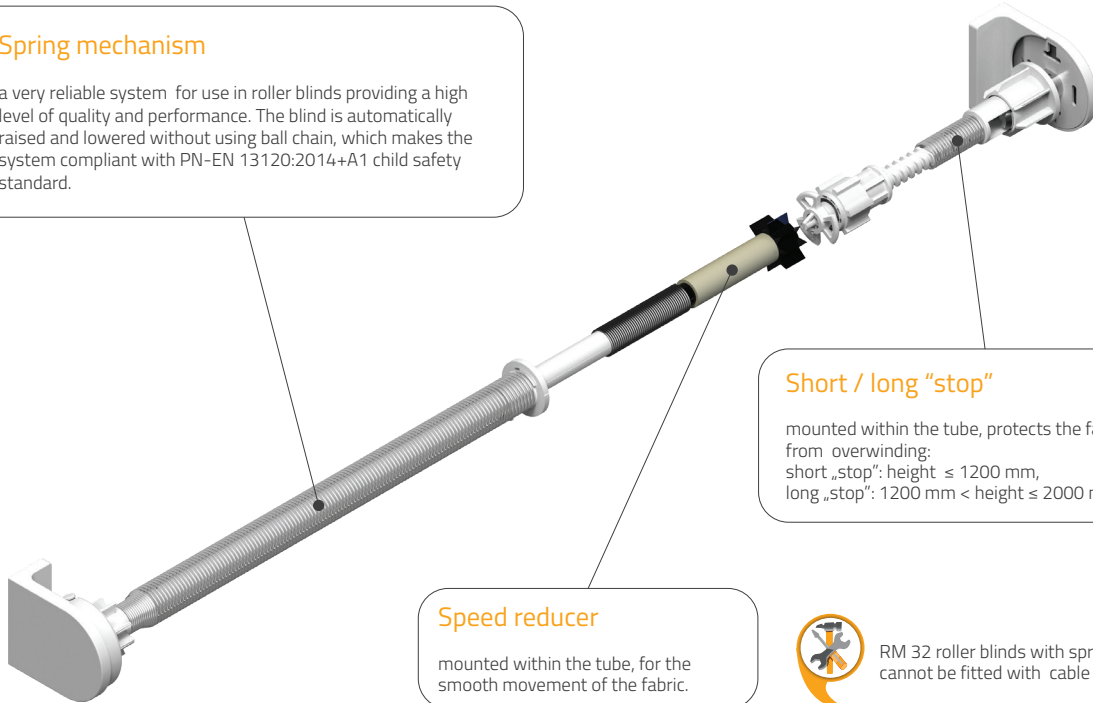


Maximum **height** of a roller blind with spring mechanism is 2000 mm.

Minimum **width** of a roller blind with spring mechanism is 700 mm.

### Spring mechanism

a very reliable system for use in roller blinds providing a high level of quality and performance. The blind is automatically raised and lowered without using ball chain, which makes the system compliant with PN-EN 13120:2014+A1 child safety standard.



### Short / long "stop"

mounted within the tube, protects the fabric from overwinding:  
 short „stop“: height ≤ 1200 mm,  
 long „stop“: 1200 mm < height ≤ 2000 mm.

### Speed reducer

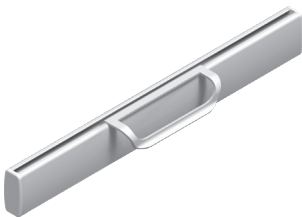
mounted within the tube, for the smooth movement of the fabric.



RM 32 roller blinds with spring mechanism cannot be fitted with cable guide.

## Bottom bar – cords and handles

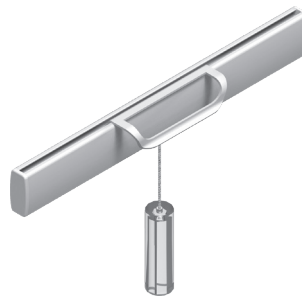
handle



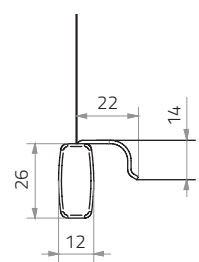
pull cord



handle + pull cord



handle dimensions



Bottom bar handle available in white only.



According to the requirements of PN-EN 13120:2014+A1 standard, the length of the pull cord should not exceed 20 cm.

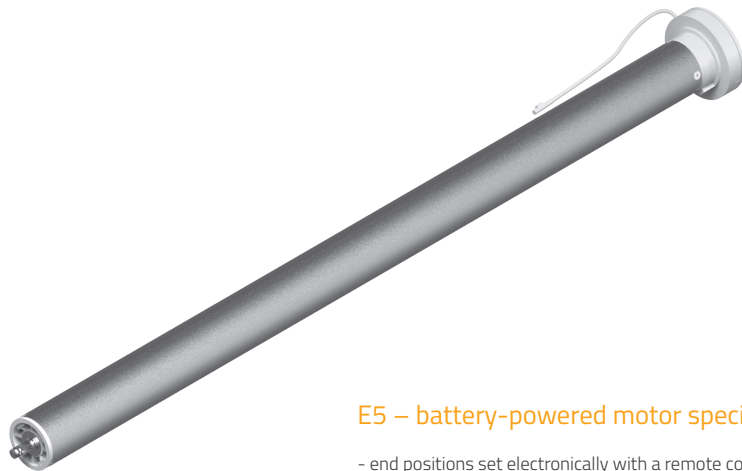
	RM 32 PVC bracket	RM 32 metal bracket	RM 32 mounting profile	RM 32 closed cassette
white	not applicable	✓	✓	✓

# RM 32 – motors and control

## E5 – battery-operated, radio-controlled motor



Motor parameters	
torque	1,1 Nm
RPM	40 rpm
motor diameter	25 mm
voltage	DC 12 V
power	1,13 W
amperage	1,13 A
IP class	IP 44
inbuilt receiver	✓
radio frequency	433 MHz



### E5 – battery-powered motor specification

- end positions set electronically with a remote control
- inbuilt receiver
- compatible with series ONE remote controls
- dedicated for 35mm roller tube
- min. width of the roller blind – 530 mm
- battery-powered (Li-ion battery built into the housing)
- easy mount – no need for power supply cable
- low power consumption results in extended operating time



### E5 battery-powered motor charger



Length of cable: 3 mb

### ONE series remote controls

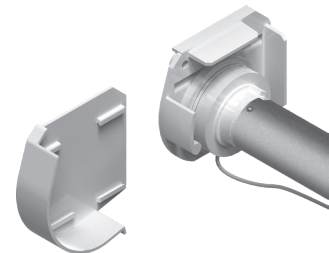


ONE X1  
5-channel

ONE X2  
15-channel

ONE X4  
30-channel

Retractable side cover protection allows charging the motor without opening its cassette (concerns RM 32 closed cassette system **only**). The motor is mounted on the left side of the roller blind **only**.



COLOUR	RM 32 PVC bracket	RM 32 metal bracket	RM 32 mounting profile	RM 32 closed cassette
white	not available	✓	✓	✓
cream		✓	✓	✓
brown		✓	✓	✓
silver anode		✓	✓	✓
grey		✓	✓	✓
anthracite		✓	✓	✓
black		✓	✓	✓
any RAL		✓	✓	✓

# RM 32 – motors and control

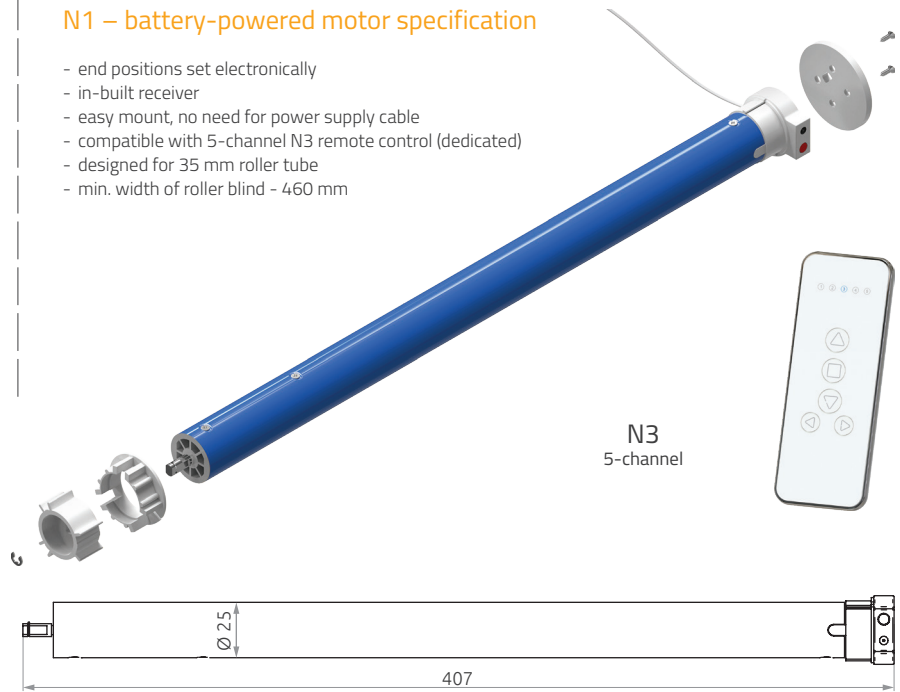
## N1 – battery-operated, radio-controlled motor



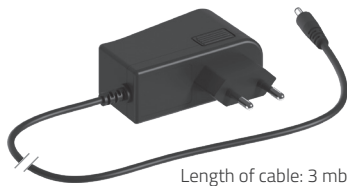
Motor parameters	
torque	1,1 Nm
RPM	25 rpm
motor diameter	25 mm
voltage	DC 7 V
power	2 W
amperage	8 A
IP class	IP 40
inbuilt receiver	✓
radio frequency	433 MHz

### N1 – battery-powered motor specification

- end positions set electronically
- in-built receiver
- easy mount, no need for power supply cable
- compatible with 5-channel N3 remote control (dedicated)
- designed for 35 mm roller tube
- min. width of roller blind - 460 mm



### N1 powered motor charger



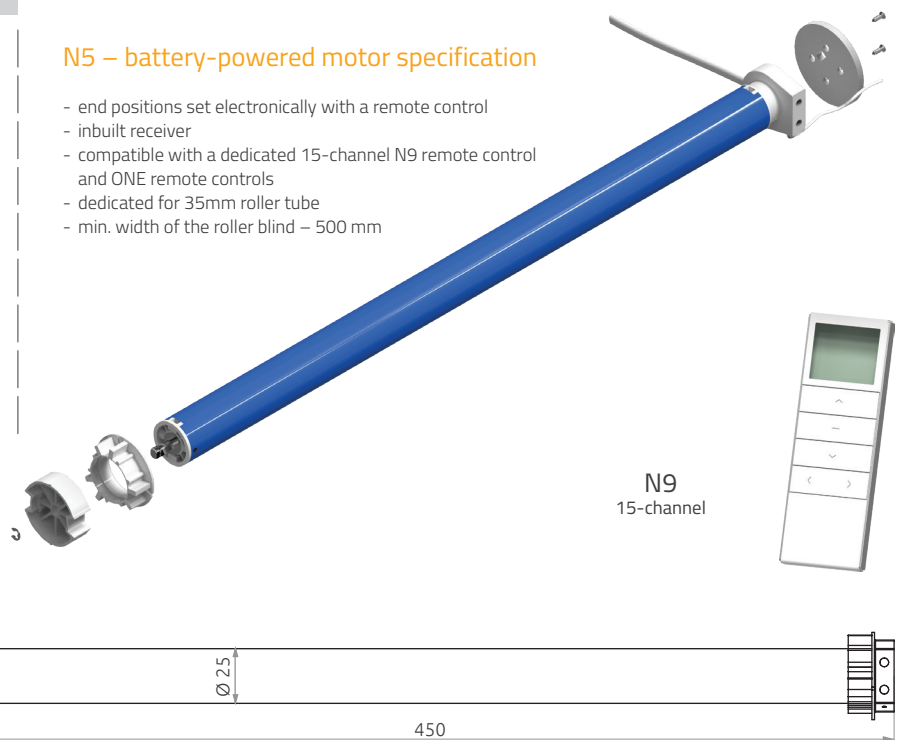
## N5 – radio-controlled electric drive



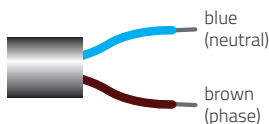
Motor parameters	
torque	1,5 Nm
RPM	32 rpm
motor diameter	25 mm
voltage	230 V
power	13,9 W
amperage	0,13 A
IP class	IP 44
inbuilt receiver	✓
radio frequency	433 MHz

### N5 – battery-powered motor specification

- end positions set electronically with a remote control
- inbuilt receiver
- compatible with a dedicated 15-channel N9 remote control and ONE remote controls
- dedicated for 35mm roller tube
- min. width of the roller blind – 500 mm



### Connection scheme



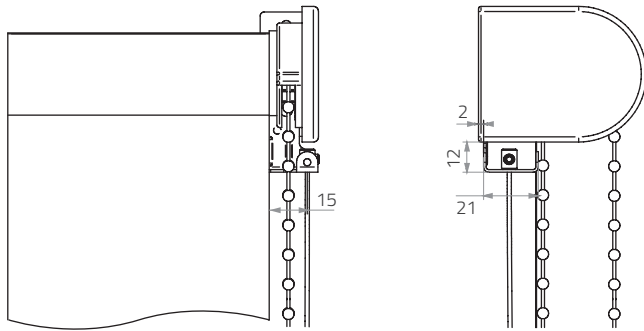
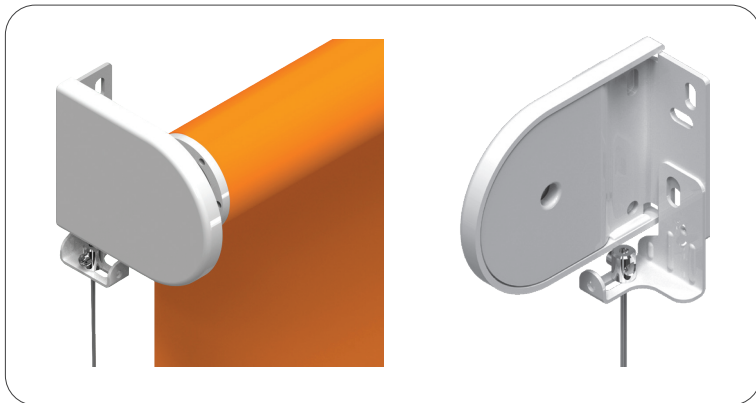
length of cable: 2 m

# RM 32 – cable guide

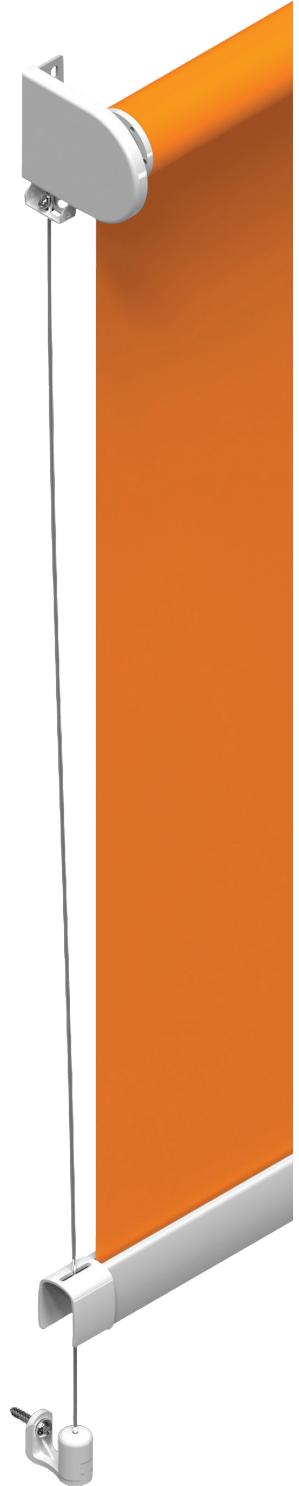
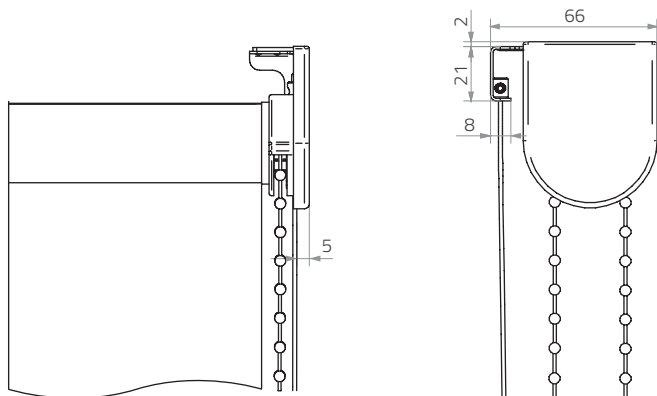
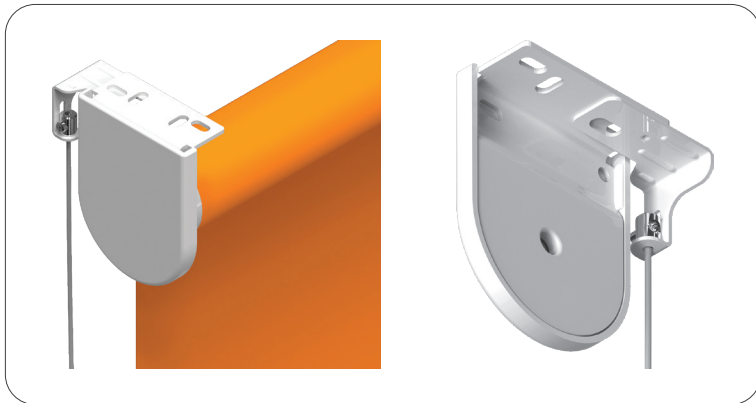
## Fixing guide wire – wall mounting



Guide wire available with RM 32 roller blind with metal bracket only.



## Fixing guide wire – top fixing



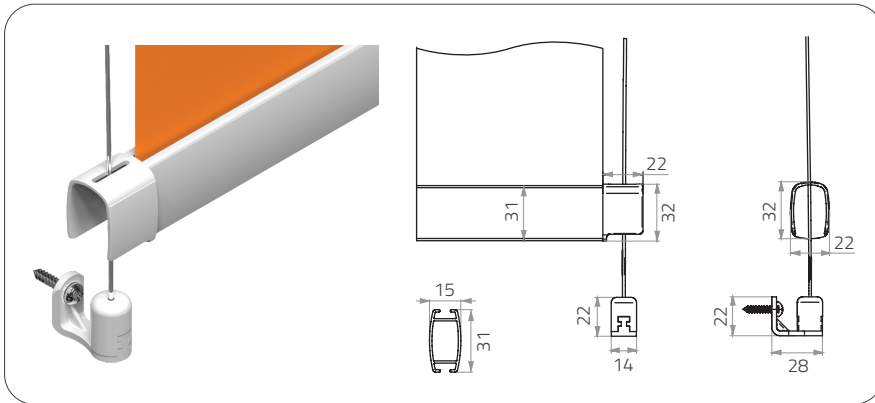
Cord guide brackets available in white only.

# RM 32 – cable guide

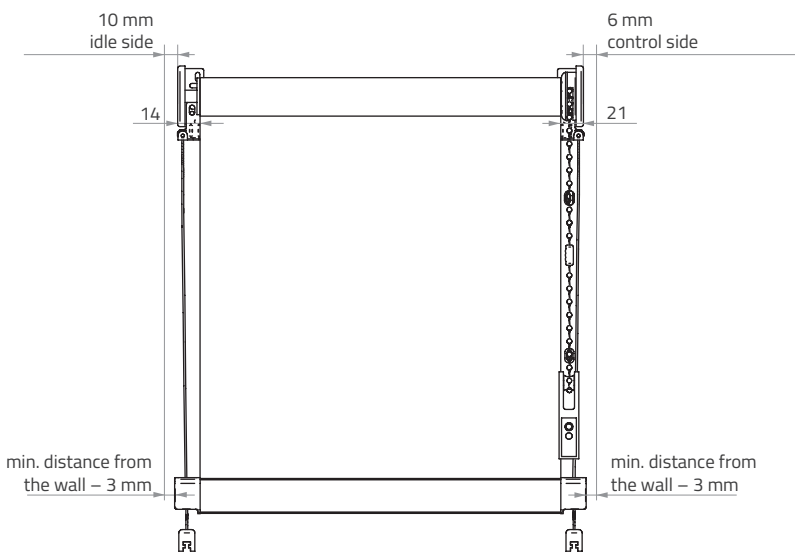
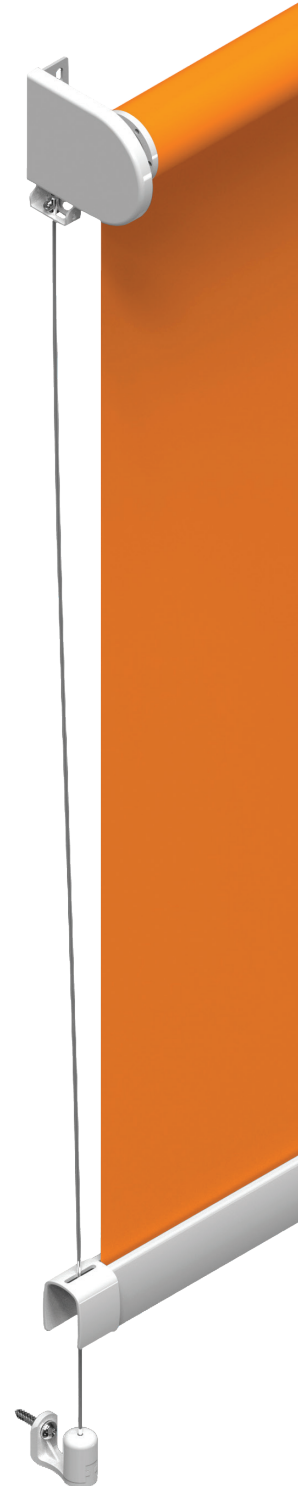
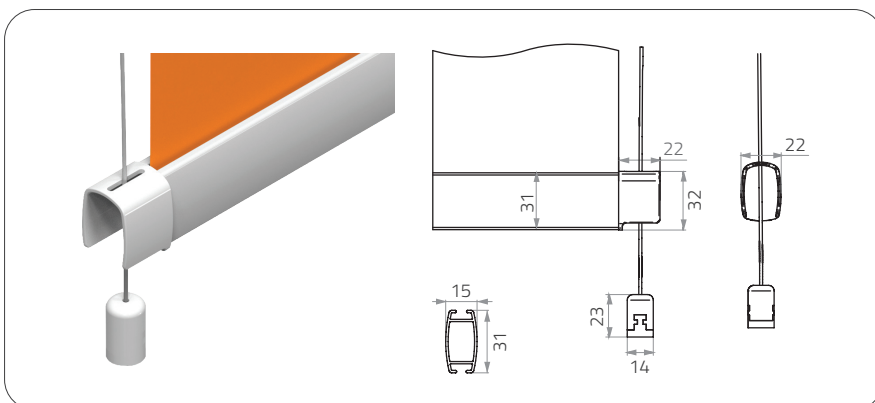
Guide wire bracket (bracket A)  
- wall/window mounting



Steel wire available in 2 options:  
- 1 mm – PVC coated steel wire  
- 1,2 mm – PVC coated stainless steel wire



Guide wire bracket (bracket B)  
- floor/window sill mounting



Please note: bottom bar is 10 mm wider than overall dimension



With cable guide bottom bar/weight dimensions are subject to change.

RM 32 WITH SIDE CHANNELS



---

## RM 32 WITH SIDE CHANNELS

---

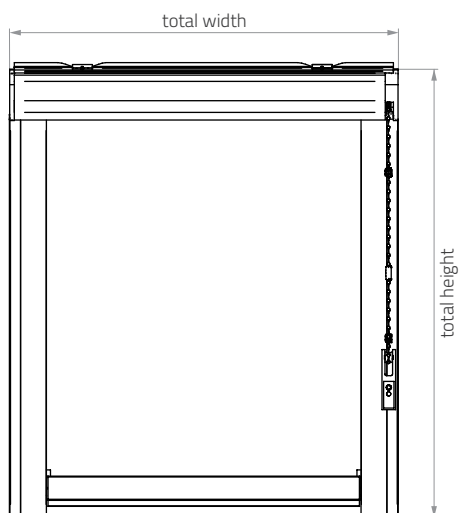
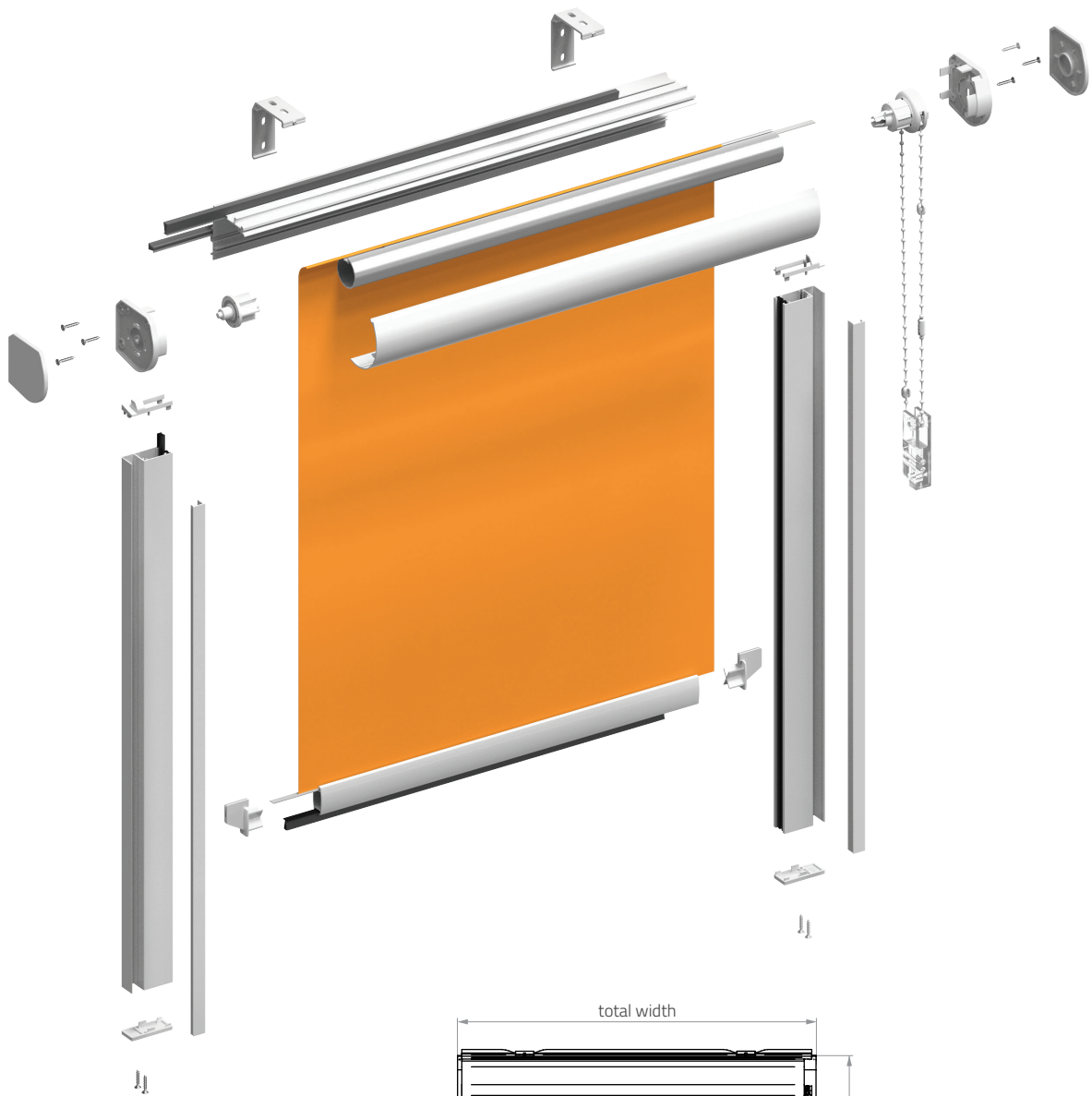
Dimensions	36
Cassette	37
Fixing brackets	37
Side guide	38
Control	39
Motors and control	40 - 41

# RM 32 WITH SIDE CHANNELS – dimensions

	max width	max height	max total surface area
RMP 32	2200 mm	3000 mm*	6,6 m <sup>2</sup>



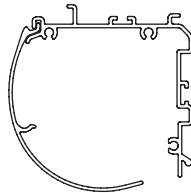
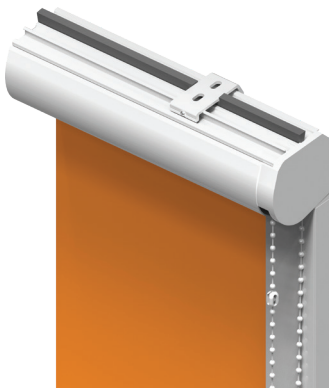
\*Max height of the blind depends on the thickness of the fabric used.



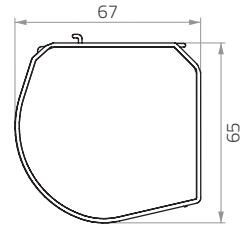


# RM 32 Roller blind with side channels – cassette

## Closed cassette



cassette cross-section

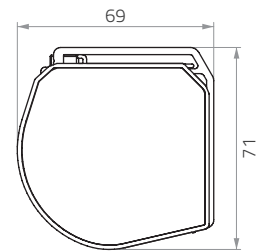
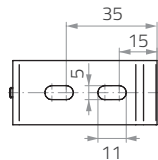
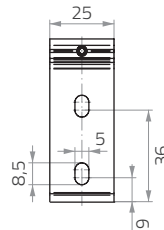
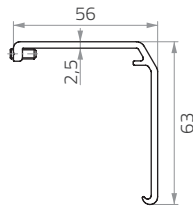


cassette with side cover – cross-section

colours available: white, cream, brown, silver anode, grey, anthracite, black, any RAL colour

# RM 32 Roller blind with side channels – fixing components

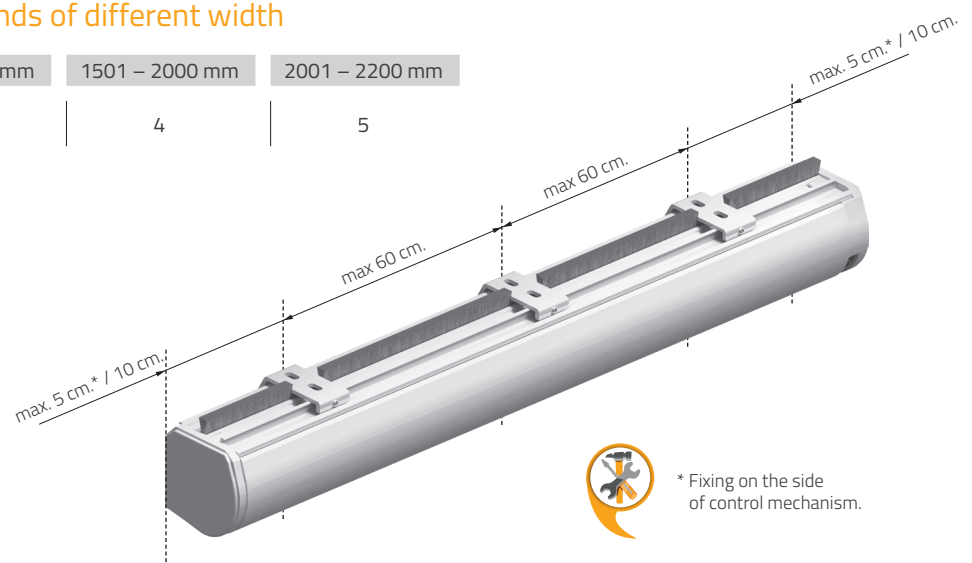
## Angle bracket



Cassette with angle bracket – cross-section

## Number of brackets in blinds of different width

≤ 1000 mm	1001 – 1500 mm	1501 – 2000 mm	2001 – 2200 mm
2	3	4	5



\* Fixing on the side of control mechanism.

# RM 32 Roller blind with side channels – side guide

## Side channel



### Glider for side channel

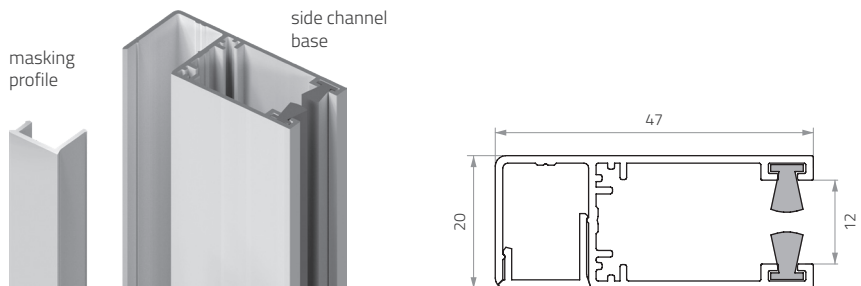
Ensures smooth running of the blind. Protects the fabric from the sharp edges of side channels while aligning it into position so it rolls up evenly into the cassette.

### Brush seal

7,5x5 seal reduces light leaks from the outside to a minimum. Guarantees quiet operation of the blind; its thick texture keeps impurities away from the side channel.

### Side channel

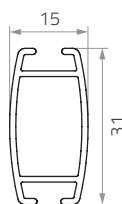
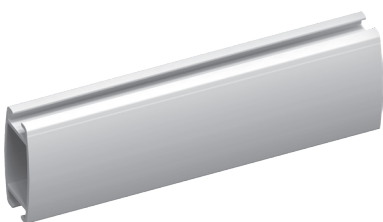
Made of aluminium, consists of two profiles: base and masking profile. Profile mounting chamber allows mounting the side channel onto the frame or the wall using screws while masking profile makes the mount invisible. The wide guiding channel considerably reduces the amount of penetrating light.



### Side channel cap

Made of tough and reliable plastic, available in full range of colours. Fixed to the bottom of the side channels with two screws, it is designed to give the channels an aesthetically pleasing look.

## Bottom bar



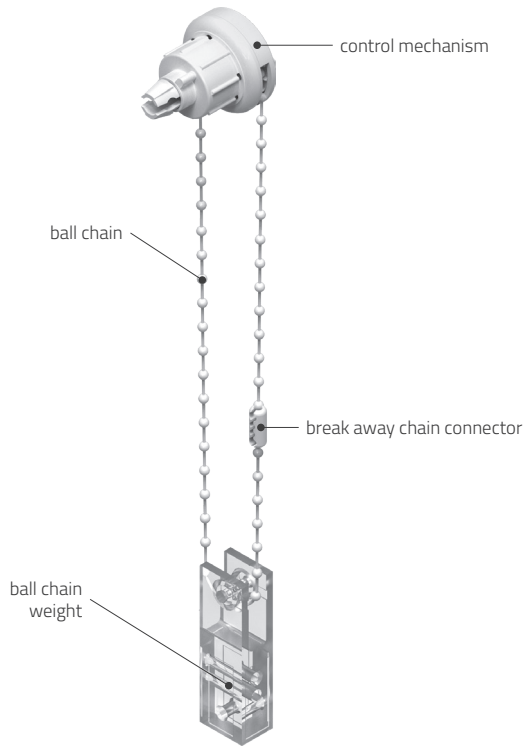
### Specification

- extruded aluminium head rail
- 1,25mm\* thick

\* difference in thickness may depend on coating thickness

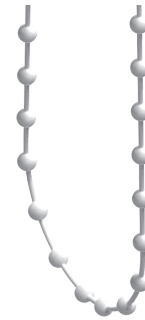
# RM 32 Roller blind with side channels – operation

## Ball chain mechanism



## Types of ball chain

### PVC ball chain



ball diameter: 4,5mm

PVC ball chain is fitted with a break away chain connector (safety feature, fully compliant with PN-EN 13120:2014+A1 safety standard).

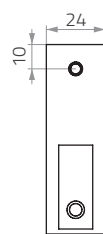
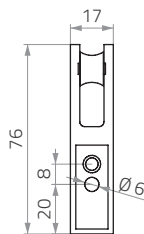
### metal ball chain (optional)



ball diameter: 4,5mm

Metal ball chain is fitted with a safety cleat (safety feature, fully compliant with PN-EN 13120:2014+A1 safety standard).

## Safety cleat



### Ball chain weight / safety cleat

When used with a break-away chain connector, safety cleat functions as ball chain weight (no need to fasten it to wood joinery/wall).

Coupled with looped ball chain and fastened to wood joinery/wall, the component functions as safety cleat.

COLOUR

white  
RAL 9003

cream  
RAL 1013

brown  
RAL 8019

silver anode

grey  
RAL 7035

anthracite  
RAL 7016

black  
RAL 9005

any  
RAL

RMP 32

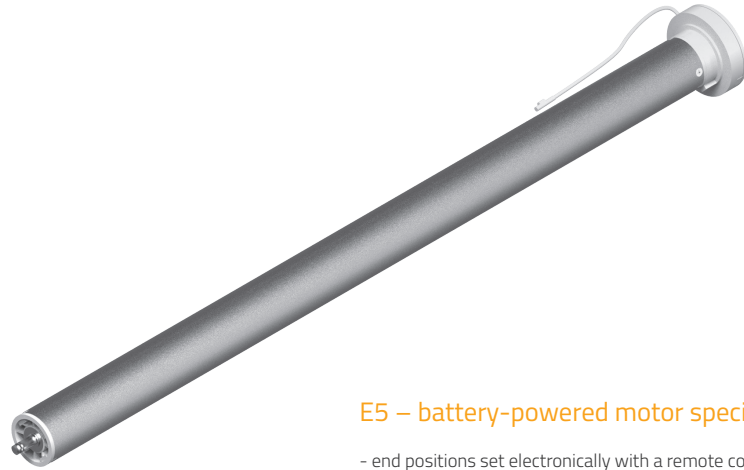


# RM 32 Roller blind with side channels – motors and control

E5 – battery-operated, radio-controlled motor

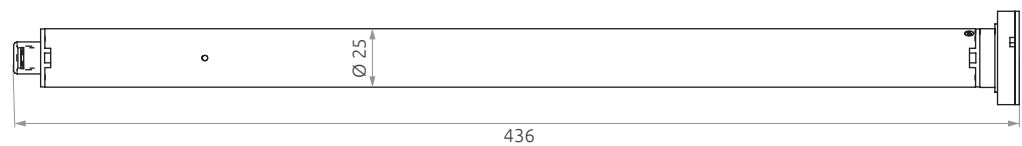


Motor parameters	
torque	1,1 Nm
RPM	40 rpm
motor diameter	25 mm
voltage	DC 12 V
power	1,13 W
amperage	1,13 A
IP class	IP 44
inbuilt receiver	✓
radio frequency	433 MHz



## E5 – battery-powered motor specification

- end positions set electronically with a remote control
- inbuilt receiver
- compatible with series ONE remote controls
- dedicated for 35mm roller tube
- min. width of the roller blind – 530 mm
- battery-powered (Li-ion battery built into the housing)
- easy mount – no need for power supply cable
- low power consumption results in extended operating time



## E5 battery-powered motor charger

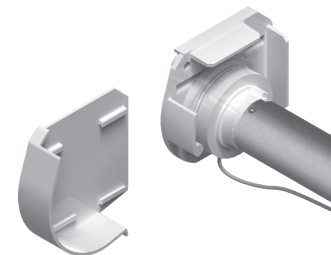


Length of cable: 3 mb

## ONE remote controls



Retractable side cover protection allows charging the motor without opening its cassette (concerns RM 32 closed cassette system **only**). The motor is mounted on the left side of the roller blind **only**.



COLOUR	white RAL 9003	cream RAL 1013	brown RAL 8019	silver anode	grey RAL 7035	anthracite RAL 7016	black RAL 9005	any RAL
RMP 32	✓	✓	✓	✓	✓	✓	✓	✓

# RM 32 Roller blind with side channels – motors and control

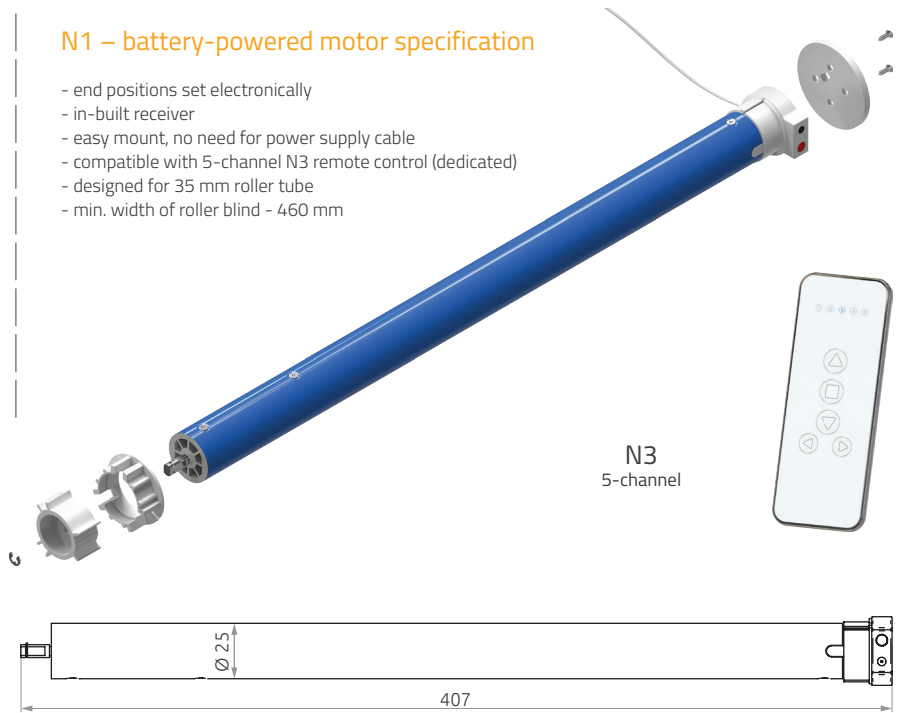
## N1 – battery-operated, radio-controlled motor



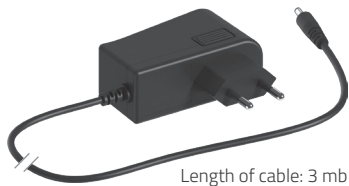
Motor parameters	
torque	1,1 Nm
RPM	25 rpm
motor diameter	25 mm
voltage	DC 7 V
power	2 W
amperage	8 A
IP class	IP 40
inbuilt receiver	✓
radio frequency	433 MHz

### N1 – battery-powered motor specification

- end positions set electronically
- in-built receiver
- easy mount, no need for power supply cable
- compatible with 5-channel N3 remote control (dedicated)
- designed for 35 mm roller tube
- min. width of roller blind - 460 mm



## N1 powered motor charger



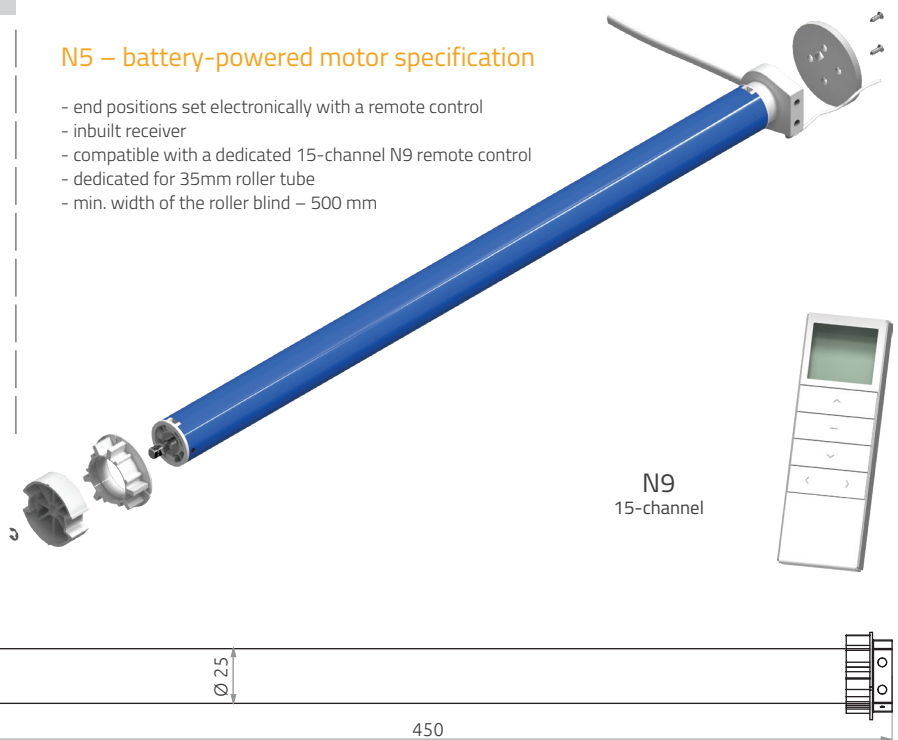
## Radio-ctrloled electric drive – N5



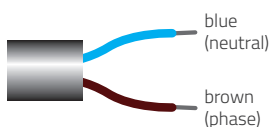
Motor parameters	
torque	1,5 Nm
RPM	32 rpm
motor diameter	25 mm
voltage	230 V
power	13,9 W
amperage	0,13 A
IP class	IP 44
inbuilt receiver	✓
radio frequency	433 MHz

### N5 – battery-powered motor specification

- end positions set electronically with a remote control
- inbuilt receiver
- compatible with a dedicated 15-channel N9 remote control
- dedicated for 35mm roller tube
- min. width of the roller blind – 500 mm



## Connection scheme



length of cable: 2 m

RM 40/40+



---

## RM 40 / 40+

---

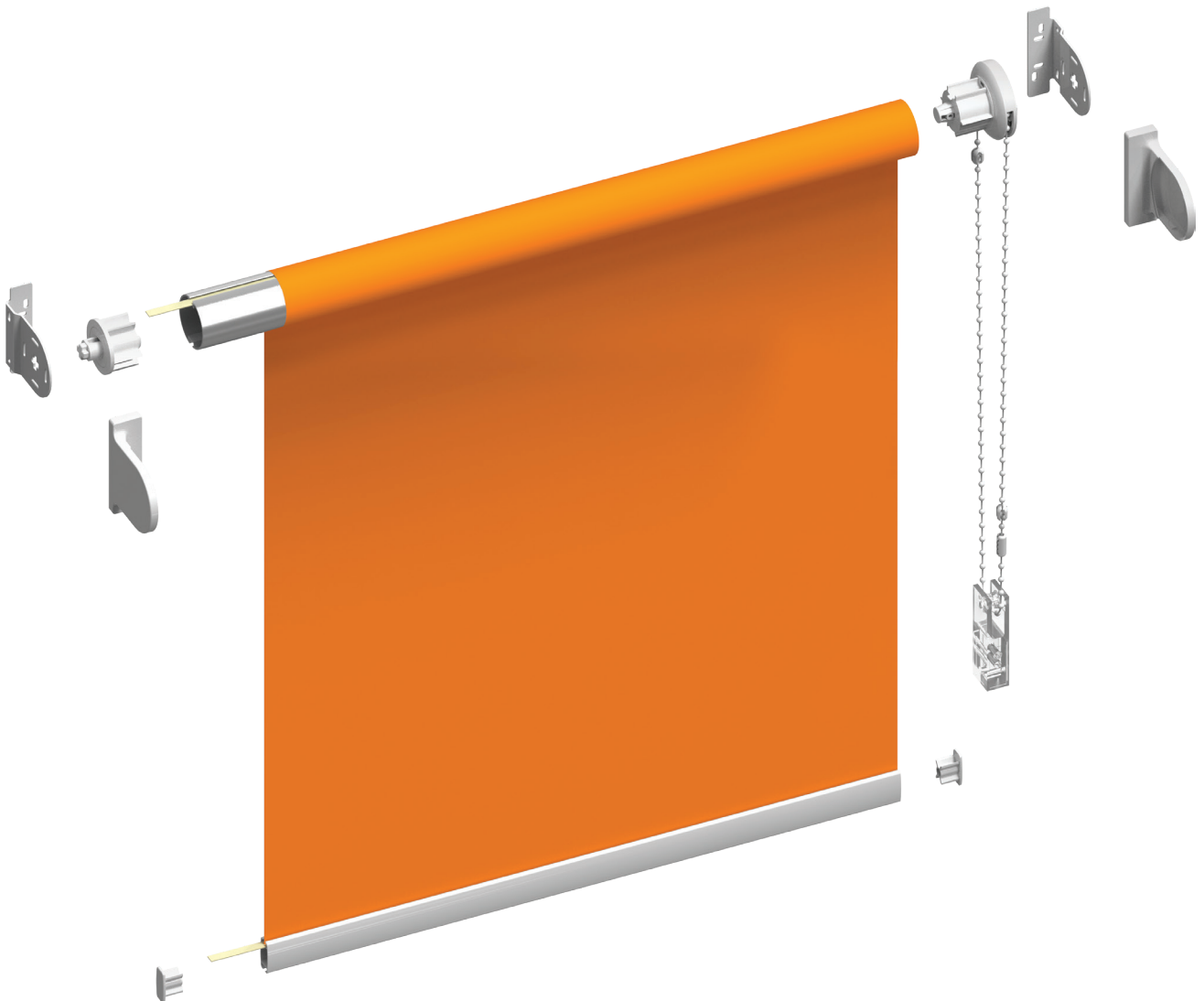
Dimensions	44 - 45
Fixing brackets	46 - 51
Closed cassette	52
Covers	53
Cassette fixing brackets	54
Cover fixing brackets	55
RM 40 - Duo Link	56
RM 40 - Multi Link	57
Control	58 - 62
Motors and control	63 - 65
Guide wire system	66 - 67

# System RM 40/40+ Roller Blind System – dimensions

	max. width	max. height	max. total surface area
RM 40	2500 mm	4000 mm*	10 m <sup>2</sup>
RM 40+	2500 mm	4000 mm*	10 m <sup>2</sup>

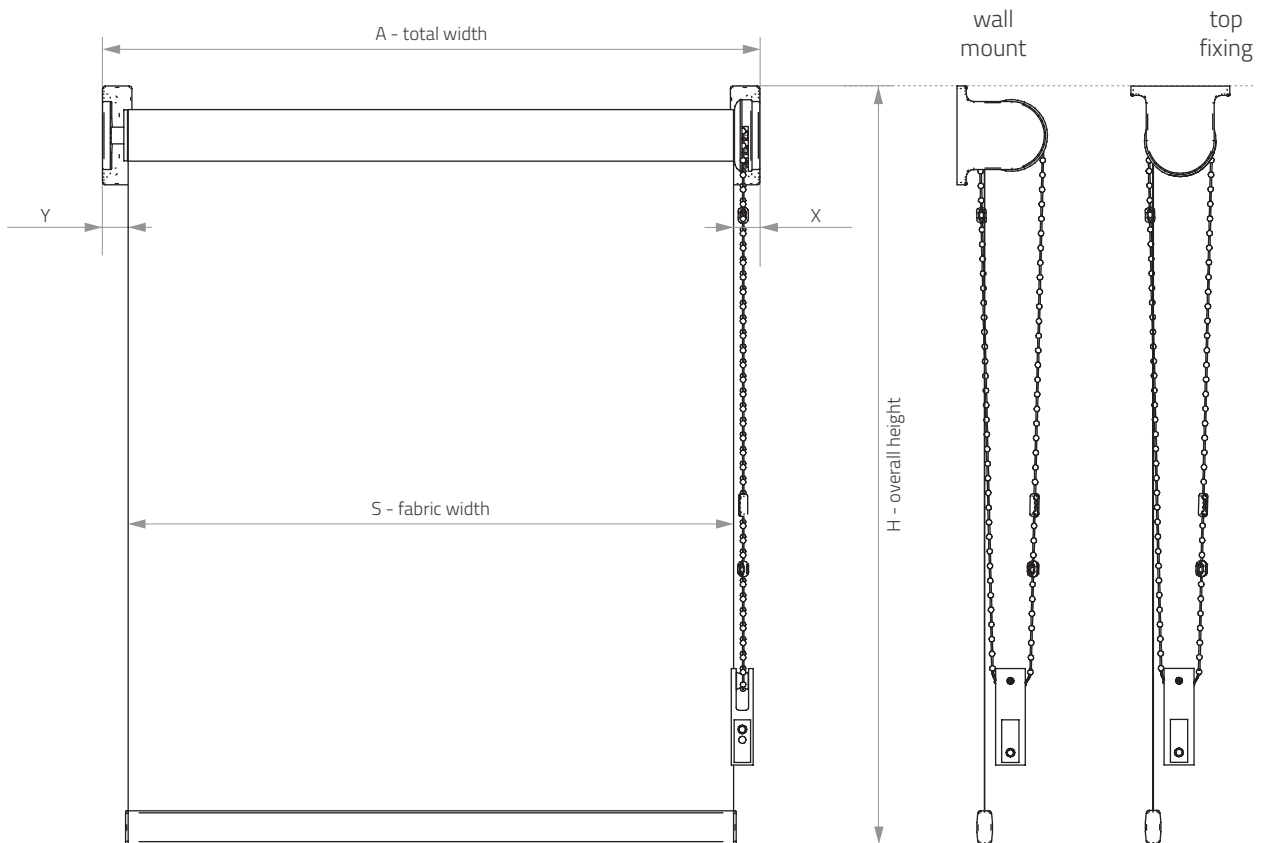


\* Max. height of the roller blind depends on the thickness of the fabric used.





# System RM 40/40+ Roller Blind System – dimensions



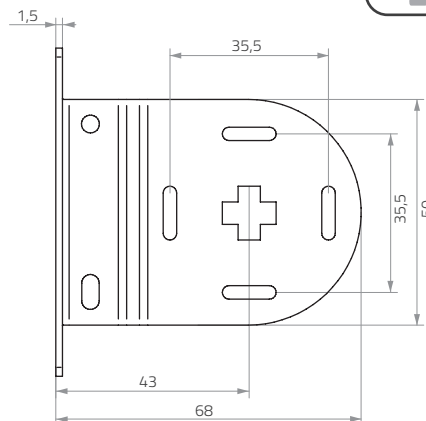
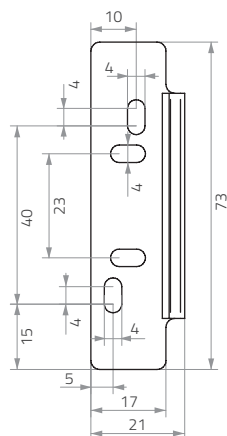
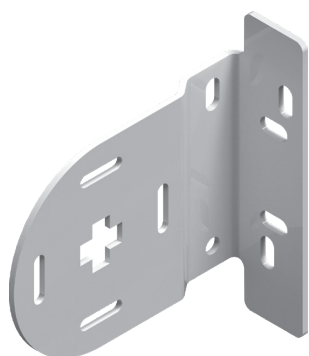
Depending on measurements taken, the client provides one width dimension only (A or S).

## The difference between overall width and fabric width

	RM 40/40+ metal bracket	RM 40 mounting profile	RM 40/40+ closed cassette	RM 40/40+ square cover	RM 40/40+ oval cover
TOTAL	40 mm	40 mm	40 mm	40 mm	40 mm
Control End X	24 mm	24 mm	24 mm	24 mm	24 mm
Idle End Y	16 mm	16 mm	16 mm	16 mm	16 mm

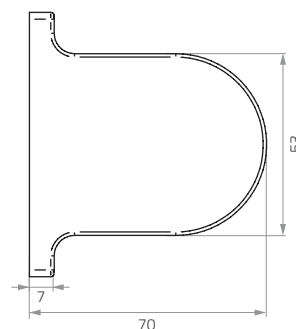
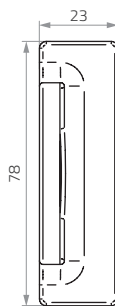
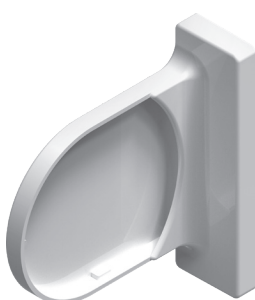
# System RM 40/40+ Roller Blind System – fixing brackets

## RM 40 metal bracket

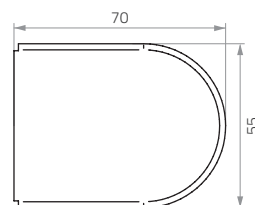


colours available: white, cream, grey, black

## Handle cover type 1



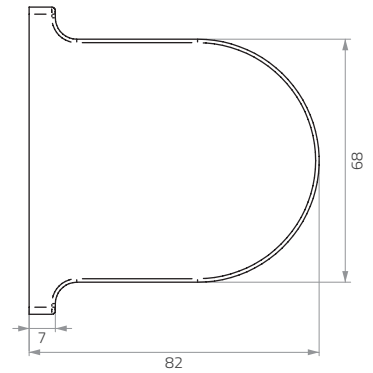
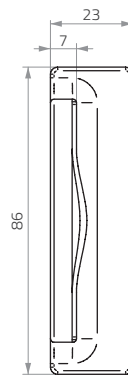
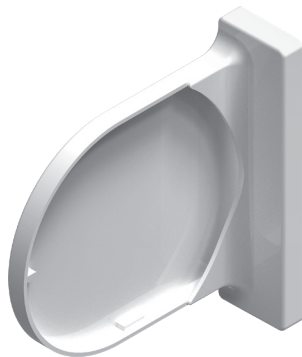
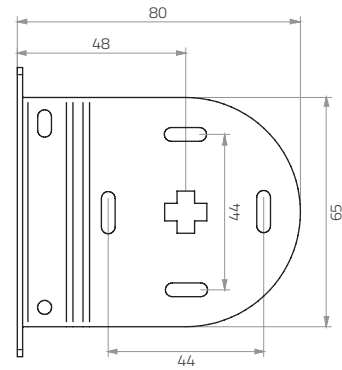
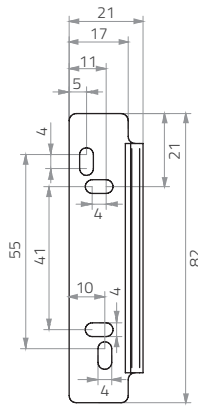
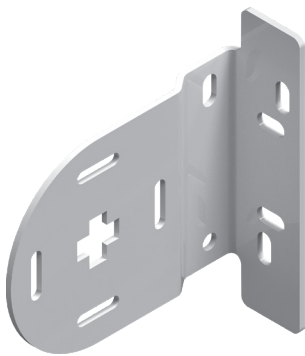
## Handle cover type 2



	RM 40 metal bracket	RM 40 metal bracket + side guide	RM 40+ metal bracket	extension bracket	RM 40 decorative metal bracket
Handle cover type 1	✓		✓	not available	not available
Handle cover type 2		✓	✓	not available	not available

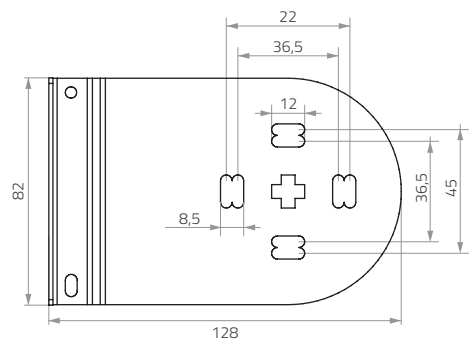
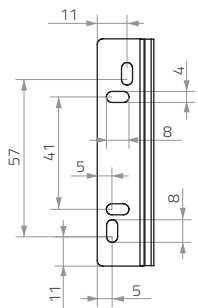
# System RM 40/40+ Roller Blind System – fixing brackets

## RM 40+ metal bracket



colours available: white, black

## Extension bracket (RM 40, RM 40+)

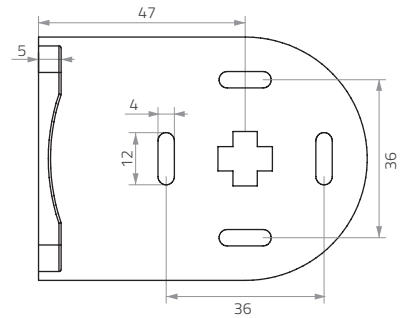
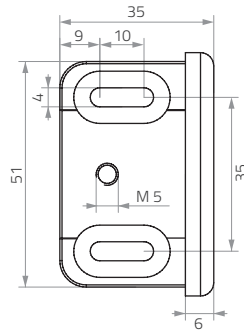
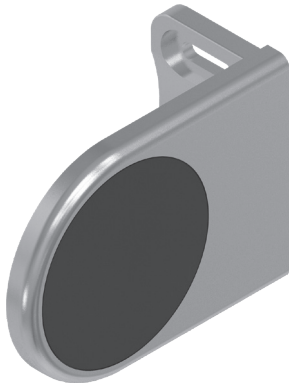


Please note: extension brackets do not come with covers.

colours available: white

# RM 40/40+ Roller Blind – fixing brackets

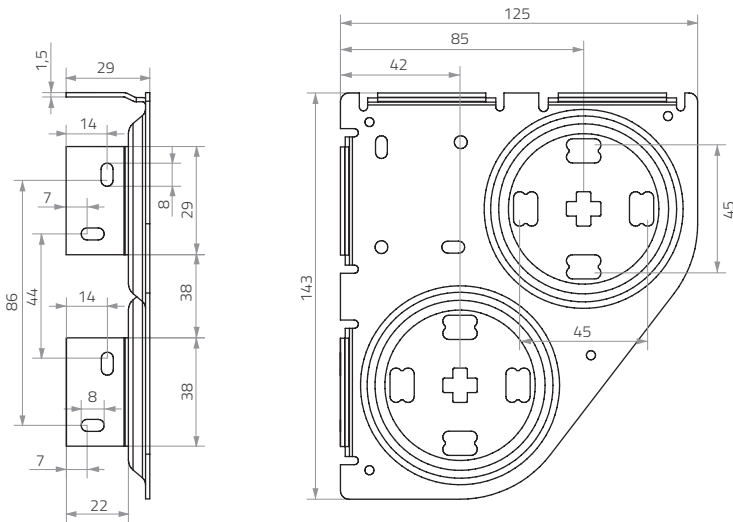
(RM 40) Decorative metal bracket



colour available: silver (cap in black colour)

# RM 40/40+ Roller Blind – fixing brackets

(RM 40, RM 40+) Double bracket



colours available: white, grey, black

# RM 40 – fixing brackets

## Mounting profile

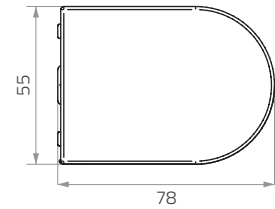
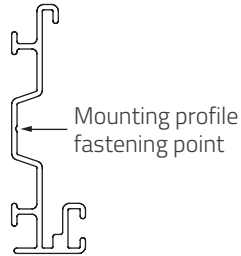


Please note: mounting profile is used with metal bracket only.

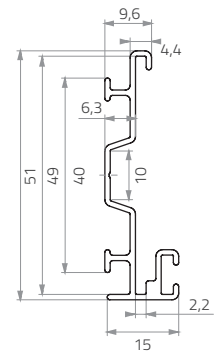
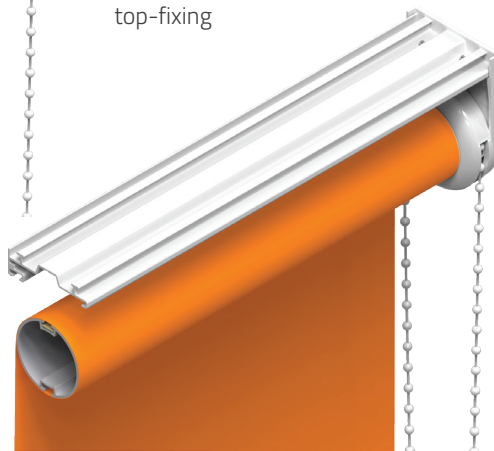
Three ways of mounting the roller blind:

mounting plate fixed with screws:

wall-mounting

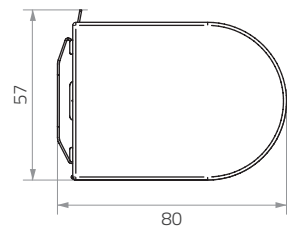
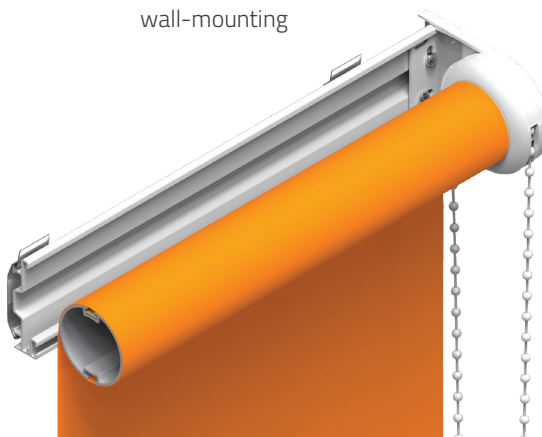


top-fixing

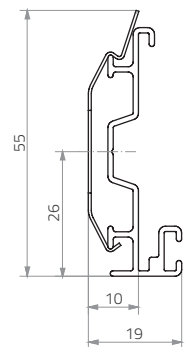
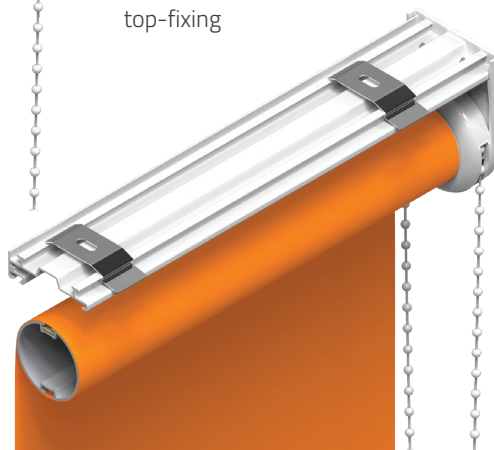


clip-fixed mounting profile:

wall-mounting



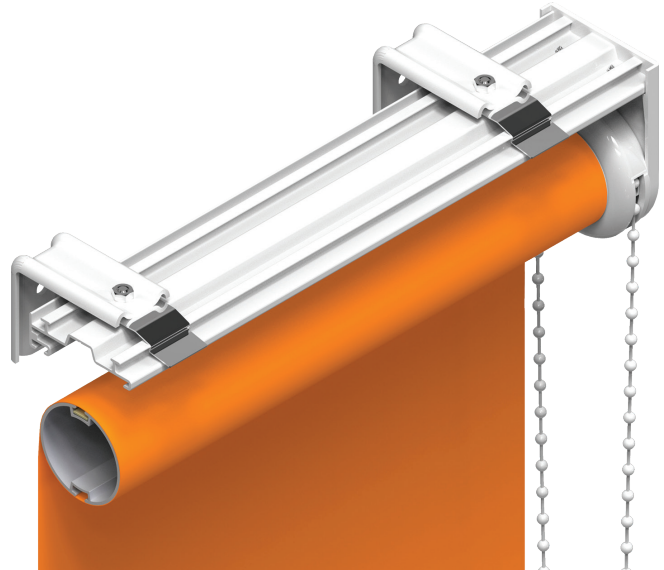
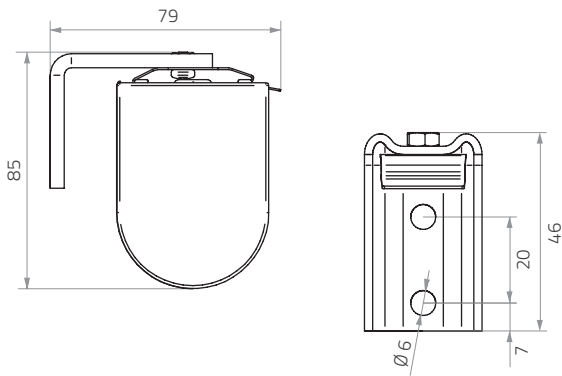
top-fixing



clip

# RM 40 – fixing brackets

wall bracket-fixed mounting profile



Please note: zinc-coated mounting profile clips are available only.

colours available: white, cream, grey, black, any RAL colour

## Recommended number of brackets / mounting plate fixing points in blinds of different width



≤ 1000 mm	1001 - 1500 mm	1501 - 2000 mm	2001 - 2500 mm
2	3	4	5

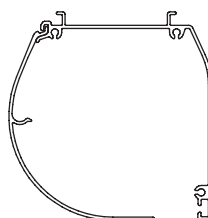

\* Concerns fixing on the side of control mechanism.

# RM 40/40+ Roller Blind System – cassette types

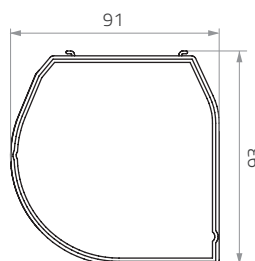
Closed cassette RM 40/40+



Cassette cross section



Cassette with side cover - cross section



Ball chain mechanism

white, silver anode, grey, black, any other RAL colour

Spring mechanism

white

N1 battery-powered electric motor

white, silver anode, grey, black, any other RAL colour

Electric motor

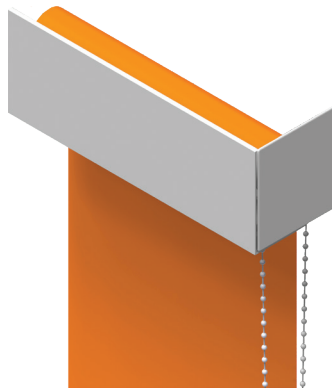
white, silver anode, grey, black, any other RAL colour



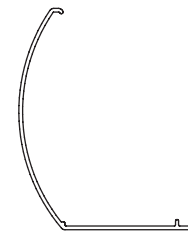
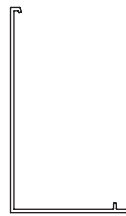
# RM 40/40+ Roller Blind System – covers

Square cover RM 40/40+

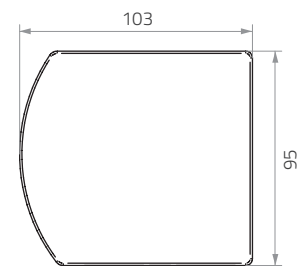
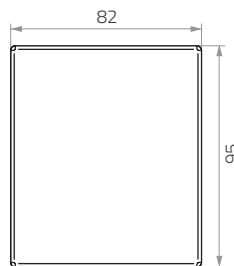
Oval cover RM 40/40+



Cassette cross section



Cassette with side cover - cross section



Ball chain mechanism

white, silver anode, any RAL colour

white, silver anode, any RAL colour

Spring mechanism

**not available**

**not available**

N1 battery-powered electric motor

**not available**

**not available**

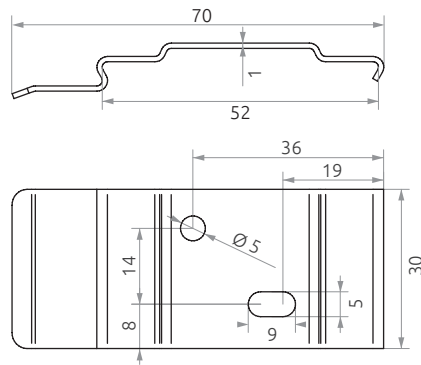
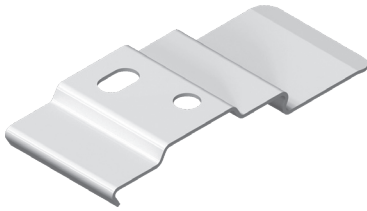
Electric motor

white, any RAL colour

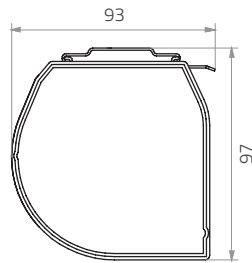
white, any RAL colour

# RM 40/40+ Roller Blind system – fixing components

## Clip bracket (top fixing)

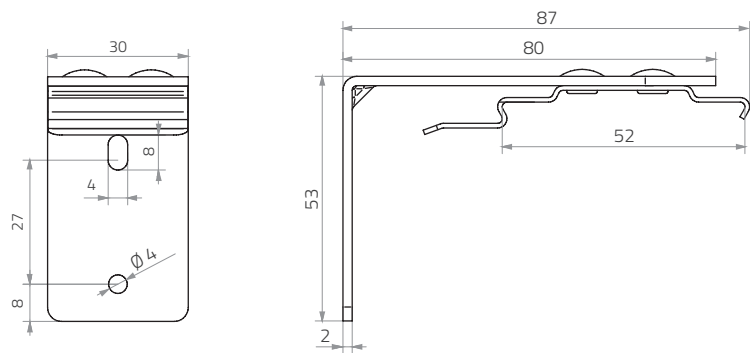
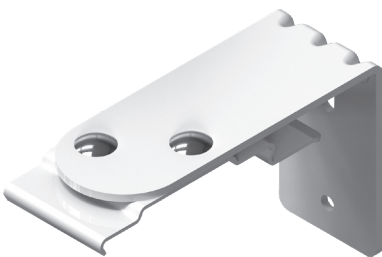


Closed cassette RM 40/40+

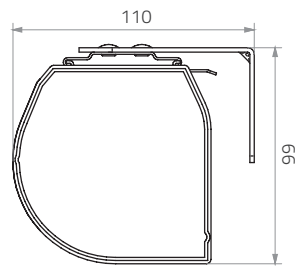


colours available: white, cream, silver anode, anthracite, black, any other RAL colour

## Clip angle bracket – closed cassette (wall mounting)



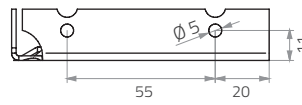
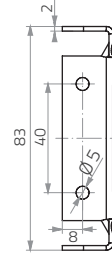
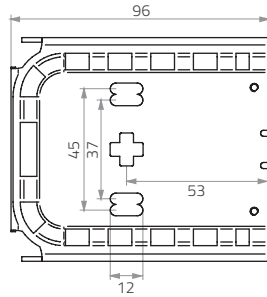
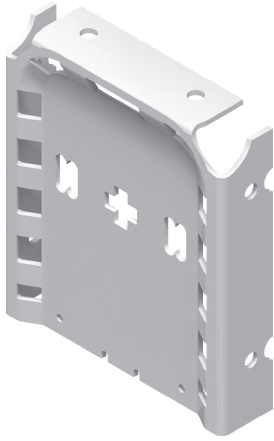
Closed cassette RM 40/40+



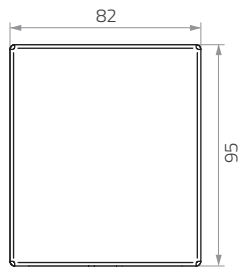
colours available: white, cream, silver anode, anthracite, black, any other RAL colour

# RM 40/40+ Roller Blind system – fixing components

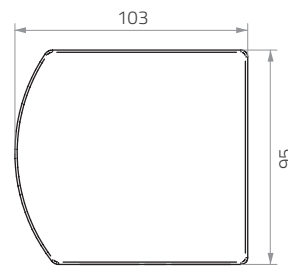
## Square / oval cover bracket (universal)



RM 40/40+ square cover



RM 40/40+ oval cover



colours available: white

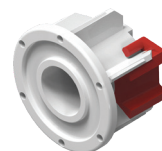
# RM 40 – Duo Link Roller Blind System

## Duo Link

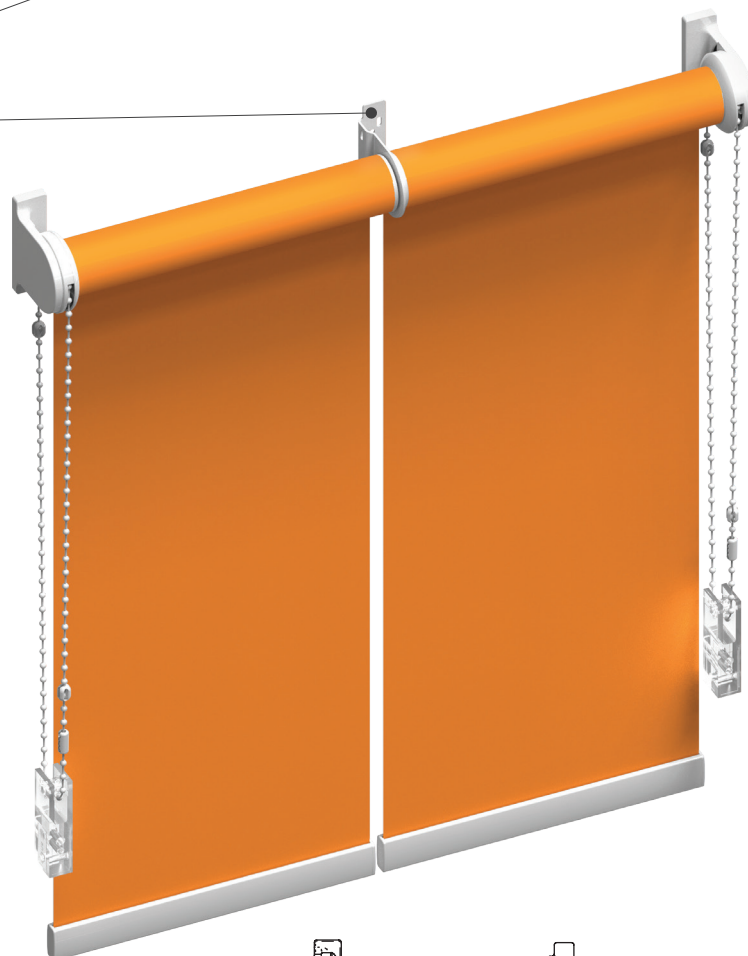
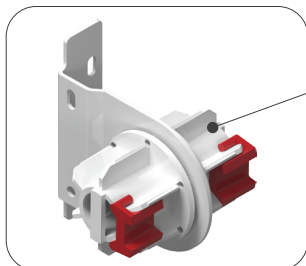
**Duo Link** allows to join two roller blinds controlled by independent drives. The blinds may be of different lengths and heights.

The set includes an intermediate bracket (joining the blinds at the intermediate point) as well as dedicated plunger ends.

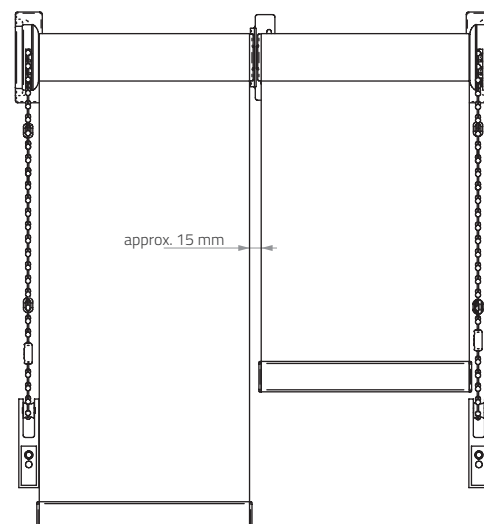
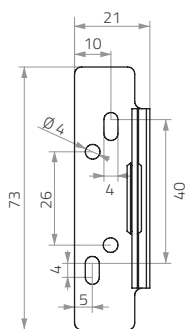
**Please note:** side control operating unit cannot be mounted on the connecting bracket.



Duo Link plunger end



Connecting bracket (intermediate)



colours available:  
white, cream, grey, black

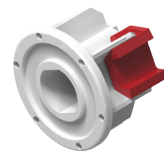
# RM 40 – Multi Link Roller Blind System

## Multi Link

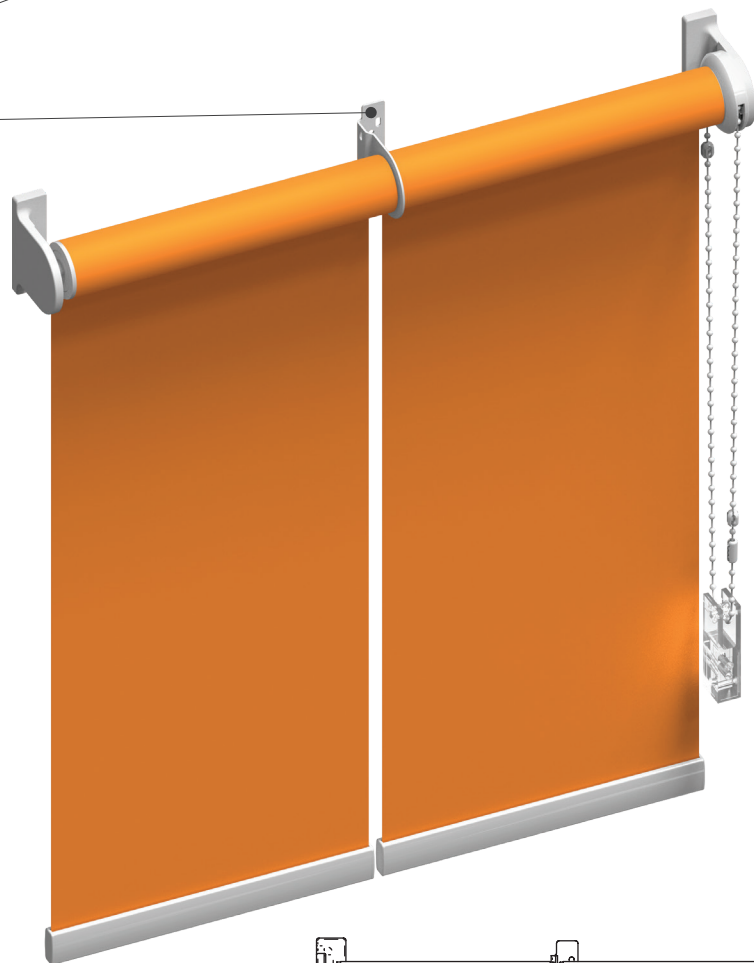
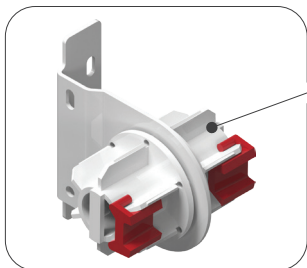
**Multi Link** allows to join two or more roller blinds controlled by a common drive. The blinds may be of different widths, but should be of **of the same height**.

The set includes an intermediate bracket (joining the blinds at the intermediate point) as well as dedicated plunger end, which functions as an adaptor.

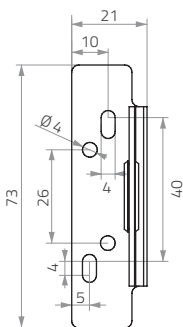
**Please note:** the side control operating unit may be mounted on the outside brackets only.



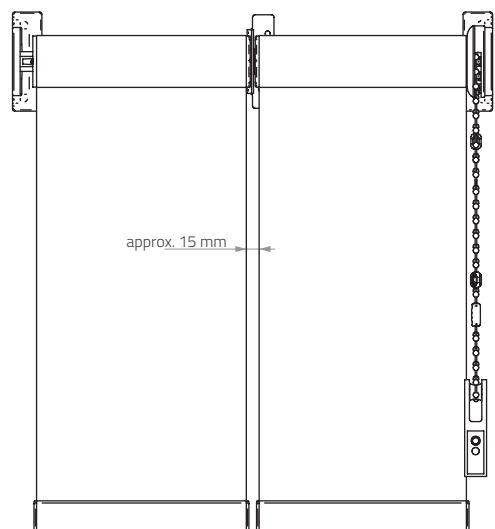
Multi Link plunger end



Connecting bracket (intermediate)

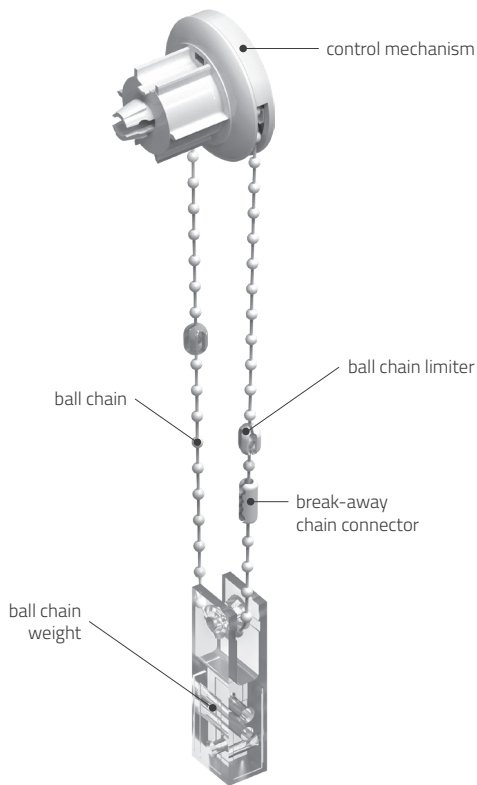


colours available:  
white, cream, grey, black



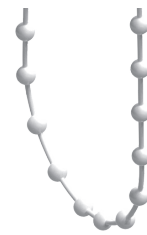
# RM 40 roller blind – operation

## Ball chain mechanism



## Types of ball chain

### PVC ball chain



ball diameter: 4,5 mm



PVC ball chain is fitted with a break away chain connector (safety feature, fully compliant with PN-EN 13120:2014+A1 safety standard).

### metal ball chain (optional feature)

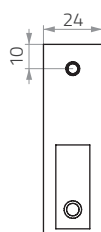
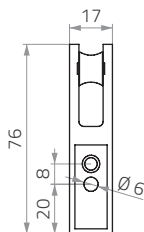


ball diameter: 4.5 mm



Metal ball chain is fitted with a safety cleat (safety feature, fully compliant with PN-EN 13120:2014+A1 safety standard).

## Safety cleat



### Ball chain weight / safety cleat



When used with a break-away chain connector, safety cleat functions as ball chain weight (no need to fasten it to wood joinery/wall).

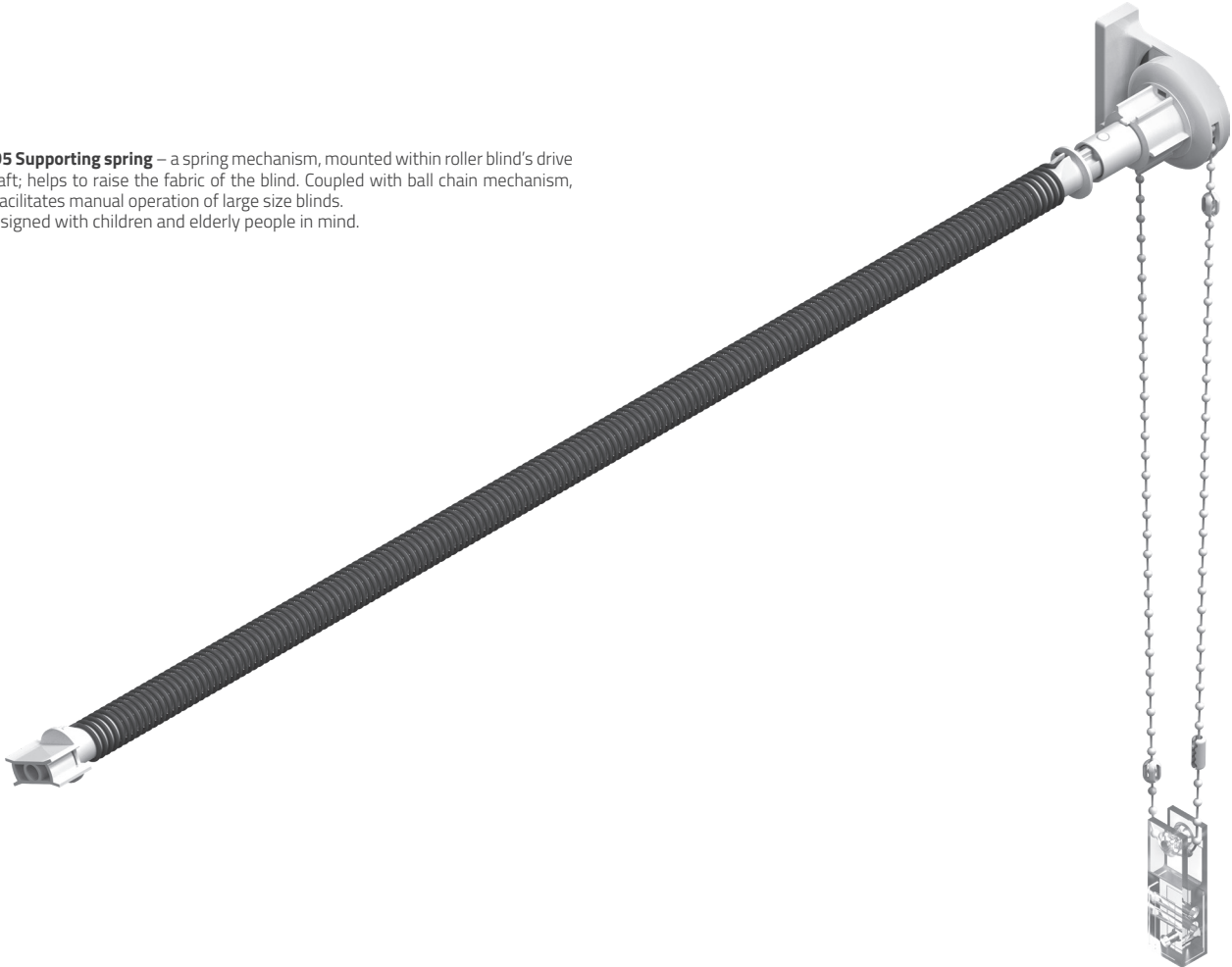
Coupled with looped ball chain and fastened to wood joinery /wall, the component functions as safety cleat.

COLOUR	RM 40 metal bracket	RM 40+ metal bracket	RM 40 mounting profile	RM 40/40+ closed cassette	RM 40/40+ square cover	RM 40/40+ oval cover
white	✓	✓	✓	✓	✓	✓
cream	✓		✓			
brown						
silver anode				✓		
grey	✓		✓	✓		
anthracite						
black	✓	✓	✓	✓		
any RAL colour			✓	✓	✓	✓

# RM 40 roller blind – operation

## RM 40 / RM 40+ Supporting spring

**OD5 Supporting spring** – a spring mechanism, mounted within roller blind's drive shaft; helps to raise the fabric of the blind. Coupled with ball chain mechanism, it facilitates manual operation of large size blinds. Designed with children and elderly people in mind.



Control on the left hand side (view from the inside); supporting spring in blue.

Control on the right hand side (view from the inside); supporting spring in black.

	300 - 860 mm	861 - 2500 mm
1000 - 4000 mm	not available	✓

---

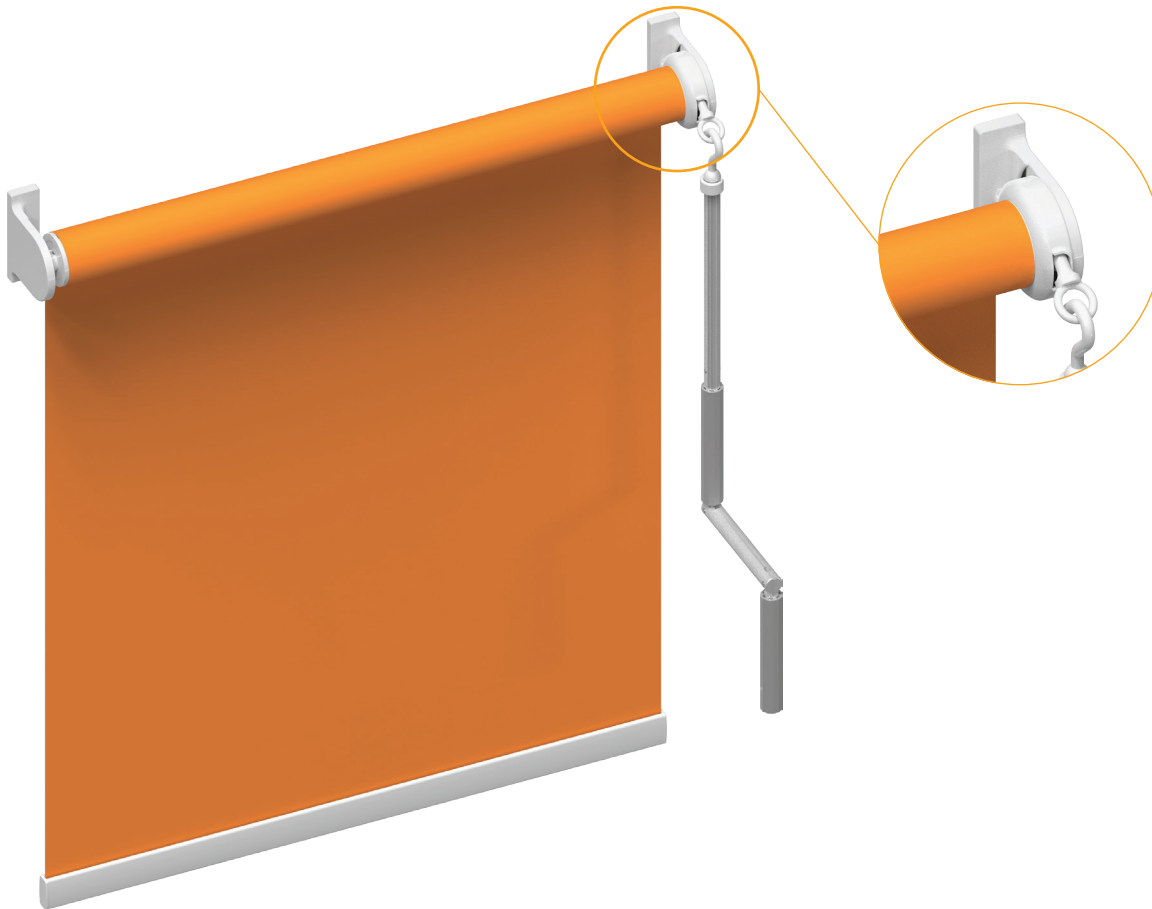
# System RM 40 Roller Blind System – crank gear

---

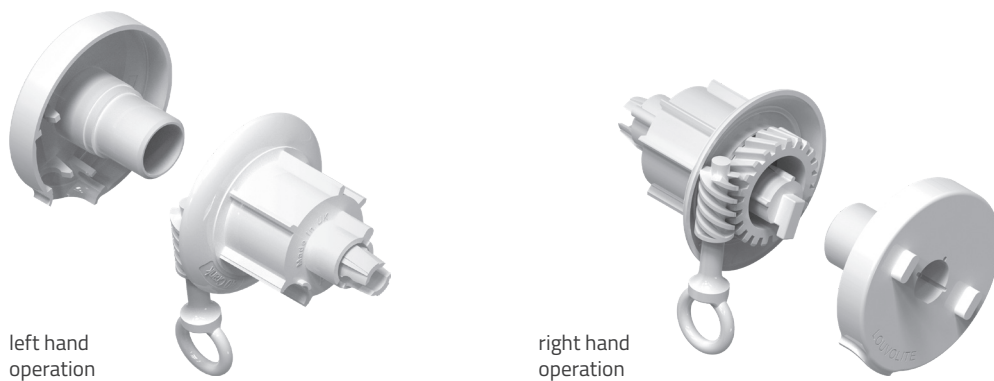
## Crank gear (worm gear unit)

**Worm gear-assisted control system enables precise operation of the roller blind.**

It allows the user to rise/lower the fabric or stop it at the desired height with the help of operating wand.



**The unique design of the gear enables easy swap of the control end.**







# RM 40 roller blind – operation

## Spring mechanism

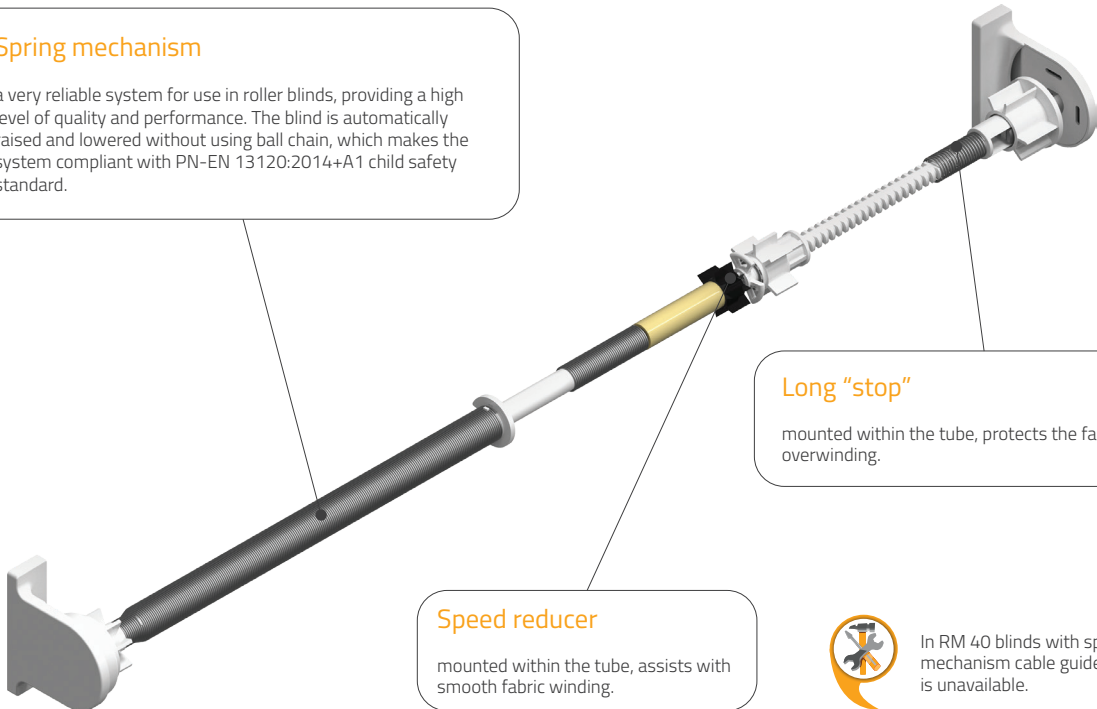


Maximum **height** of a roller blind with spring mechanism is 2200 mm.

The minimum **width** of the roller blind with spring mechanism is 700 mm.

### Spring mechanism

a very reliable system for use in roller blinds, providing a high level of quality and performance. The blind is automatically raised and lowered without using ball chain, which makes the system compliant with PN-EN 13120:2014+A1 child safety standard.



### Long "stop"

mounted within the tube, protects the fabric from overwinding.

### Speed reducer

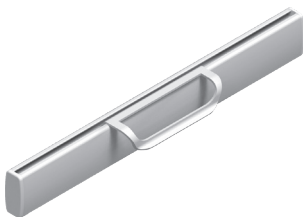
mounted within the tube, assists with smooth fabric winding.



In RM 40 blinds with spring mechanism cable guide is unavailable.

## Bottom bar – cords and handles

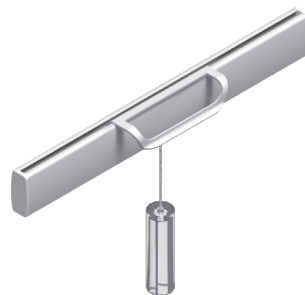
handle



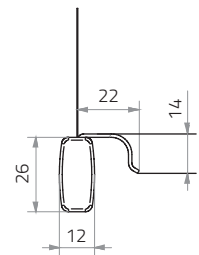
pull cord



handle + pull cord



handle dimensions



Bottom bar handle available in white only.



According to the requirements of PN-EN 13120:2014+A1 standard, the length of the pull cord should not exceed 20 cm.

	RM 40 metal handle	RM 40+ metal handle	RM 40 mounting profile	RM 40/40+ closed cassette	RM 40/40+ square cover	RM 40/40+ oval cover
white	not applicable	not applicable	✓	✓	not applicable	not applicable

# RM 40 – motors and control

## E6 – battery-operated, radio-controlled motor

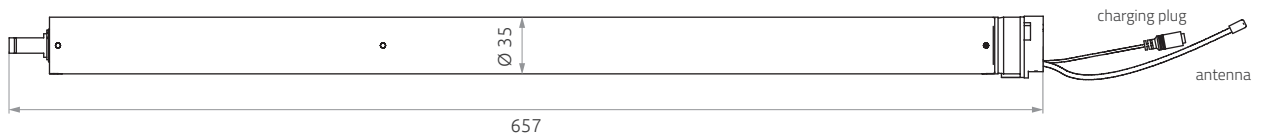


Motor parameters	
Torque	10 Nm
RPM	9 rpm
Motor diameter	35 mm
Supply voltage	DC 12 V
Power	21 W
Amperage	1,75 A
IP class	IP 44
Inbuilt receiver	✓
Radio frequency	433 MHz

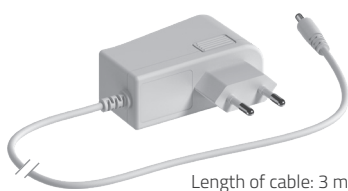


### E6 – battery-powered motor specification

- end positions set electronically with a remote control
- inbuilt receiver
- compatible with series ONE remote controls
- dedicated for 40 mm roller tube
- min. width of the roller blind – 800 mm
- battery-powered (Li-ion battery built into the housing)
- easy mount – no need for power supply cable
- low power consumption results in extended operating time



### E6 battery-powered motor charger



### ONE series remote controls



ONE X1  
5-channel

ONE X2  
15-channel

ONE X4  
30-channel

COLOUR	RM 40 metal handle	RM 40+ metal handle	RM 40 mounting profile	RM 40/40+ closed cassette	RM 40/40+ square cover	RM 40/40+ oval cover
white	✓		✓	✓		
cream	✓					
brown		not available			not available	not available
silver anode				✓		
grey	✓			✓		
anthracite					not available	not available
black	✓			✓		
any RAL				✓		

# RM 40 – motors and control

## N2 radio-controlled electric motor



Motor parameters	
torque	1,1 Nm
RPM	25 rpm
motor diameter	25 mm
voltage	DC 7 V
power	2 W
amperage	8 A
IP class	IP 40
inbuilt receiver	✓
radio frequency	433 MHz

### N2 battery powered motor specification

- end positions set electronically with a remote control
- inbuilt receiver
- compatible with a 5-channel N2 dedicated remote control
- dedicated for 40 mm roller tube
- min. roller width: 460 mm

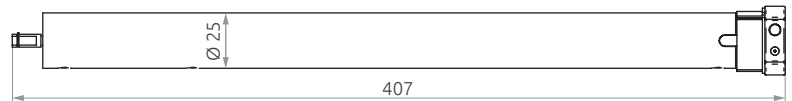
N2 5-channel remote control



N2 battery-powered motor charger



Length of cable: 3 m



## N6 radio-controlled electric motor

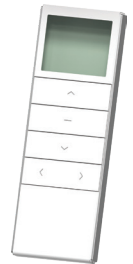


Motor parameters	
torque	1,5 Nm
RPM	32 rpm
motor diameter	25 mm
voltage	230 V
power	13,9 W
amperage	0,13 A
IP class	IP 44
inbuilt receiver	✓
radio frequency	433 MHz

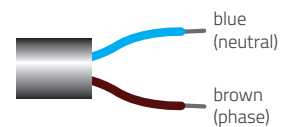
### N6 battery powered motor specification

- end positions set electronically with a remote control
- inbuilt receiver
- compatible with a 15-channel N9 dedicated remote control and ONE series pilots
- dedicated for 40 mm roller tube
- min. roller width: 500 mm

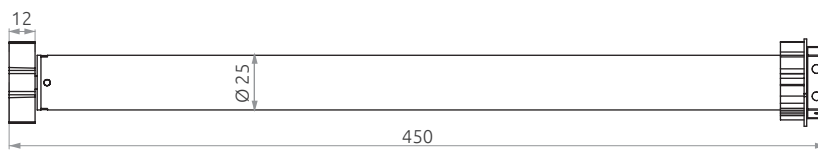
N9 15-channel remote control



### Connection scheme





length of cable: 2 m





COLOUR	RM 40 metal bracket	RM 40+ metal bracket	RM 40 mounting profile	RM 40/40+ closed cassette	RM 40/40+ square cover	RM 40/40+ oval cover	
white	✓		✓	✓	✓	✓	
cream	✓						
brown		not available					
silver anode			✓	✓	✓	✓	
grey	✓		✓	✓	✓	✓	
anthracite							
black	✓				✓	✓	✓
any RAL					✓	✓	✓

# RM 40 roller blind drives

## ELECTRIC MOTORS – 24 V

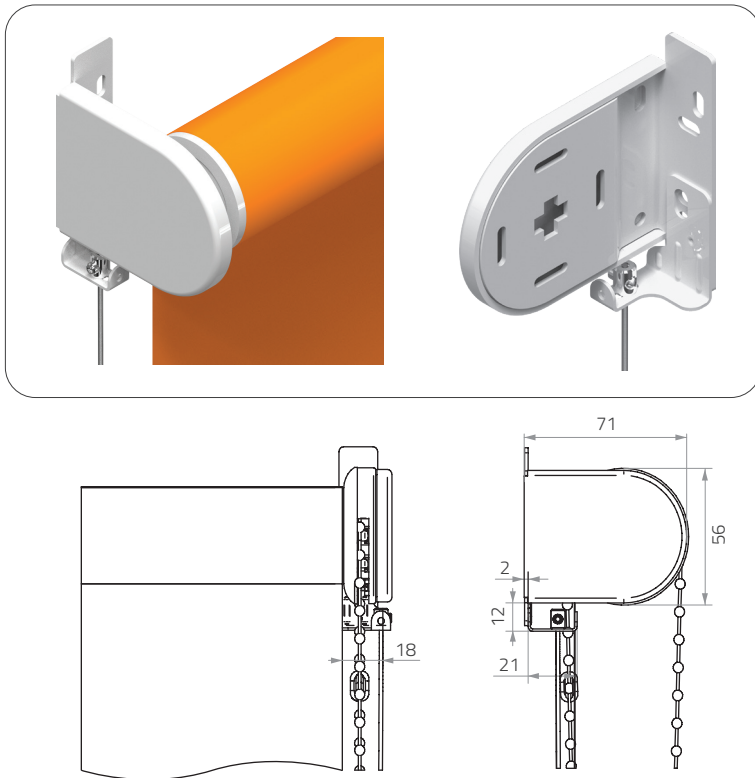
Motor		Nominal torque (Nm)	Nominal RPM	Nominal voltage (V)	Frequency (Hz)	Amperage (A)	Energy consumption (W)	IP protection class	Insulation class	Number of cores	Length of wire (m)	Total length (mm)	Length (mm)	Weight (kg)	Operation time (thermal protection) (min.)	Noise level (dB)	Operating temperature (°C)
somfy.	 <b>Sonesse 30 DCT 2/28</b>	2	28	24	DC	max 3,2	-	IP 30	III	2	-	406	398	0,49	2,5	< 44	0 to +60
	 <b>Sonesse 30 DC RTS 2/28</b>	2	28	24	DC	max 3,2	-	IP 30	III	2	-	406	398	0,49	2,5	< 44	0 to +60

## ELECTRIC MOTORS – 230 V

Motor		Nominal torque (Nm)	Nominal RPM	Nominal voltage (V)	Frequency (Hz)	Amperage (A)	Energy consumption (W)	IP protection class	Insulation class	Number of cores	Length of wire (m)	Total length (mm)	Length (mm)	Weight (kg)	Operation time (thermal protection) (min.)	Noise level (dB)	Operating temperature (°C)
somfy.	<b>Screen 40 Up 4,5/30</b>	4,5	30	230	50	0,52	110	IP 44	II	3	2,5	485	469	1,05	4	52	-10 to +40
	<b>Sonesse 40 PA</b>	3	30	230	50	max 1,3	95	IP 44	II	3	2,5	476	462	1,25	5	< 42	0 to +60
elero	 <b>TT Go S 6/19</b>	6	19	230	50	0,49	116	IP44	b/d	4	2	531	518	1,3	4	b/d	-20 to +60
	<b>VariEco S 5/30</b>	5	30	230	50	max 0,73	168	IP 44	II	4	2	534	518	1,2	4	39	-20 to +60
	<b>RolTop S 3/30</b>	3	30	230	50	max 0,55	130	IP 44	II	4	2	534	518	1,2	4	36	-20 to +60
somfy.	<b>Altus 40 RTS 3/30</b>	3	30	230	50	max 1,3	80	IP 44	II	2	3	497	473	b/d	4	b/d	0 to +60
	<b>Sonesse 40 RTS</b>	3	30	230	50	max 1,3	95	IP 44	II	2	2,5	517	503	1,22	5	< 42	0 to +60
elero	 <b>Sonesse 40 io 6/20</b>	6	20	230	50	max 0,55	120	IP31	II	2	2,5	535	511	1,25	4	< 44	0 to +60
	<b>RolTop T 868</b>	5	30	230	50	max 0,73	168	IP 44	II	4	2	534	518	1,3	4	39	-20 to +60
	<b>RolTop S 868</b>	3	30	230	50	max 0,55	130	IP 44	II	4	2	534	518	1,2	5	36	-20 to +60

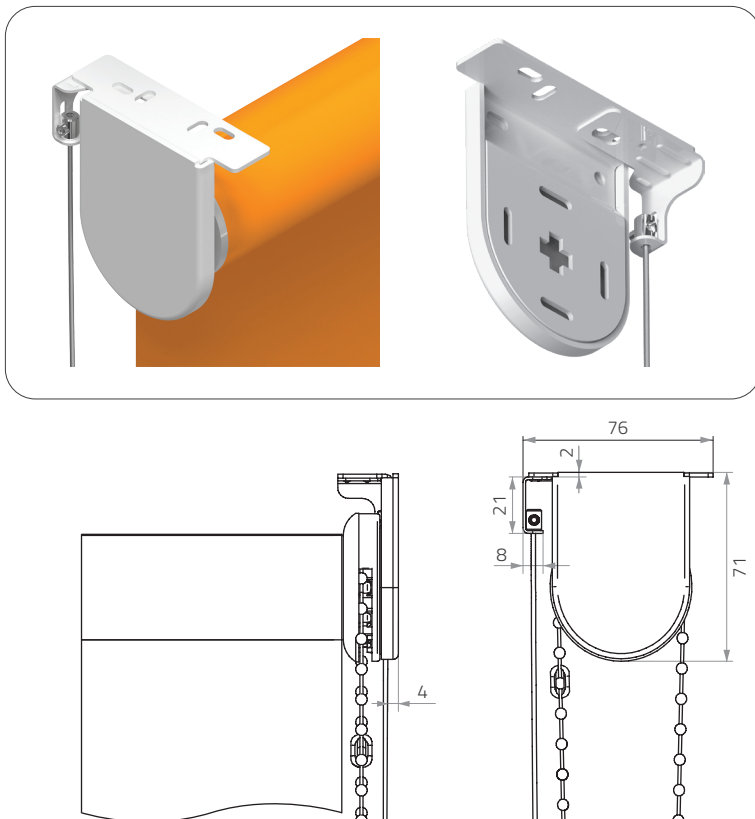
# RM 40/40+ – guide wire

## Fixing guide wire – wall mounting

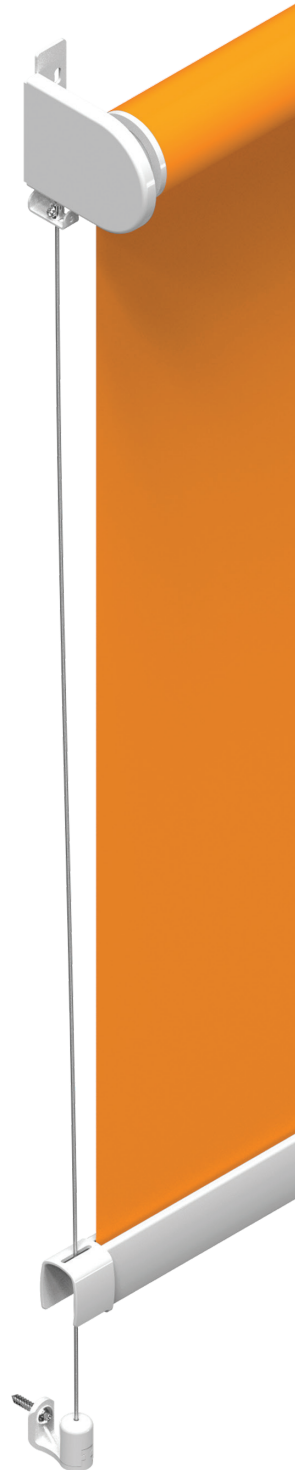


Guide wire available with RM 40/40+ roller blind with metal bracket only.

## Fixing guide wire – top fixing



Cord guide brackets available in white only.

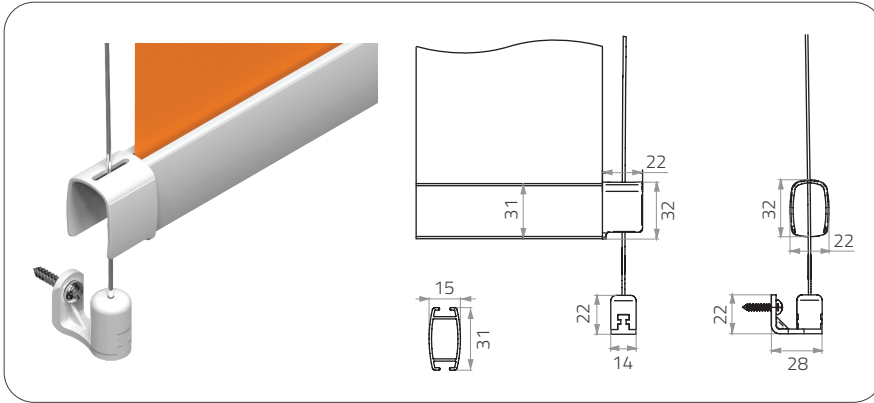


# RM 40/40+ – guide wire

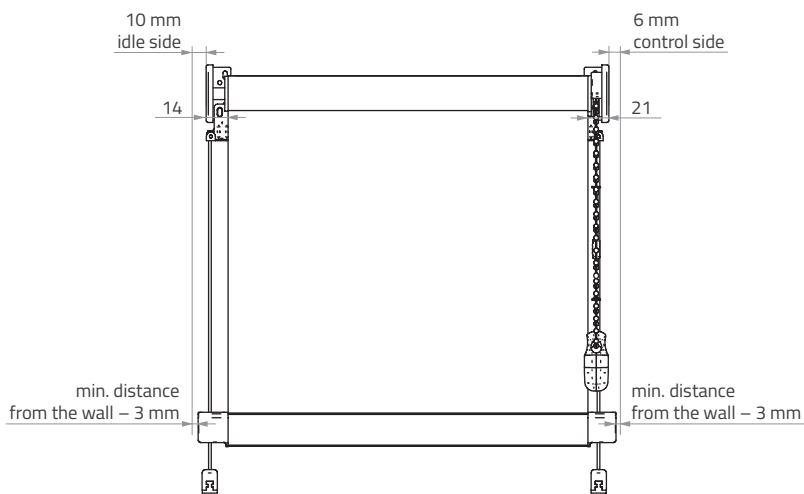
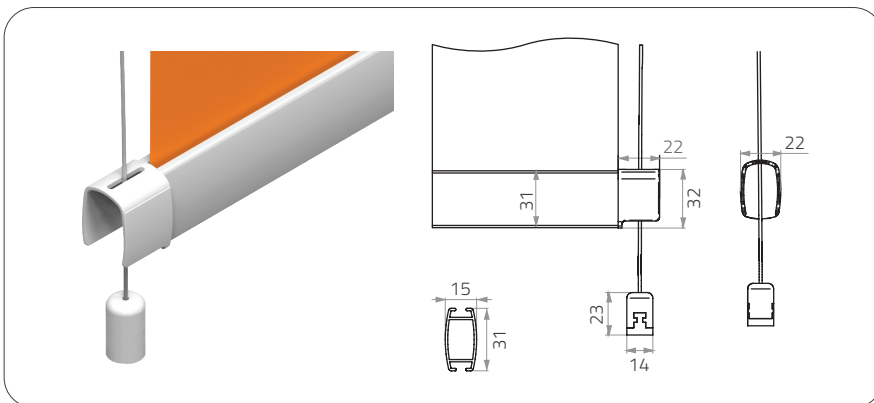
Guide wire bracket (bracket A)  
- wall/window mounting



Steel wire available in 2 options:  
- 1 mm – PVC coated steel wire  
- 1,2 mm – PVC coated stainless steel wire



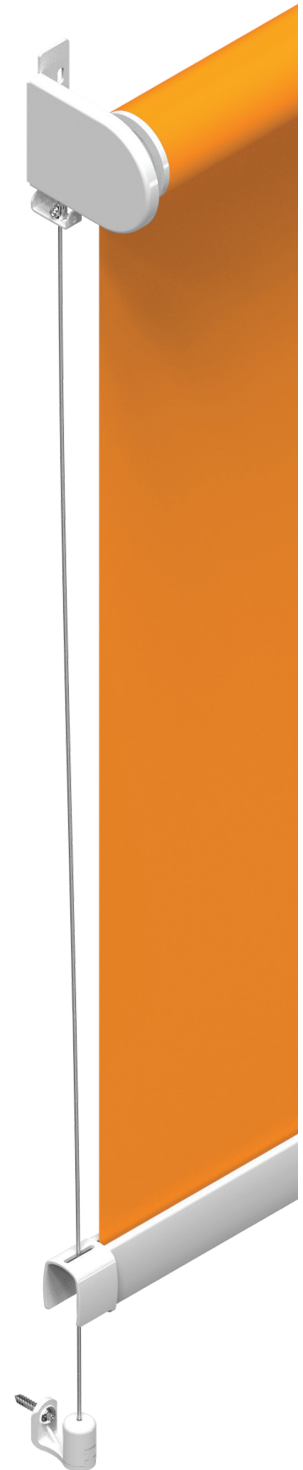
Guide wire bracket (bracket B)  
- floor/window sill mounting



Please note: bottom bar is 10 mm wider than overall dimension



With cable guide bottom bar/weight dimensions are subject to change.



RM 45/45+





---

## RM 45 / 45+

---

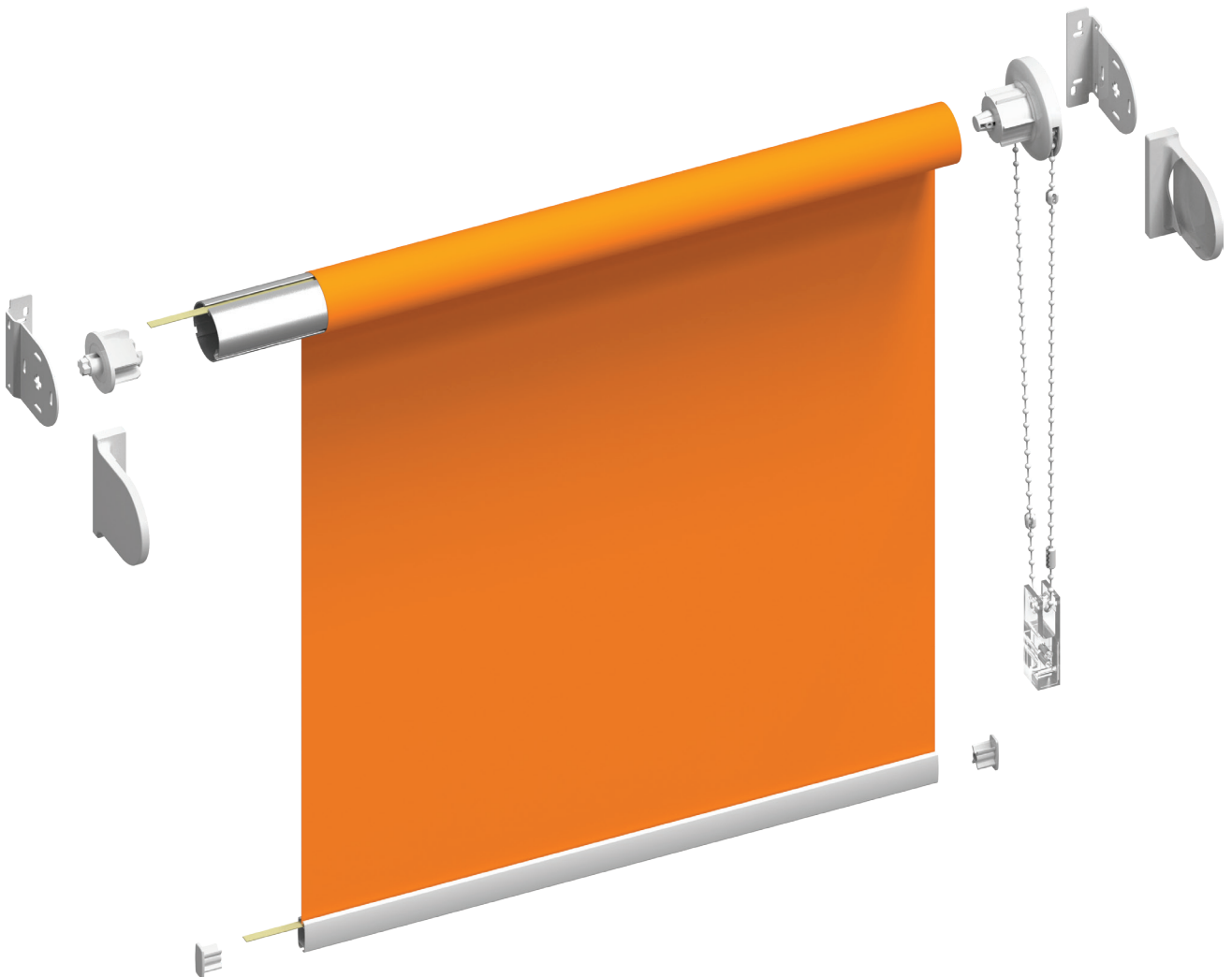
Dimensions	70 - 71
Fixing brackets	72 - 77
Cassettes / Covers	78
Cassette / cover fixing brackets	79 - 80
RM 45 / 45+ - Duo Link	82
RM 45 / 45+ - Multi Link	83
Control	84 - 85
Motors and control	86 - 87
Guide wire system	88 - 89

# System RM 45/45+ Roller Blind System – dimensions

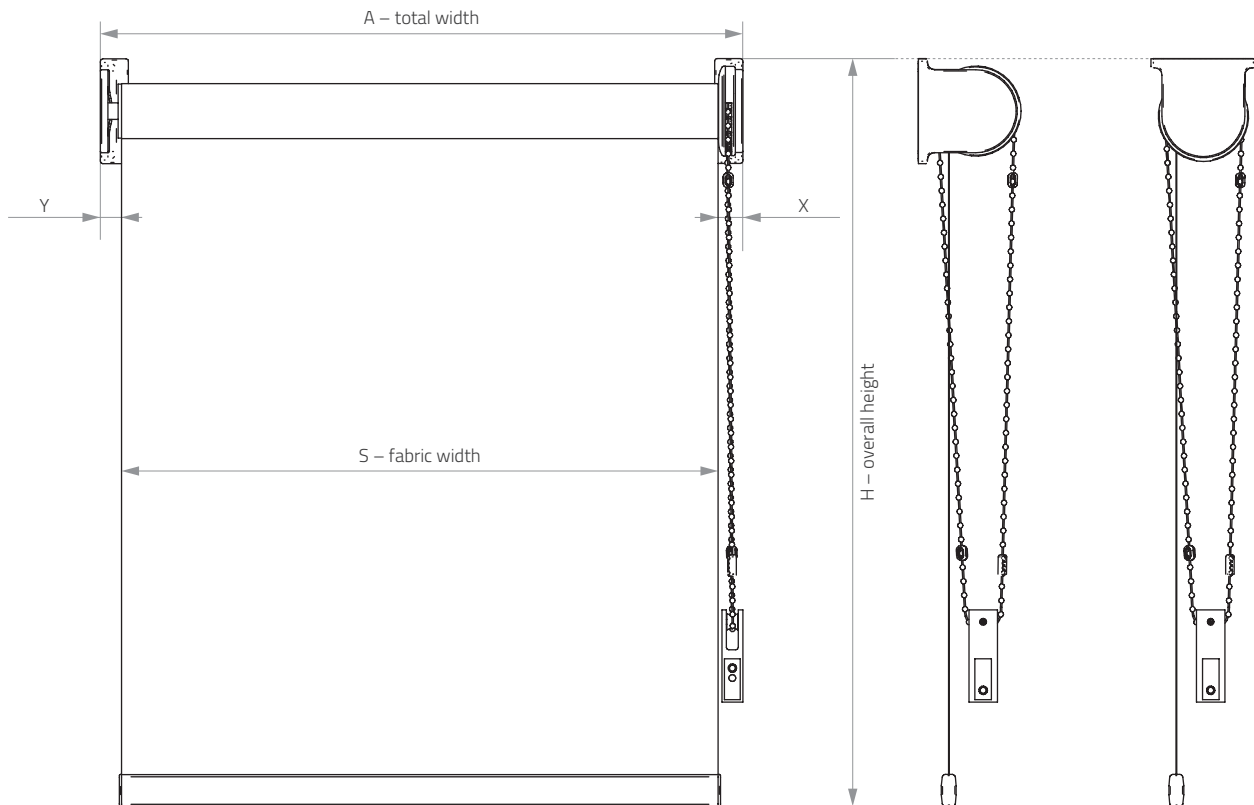
	max. width	max. height	max. total surface area
RM 45	3000 mm	5000 mm	15 m <sup>2</sup>
RM 45+	3500 mm	5000 mm	17,5 m <sup>2</sup>



\* Max. height of the blind depends on the thickness of the selected fabric.



# System RM 45/45+ Roller Blind System – dimensions



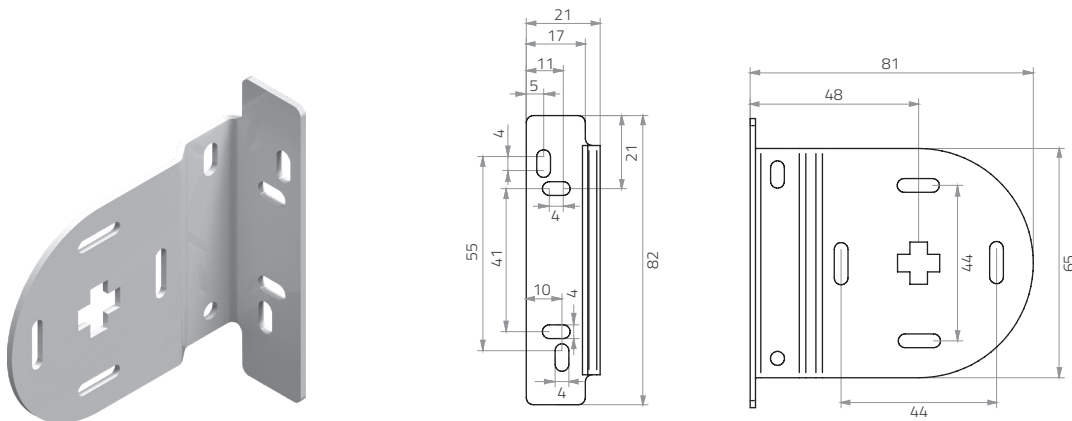
Depending on measurements taken, the client provides one width dimension only: (A or S).

## The difference between overall width and fabric width

	RM 45 metal bracket	RM 45+ metal bracket	RM 45 mounting profile	RM 45 closed cassette	RM 45 / 45+ square cover	RM 45 / 45+ oval cover
TOTAL	40 mm	40 mm	40 mm	40 mm	40 mm	40 mm
Control End X	24 mm	24 mm	24 mm	24 mm	24 mm	24 mm
Idle End Y	16 mm	16 mm	16 mm	16 mm	16 mm	16 mm

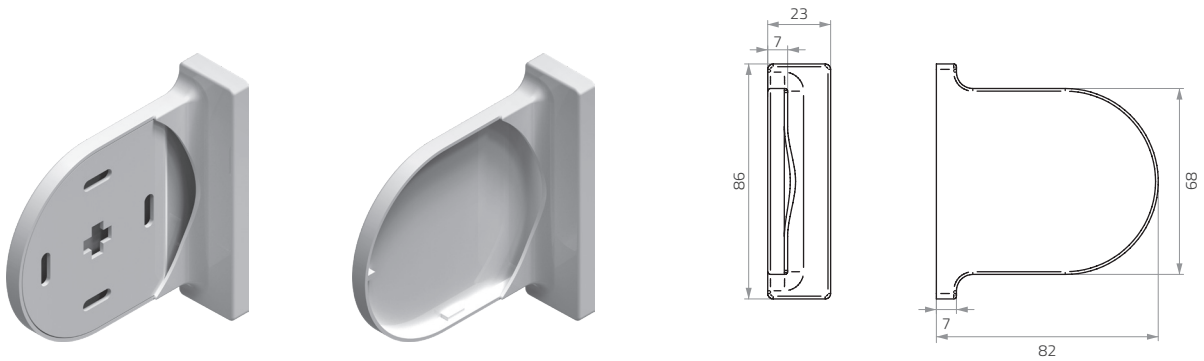
# RM 45/45+ – fixing brackets

## RM 45 metal bracket



colours available: white, cream, grey, anthracite, black

## Bracket cover type 1



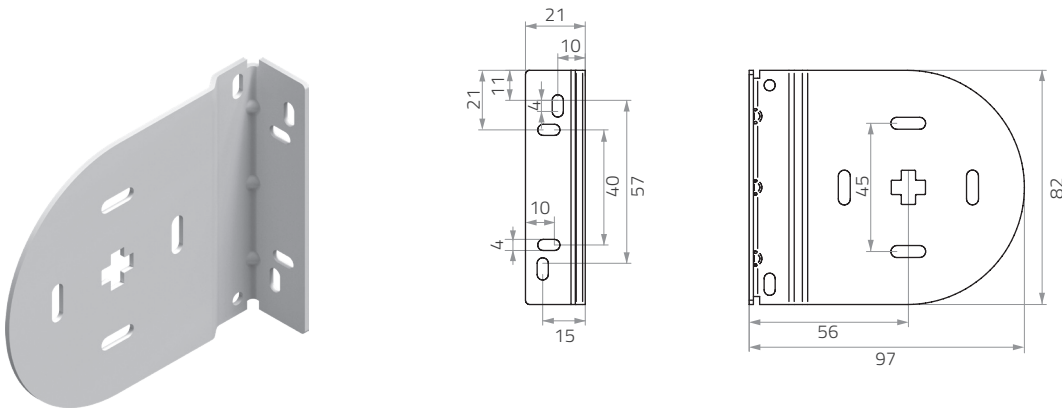
## Bracket cover type 2



	RM 45 metal bracket	RM 45 metal bracket + side guide	RM 45+ metal bracket	Extension bracket
Bracket cover type 1	✓			not available
Bracket cover type 2		✓	✓	not available

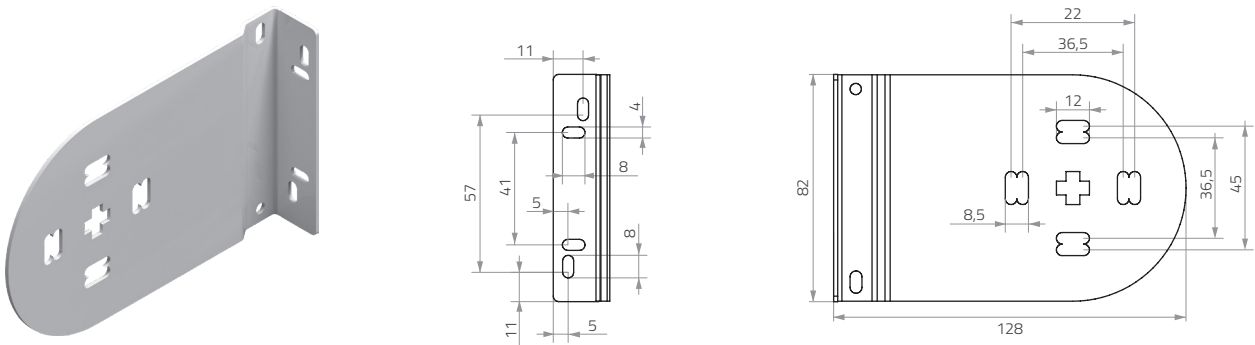
# RM 45/45+ – fixing brackets

## RM 45+ metal bracket



colours available: white, black

## Extension bracket – (RM 45)

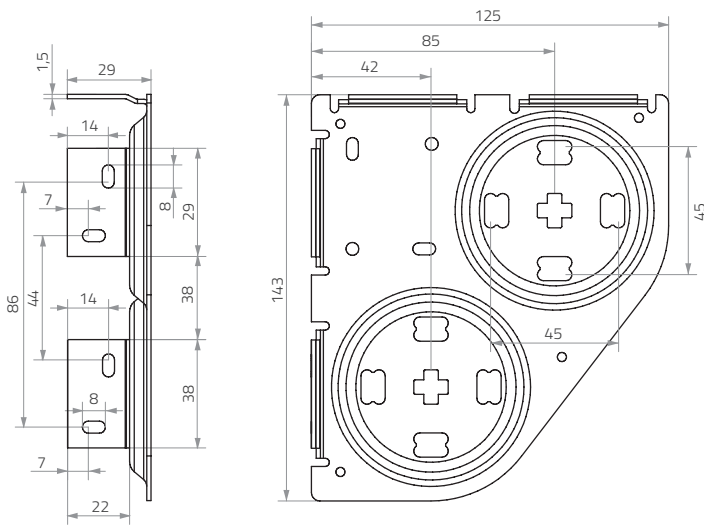
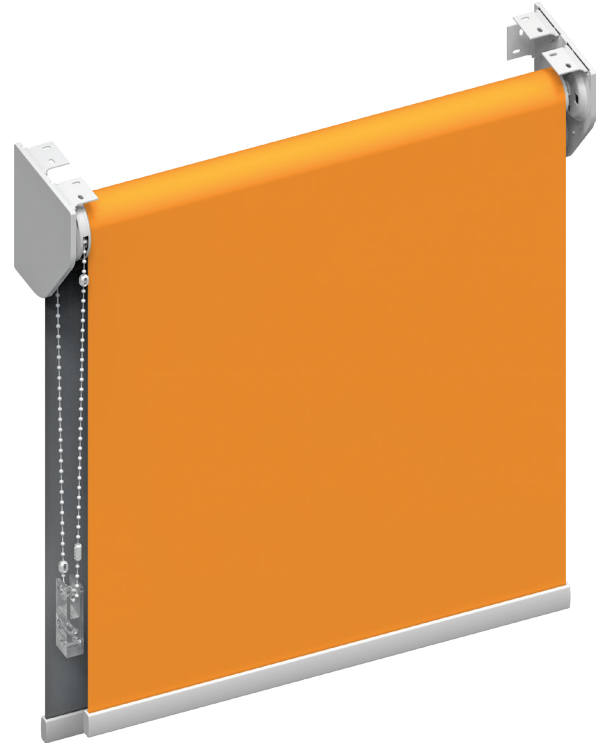


Please note: extension brackets do not come with covers.

colours available: white

# RM 45/45+ – fixing brackets

(RM 45, RM 45+) Double bracket



colours available: white, grey, black



# RM 45 fixing brackets

## Mounting profile

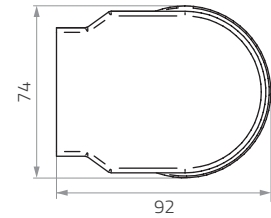
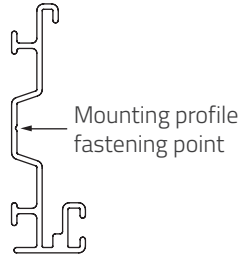


Please note: mounting plate is used with metal bracket only.

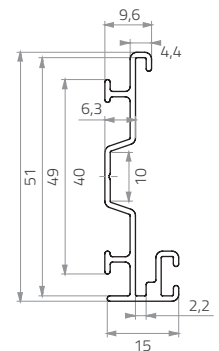
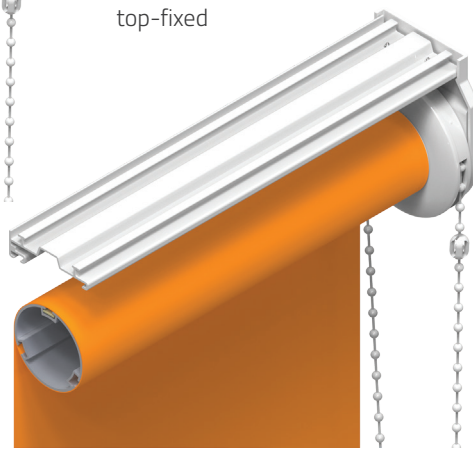
Three ways of mounting the roller blind on the mounting profile:

mounting plate fixed with screws:

wall-mounted

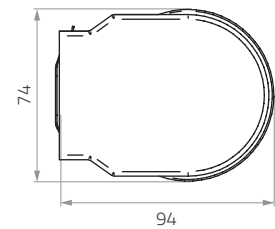


top-fixed

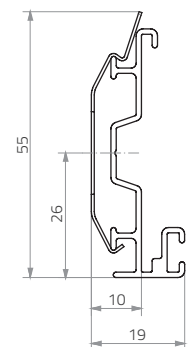
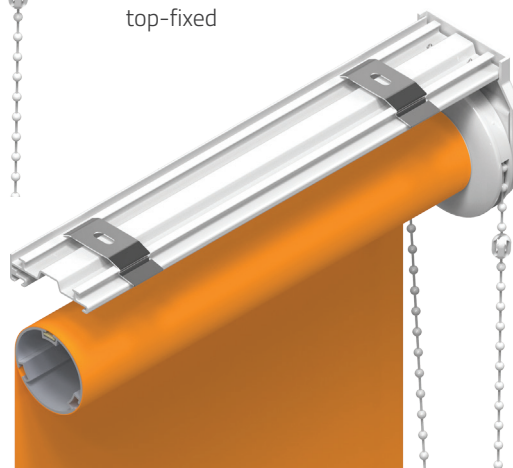


clip-fixed mounting profile:

wall-mounted



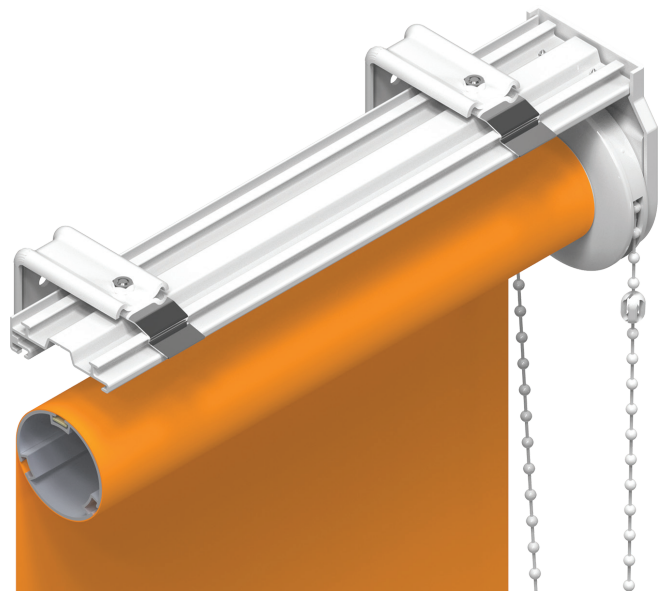
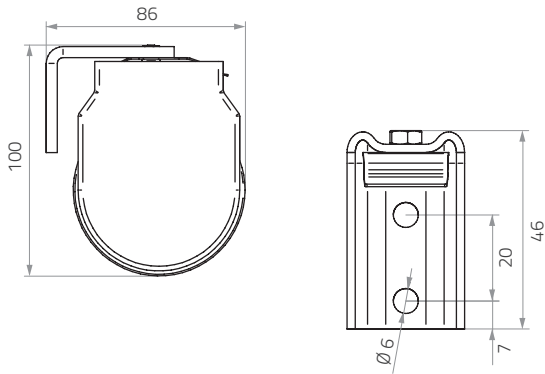
top-fixed





# RM 45 fixing brackets

wall bracket-fixed mounting profile



Please note: only zinc-coated mounting profile clips are available.

colours available: white

## Recommended number of brackets / mounting profile fixing points in blinds of different width


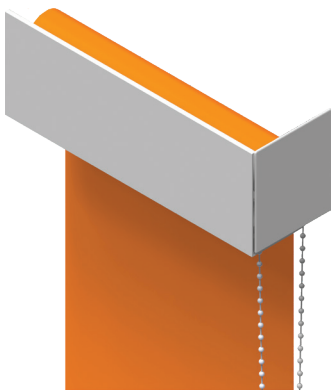

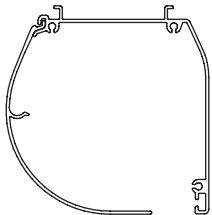

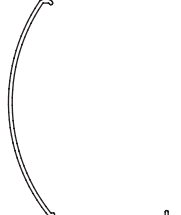
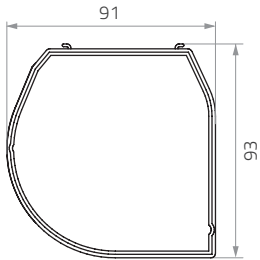
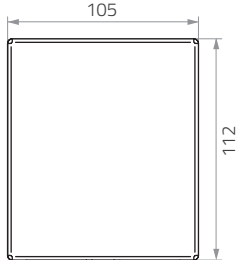
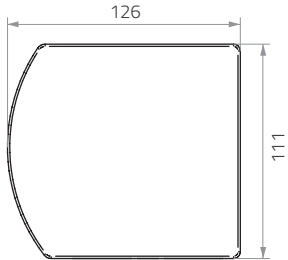


≤ 1000 mm	1001 - 1500 mm	1501 - 2000 mm	2001 - 2500 mm
2	3	4	5



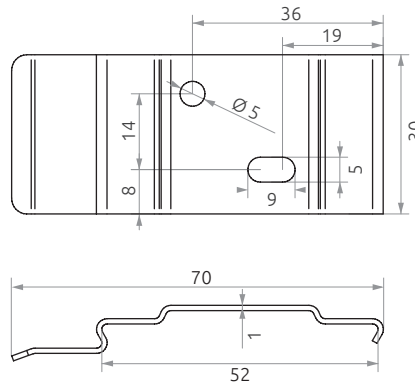
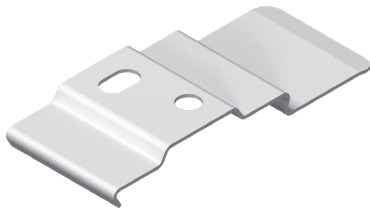
\* Concerns fixing on the side of control mechanism.

# RM 45/45+ Roller Blind System – cassettes and covers

	Closed cassette RM 45	Square cover RM 40/45+	Oval cover RM 40/45+
			
Cassette cross section			
Cassette with side cover - cross section			
Ball chain mechanism	white, silver anode, grey, anthracite, black, any RAL colour	white, any RAL colour	white, any RAL colour
Electric drive	white, silver anode, grey, black, any RAL colour	white, any RAL colour	white, any RAL colour

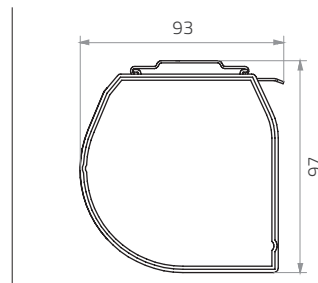
# RM 45/45+ Roller Blind system – fixing components

## Clip bracket (top fixing)

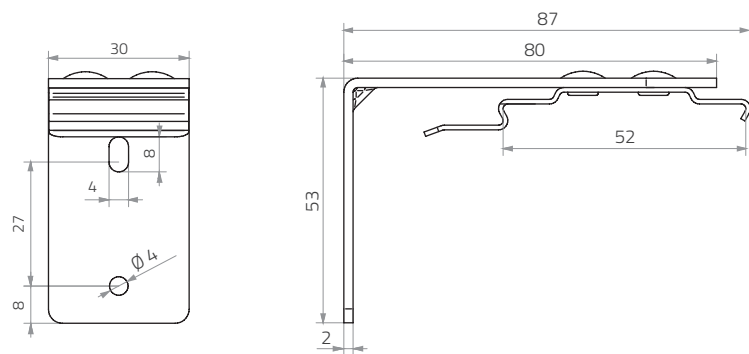
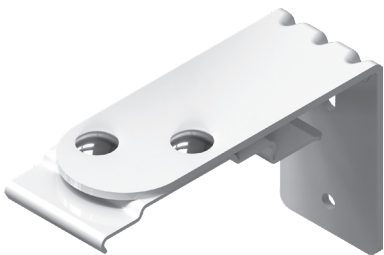


colours available: white, grey, black, any other RAL colour

### RM 45 closed cassette

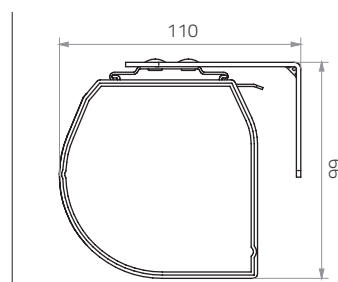


## Clip angle bracket – closed cassette (wall mounting)



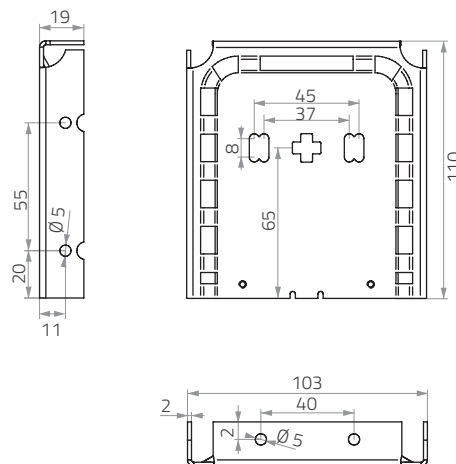
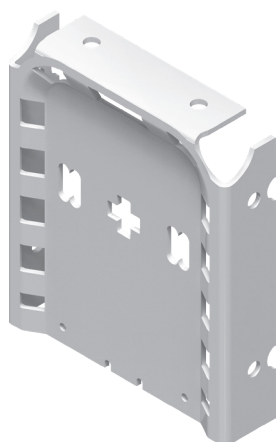
colours available: white, grey, black, any other RAL colour

### Closed cassette 45

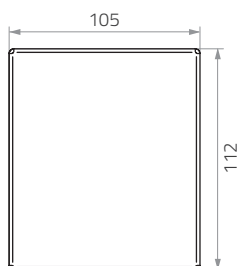


# RM 45/45+ Roller Blind system – fixing components

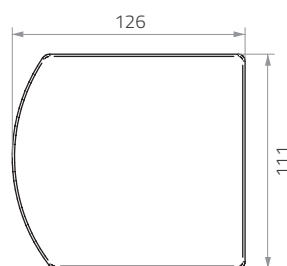
## Square / oval cover bracket (universal, oval)



Square cover RM 45/45+



Oval cover RM 45/45+



colours available: white, any other RAL colour



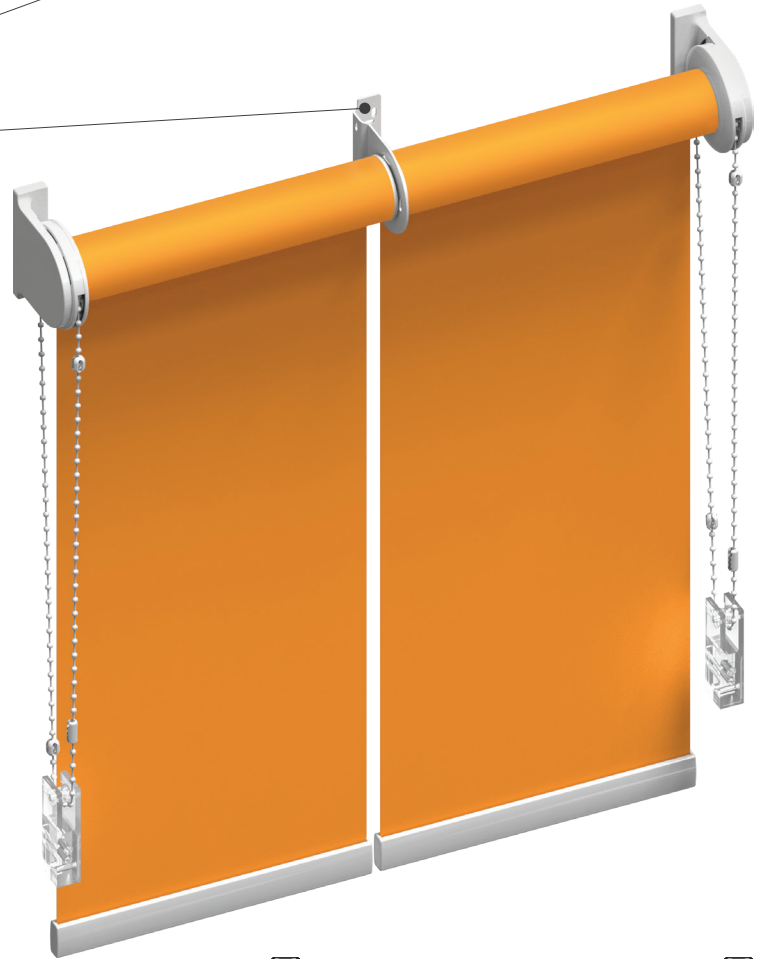
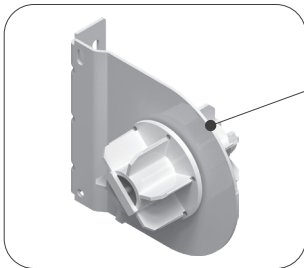
# RM 45/45+ – Duo Link Roller Blind System

## Duo Link

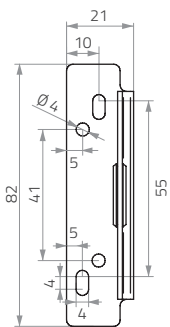
**Duo Link** allows to join two roller blinds controlled by independent drives. The blinds may be of different lengths and heights.

The set includes an intermediate bracket (joining the blinds at the intermediate point) as well as dedicated plunger ends.

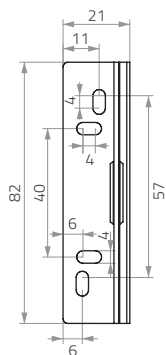
**Please note:** side control operating unit cannot be mounted on the connecting bracket.



Connecting bracket  
**RM 45**  
(intermediate)

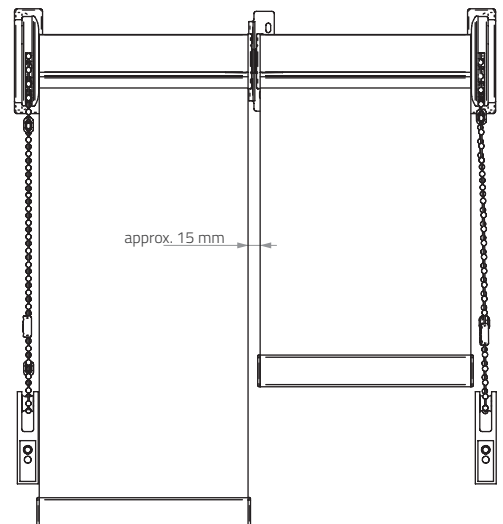


Connecting bracket  
**RM 45+**  
(intermediate)



colours available **RM 45**:  
white, cream, grey, black

colours available **RM 45+**:  
white, black



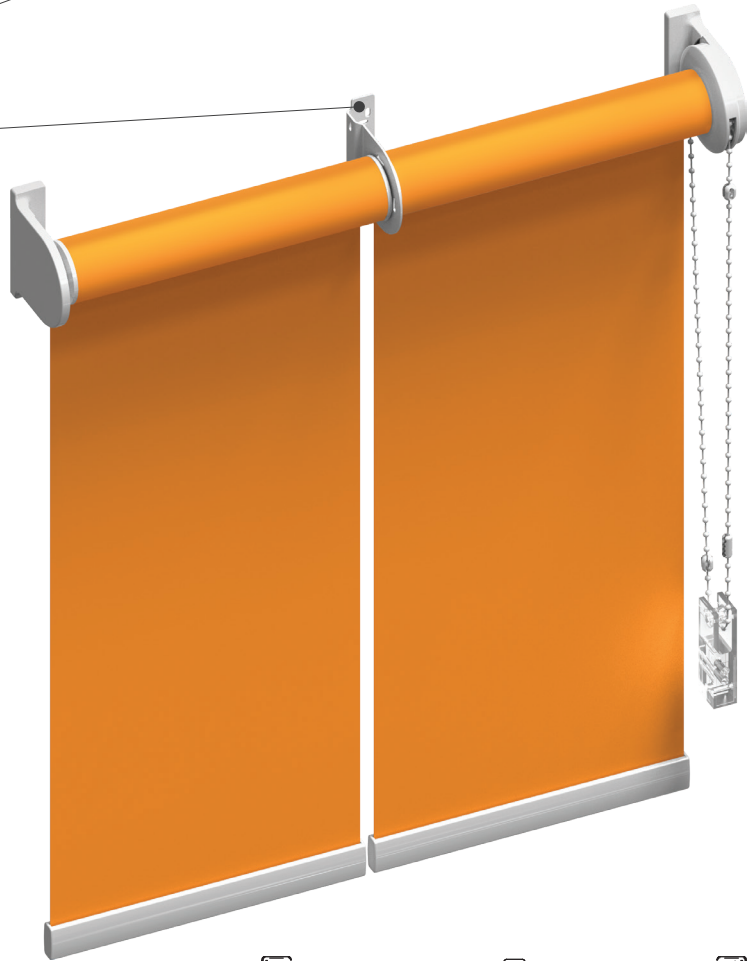
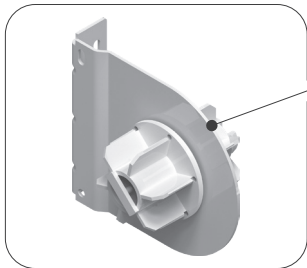
# RM 45/45+ – Multi Link Roller Blind System

## Multi Link

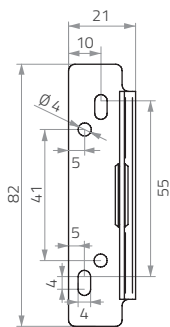
**Multi Link** allows to join two or more roller blinds controlled by a common drive. The blinds may be of different widths, but **the same height**.

The set includes an intermediate bracket (joining the blinds at the intermediate point) as well as dedicated plunger end, which functions as an adaptor.

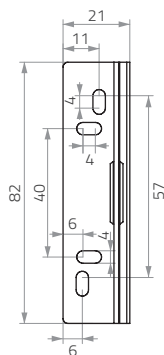
**Please note:** the side control operating unit may be mounted on the outside brackets only.



Connecting bracket  
**RM 45**  
(intermediate)

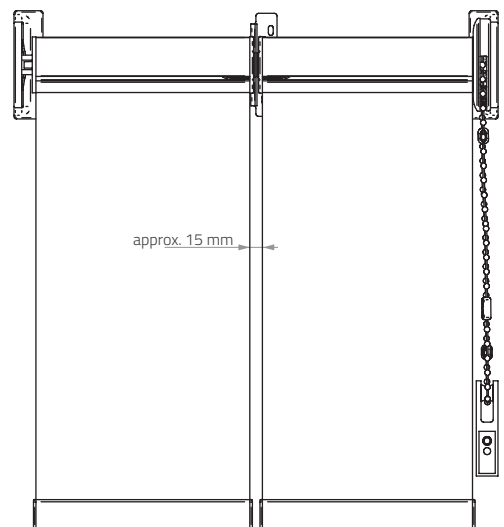


Connecting bracket  
**RM 45+**  
(intermediate)



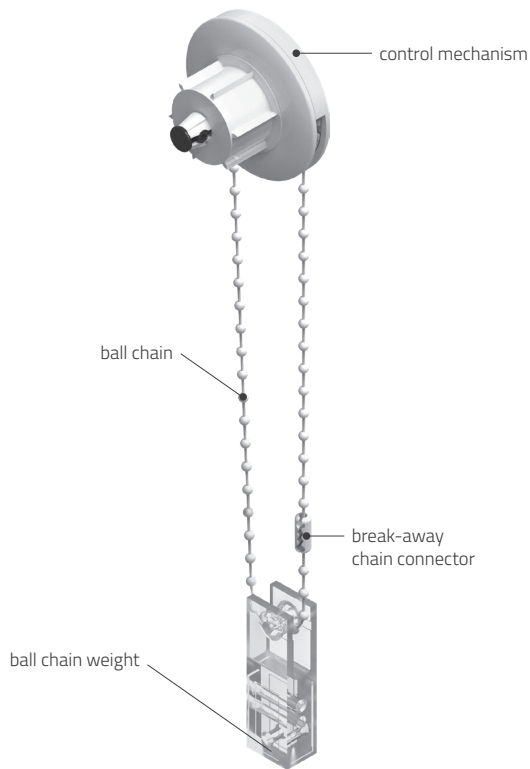
colours available **RM 45**:  
white, cream, grey, black

colours available **RM 45+**:  
white, black



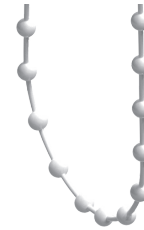
# RM 45/45+ roller blind – operation

## Ball chain mechanism



## Types of ball chain

### PVC ball chain



ball diameter: 4,5 mm

PVC ball chain is fitted with a break away chain connector (safety feature, fully compliant with PN-EN 13120:2014+A1 safety standard).

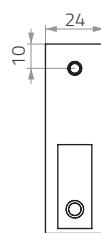
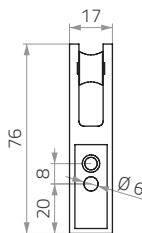
### metal ball chain (optional feature)



ball diameter: 4,5 mm

Metal ball chain is fitted with a safety cleat (safety feature, fully compliant with PN-EN 13120:2014+A1 safety standard).

## Safety cleat



### Ball chain weight / safety cleat

Break away chain connector functions as ball chain weight (no need to fasten it to wood joinery/wall).

Looped ball chain fastened to wood joinery/wall functions as safety cleat.

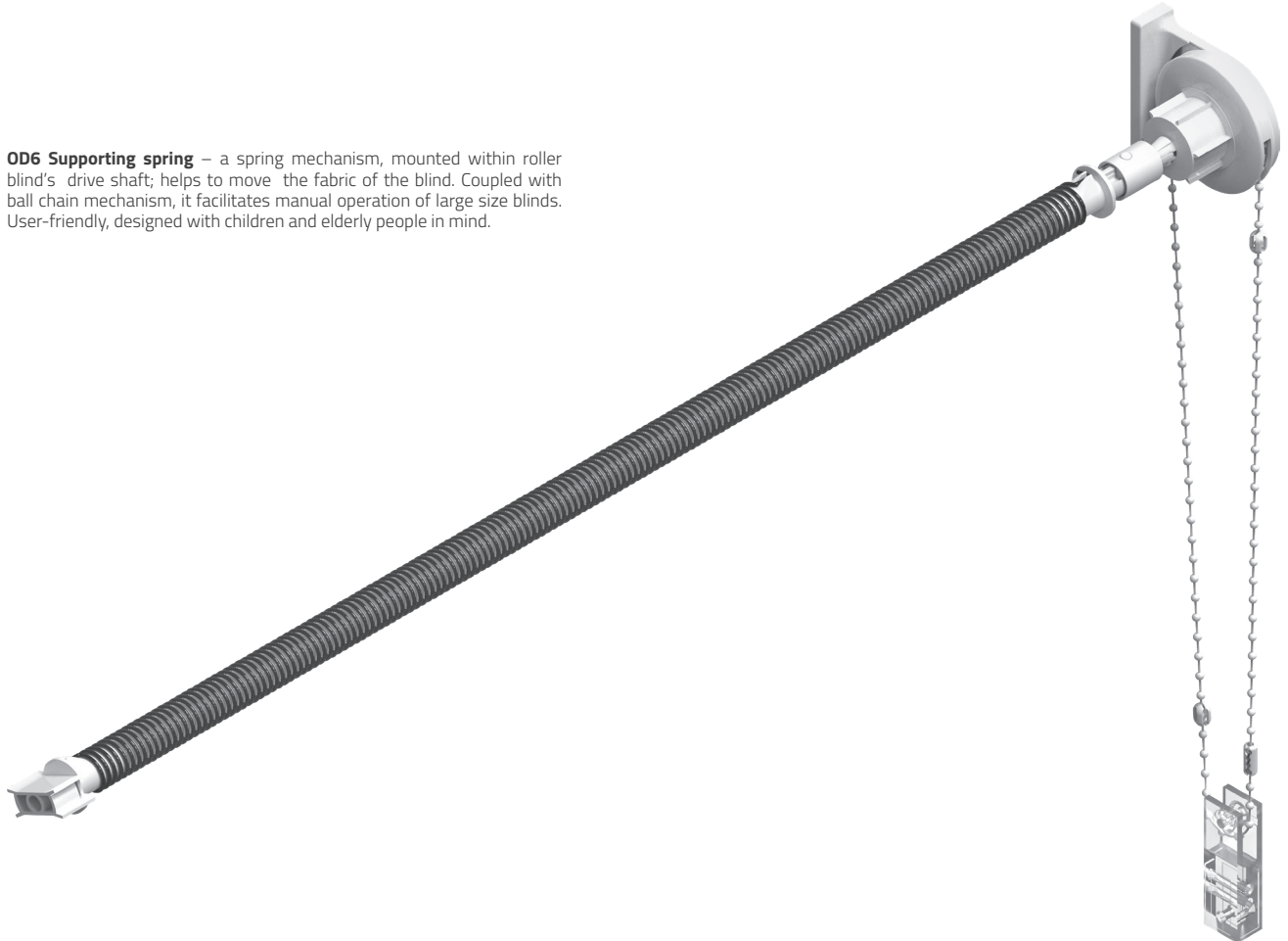
COLOUR	RM 45 metal bracket	RM 45+ metal bracket	RM 45 mounting profile	RM 45 closed cassette	RM 45 / 45+ square cover	RM 45 / 45+ oval cover
white	✓	✓	✓	✓	✓	✓
cream	✓					
brown						
silver anode				✓		
grey	✓			✓		
anthracite	✓			✓		
black	✓	✓		✓		
any RAL				✓	✓	✓



# Supporting spring RM 45 / RM 45+ – operation

## RM 45/45+ Supporting spring

**OD6 Supporting spring** – a spring mechanism, mounted within roller blind's drive shaft; helps to move the fabric of the blind. Coupled with ball chain mechanism, it facilitates manual operation of large size blinds. User-friendly, designed with children and elderly people in mind.



Control on the left hand side (view from the inside); supporting spring in blue.

Control on the right hand side (view from the inside); supporting spring in black.

	RM 45 / RM 45+	RM 45	RM 45+
	300 - 860 mm	861 - 3000 mm	861 - 3500 mm
1000 - 5000 mm	not applicable	✓	✓

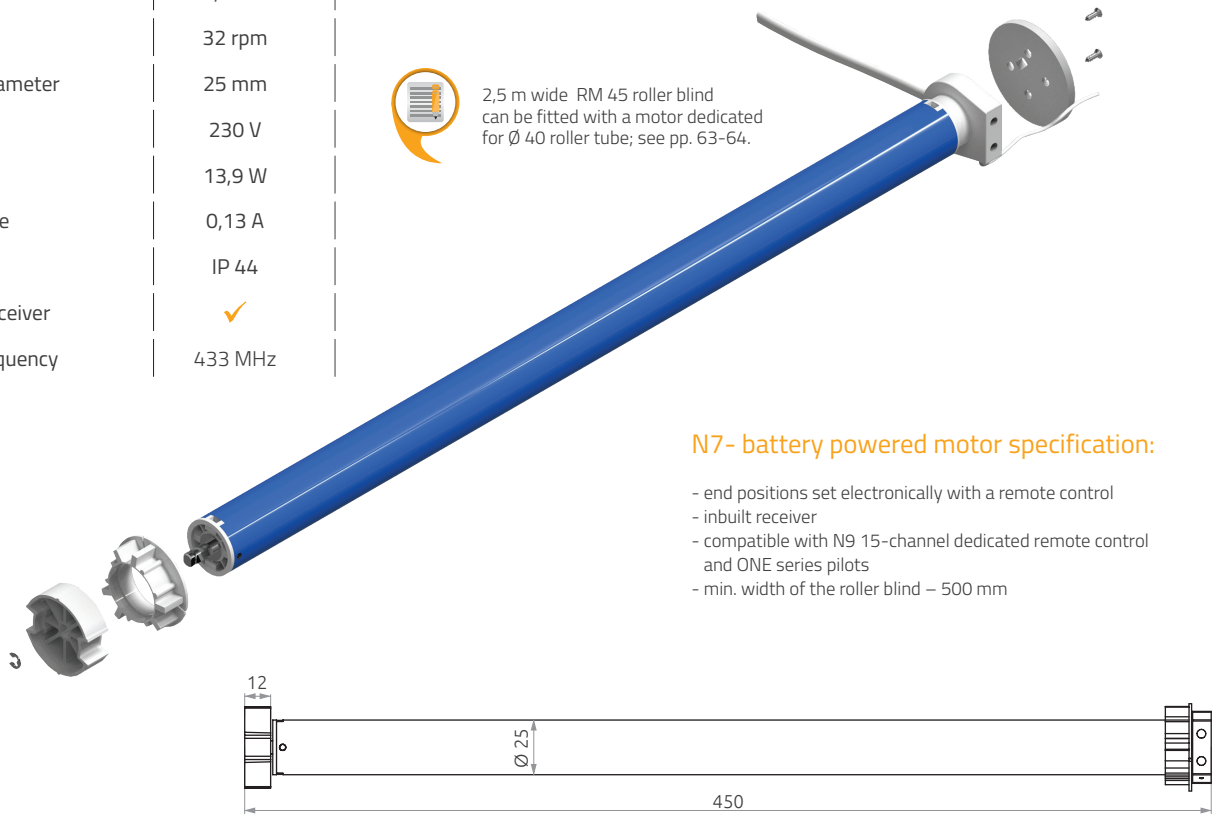
# RM 45 – motors and control

## N7 Radio-controlled electric motor

Motor parameters	
torque	1,5 Nm
RPM	32 rpm
motor diameter	25 mm
voltage	230 V
power	13,9 W
amperage	0,13 A
IP class	IP 44
inbuilt receiver	✓
radio frequency	433 MHz



2,5 m wide RM 45 roller blind can be fitted with a motor dedicated for Ø 40 roller tube; see pp. 63-64.



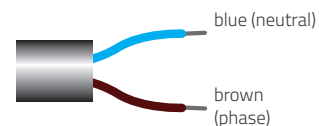
### N7- battery powered motor specification:

- end positions set electronically with a remote control
- inbuilt receiver
- compatible with N9 15-channel dedicated remote control and ONE series pilots
- min. width of the roller blind – 500 mm

### ONE series remote controls



### Connection scheme





length of cable: 2 m

COLOUR	RM 45 metal handle	RM 45+ metal handle	RM 45 mounting profile	RM 45 closed cassette	RM 45 / 45+ square cassette	RM 45 / 45+ oval cassette	
white	✓	not available	✓	✓	✓	✓	
cream							
brown							
silver anode					✓		
grey	✓				✓		
anthracite	✓				✓		
black					✓		
any RAL					✓	✓	✓

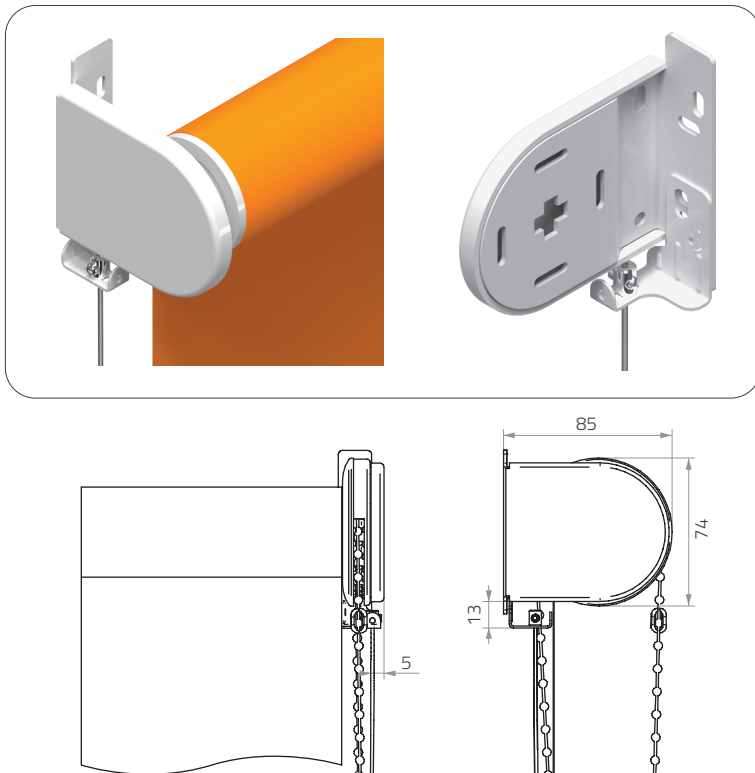
# RM 45 roller blind drives

## ELECTRIC DRIVES – 24V

Motor		Nominal torque (Nm)	Nominal RPM (obr./min.)	Nominal voltage (V)	Frequency (Hz)	Amperage (A)	Energy consumption (W)	IP protection class	Insulation class	Number of cores	Length of wire (m)	Total length (mm)	Length (mm)	Weight (kg)	Operation time (thermal protection) (min.)	Noise level (dB)	Operating temperature (°C)
somy.	 <b>Sonesse 30 DCT 2/28</b>	2	28	24	DC	max 3,2	–	IP 30	III	2	–	406	398	0,49	2,5	< 44	0 to +60
	 <b>Sonesse 30 DC RTS 2/28</b>	2	28	24	DC	max 3,2	–	IP 30	III	2	–	406	398	0,49	2,5	< 44	0 to +60

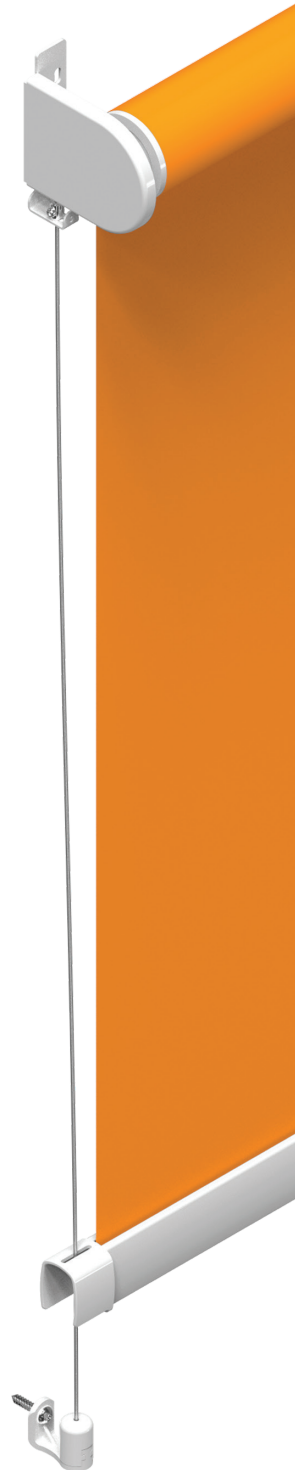
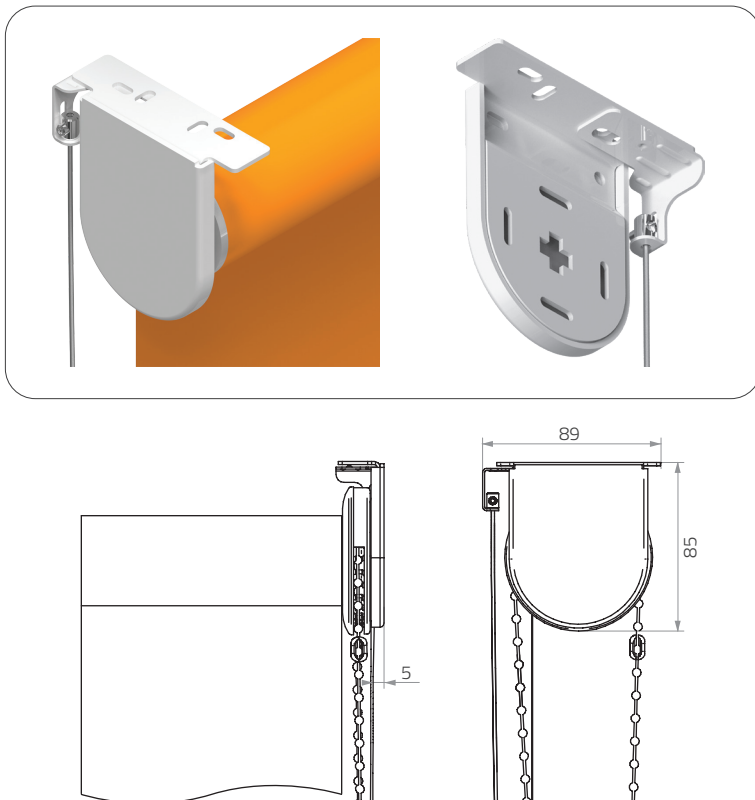
# RM 45/45+ – guide wire

## Fixing guide wire – wall mounting



Guide wire available with RM 45/45+ roller blind with metal bracket only.

## Fixing guide wire – top fixing



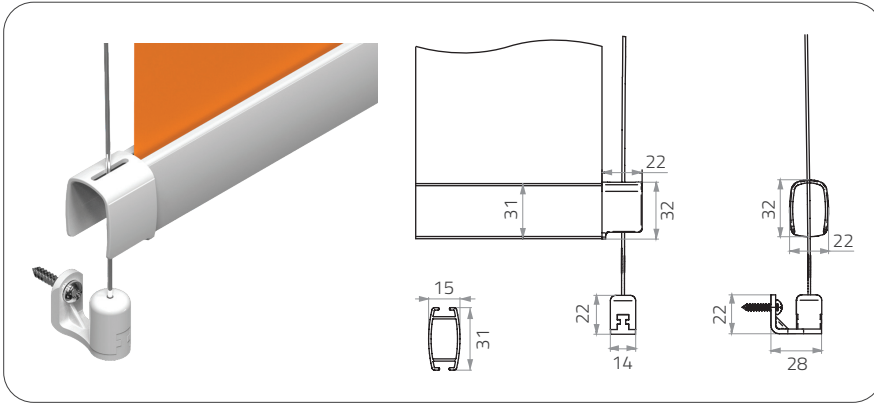
Cord guide brackets available in white only.

# RM 45/45+ – guide wire

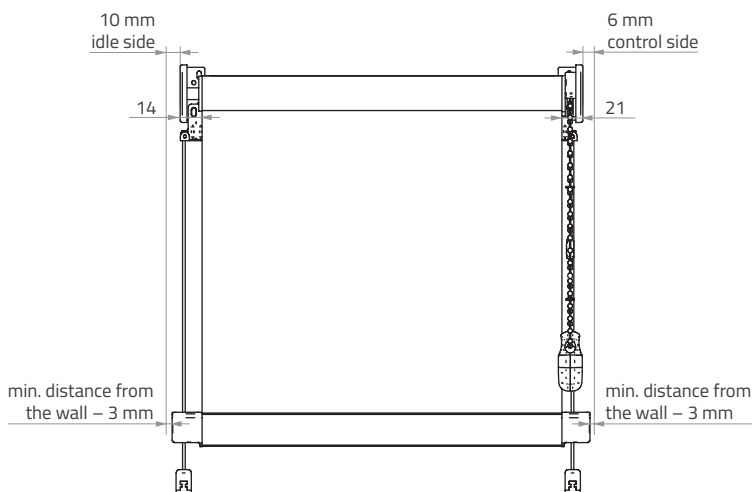
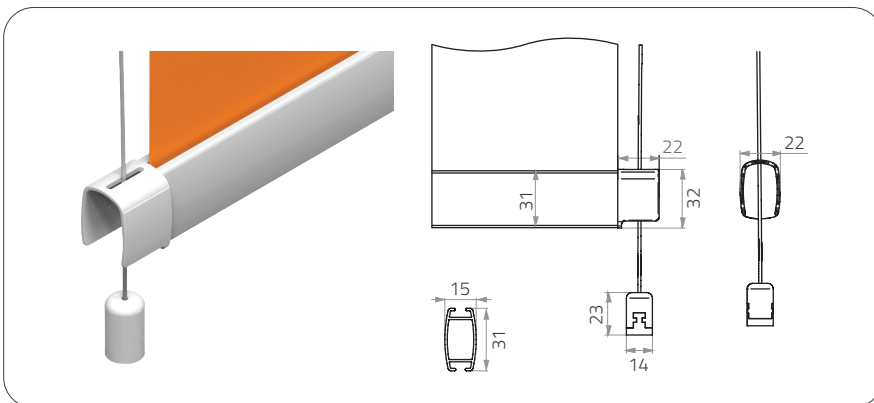
Guide wire bracket (bracket A)  
- wall/window mounting



Steel wire available in 2 options:  
- 1 mm – PVC coated steel wire  
- 1,2 mm – PVC coated stainless steel wire



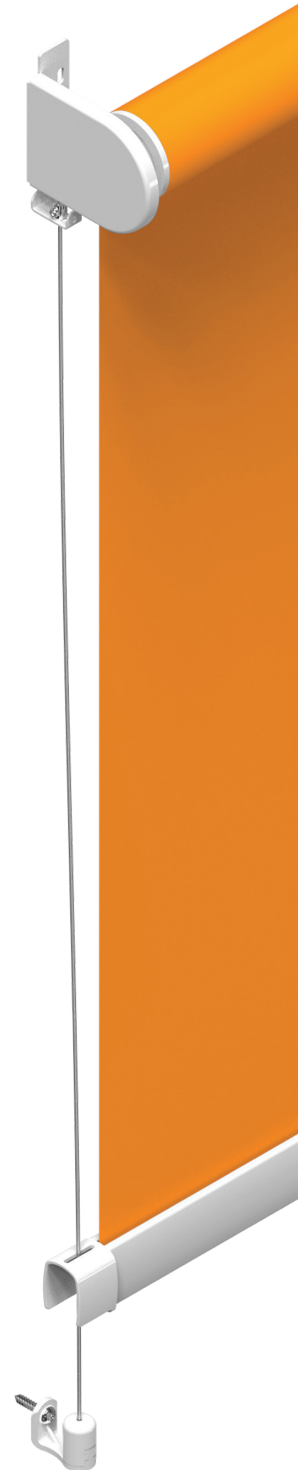
Guide wire bracket (bracket B)  
- wall/window sill mounting



Please note: bottom bar is 10 mm wider than overall dimension



With cable guide bottom bar/weight dimensions are subject to change.



RM 55



---

## RM 55

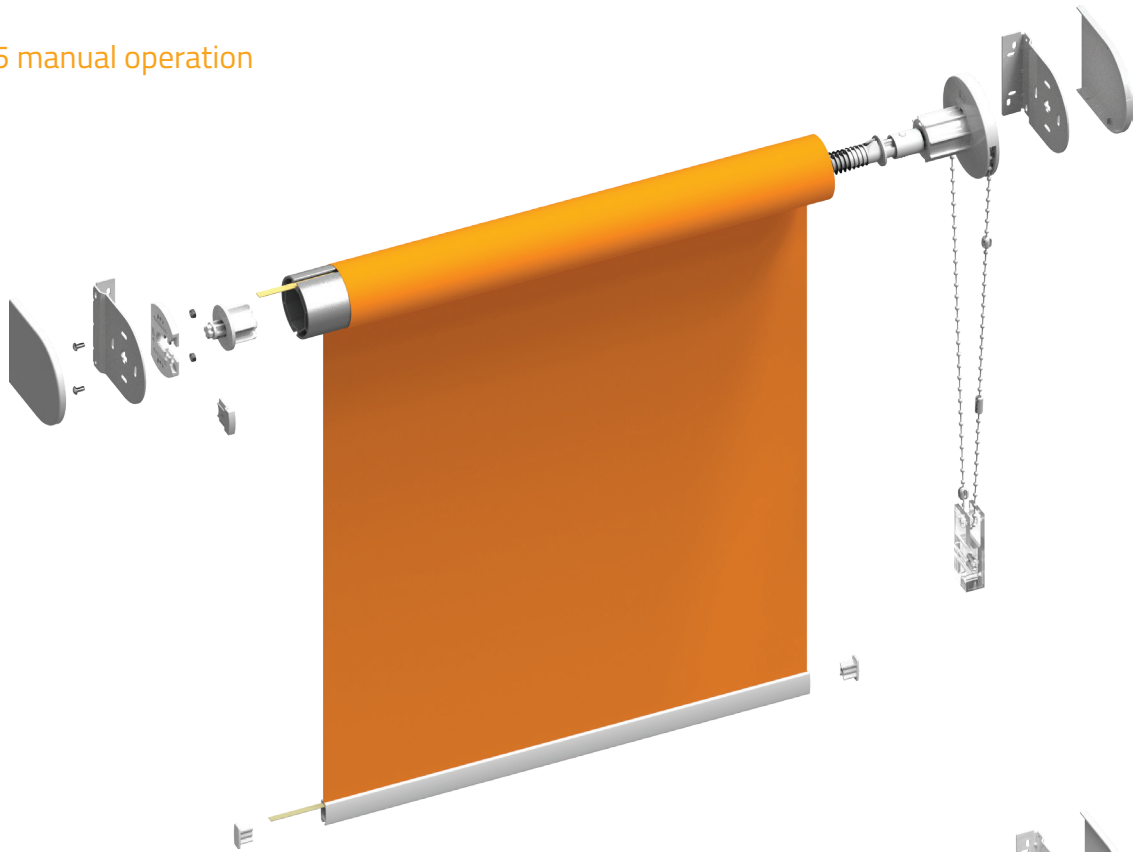
---

Dimensions	92 - 93
Fixing brackets	94
Closed cassette	94
Cassette fixing brackets	95
Control	96 - 97
Motors and control	98 - 99
Guide wire system	100 - 101

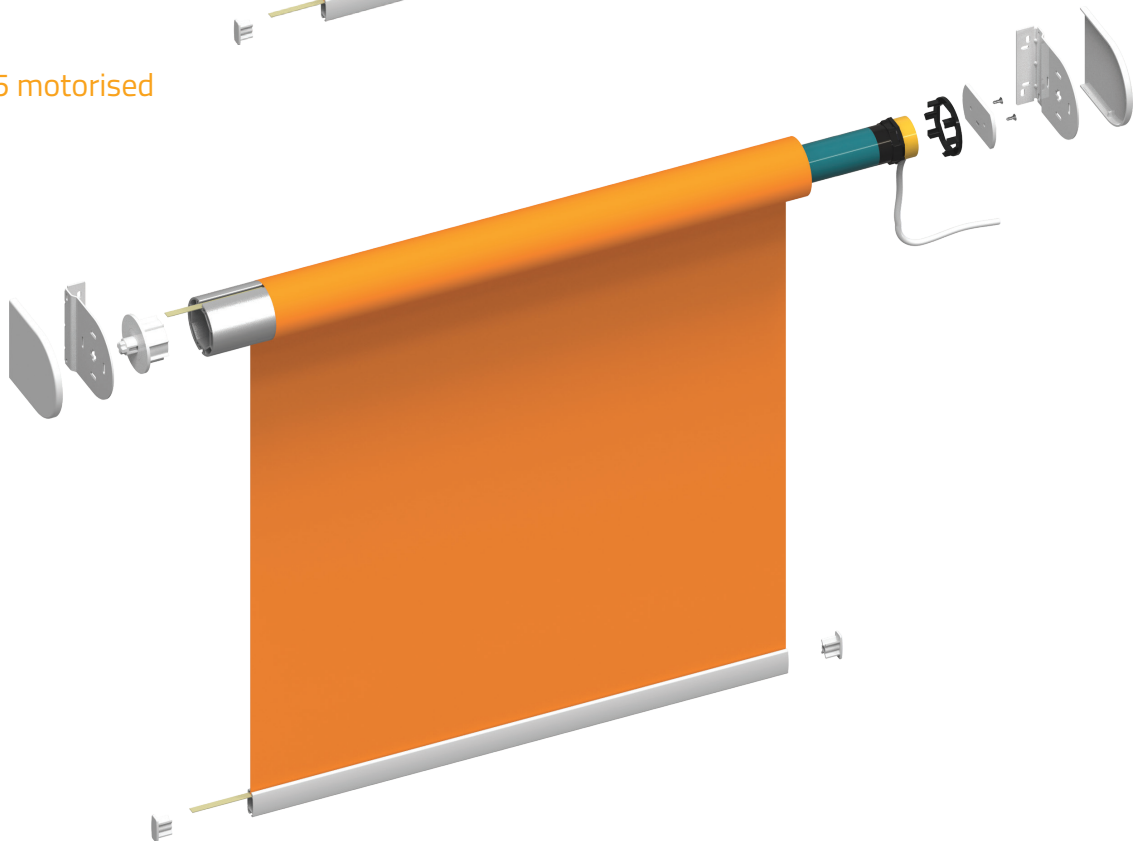
# RM 55 Roller Blind System – dimensions

	max. width	max. height	max. total surface area
RM 55	4000 mm	5000 mm	20 m <sup>2</sup>

## RM 55 manual operation

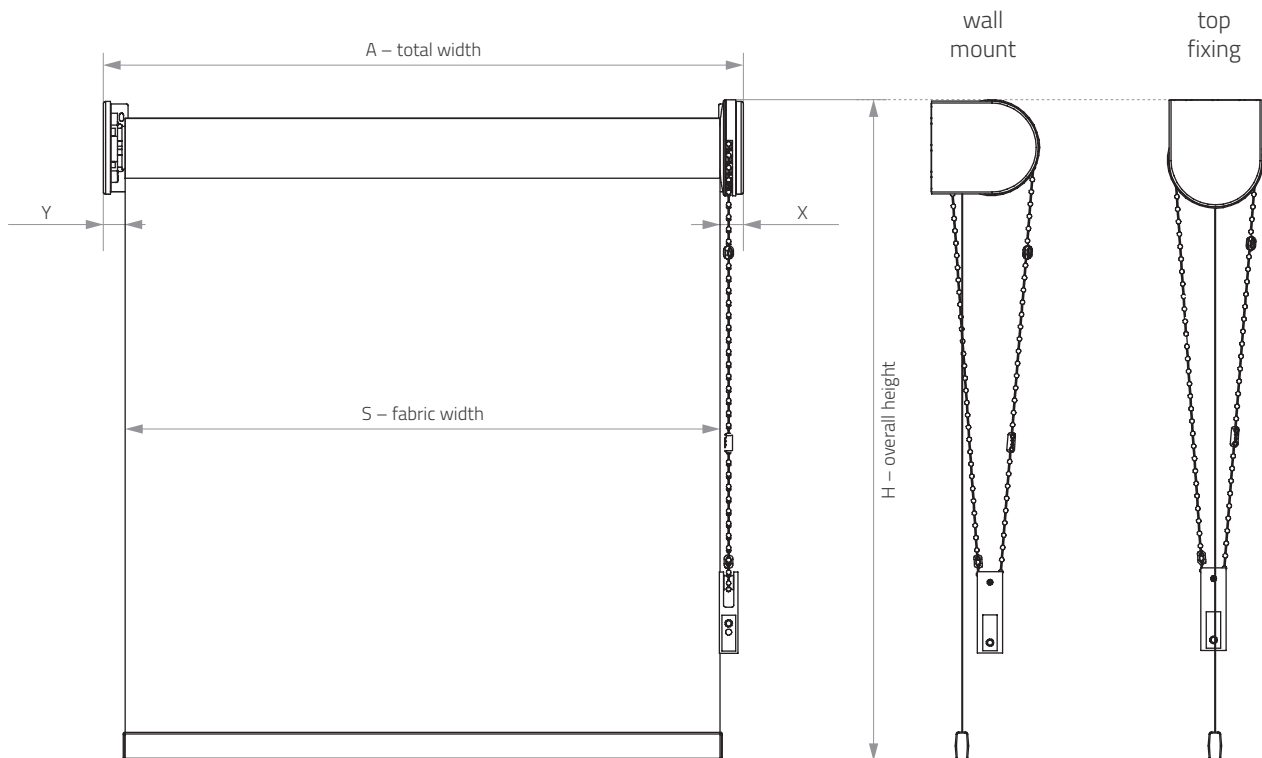


## RM 55 motorised





# RM 55 Roller Blind System – dimensions



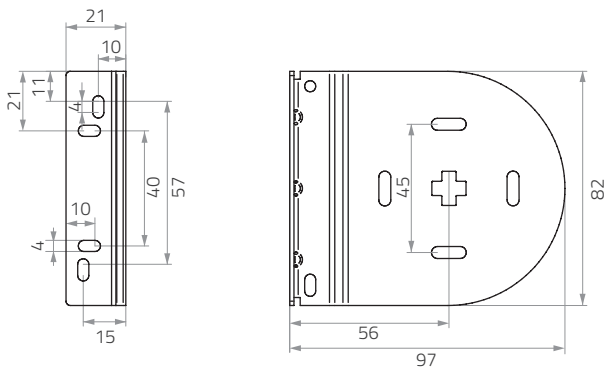
Depending on measurements taken, the client provides one width dimension only (A or S).

## The difference between overall width and fabric width

	RM 55 manual operation	RM 55 motorised
TOTAL	42 mm	48 mm
Control End <b>X</b>	22 mm	30 mm
Idle End <b>Y</b>	20 mm	18 mm

# System RM 55 Roller Blind System – fixing components

## RM 55 metal bracket



Device ensuring that the roller tube is safely seated in the metal bracket.  
Comes with manually operated blinds only.

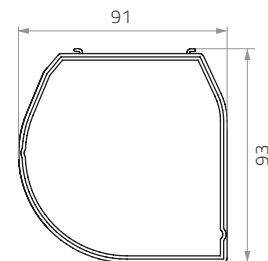
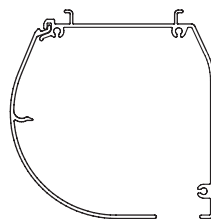
colours available: white

# System RM 55 Roller Blind System – cassette

Closed cassette RM 55

Cassette cross section

Cassette with side cover – cross section



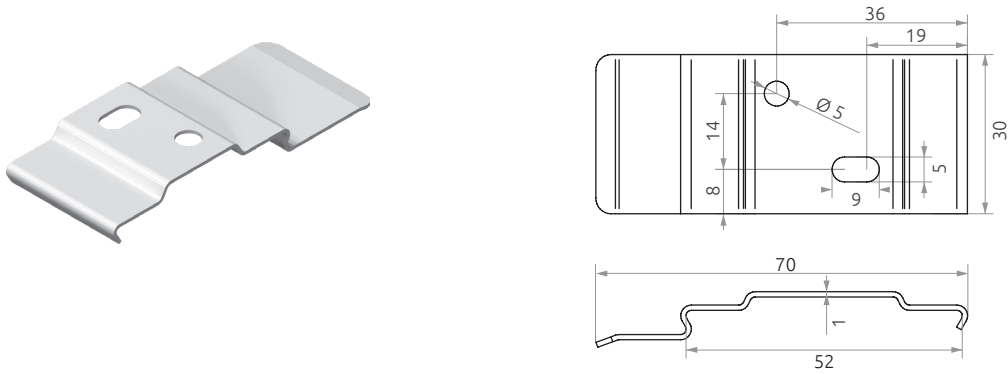
colours available: white, grey, anthracite, black, any RAL colour



RM 55 hand-driven roller blind (closed cassette) is unavailable.

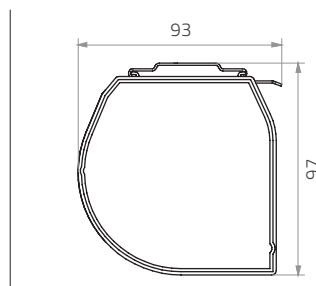
# System RM 55 Roller Blind System – fixing components

## Clip bracket (top fixing)

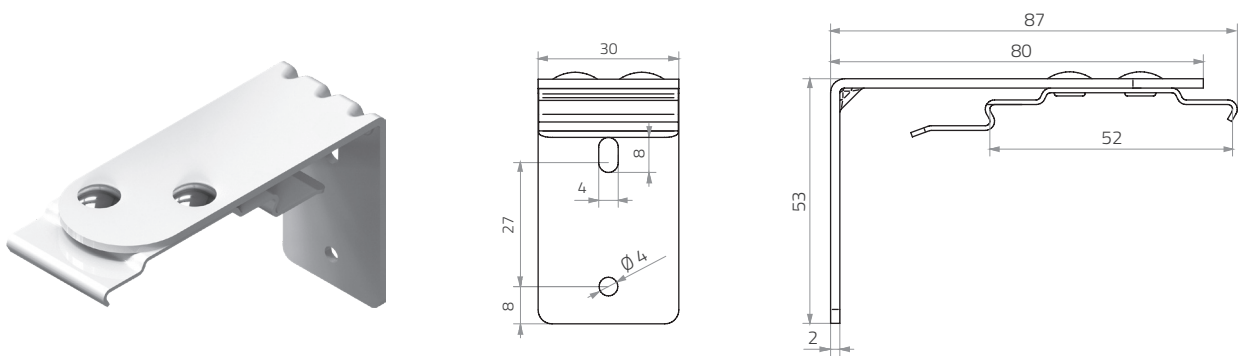


colours available: white, grey, anthracite, black, any other RAL colour

RM 55 closed cassette

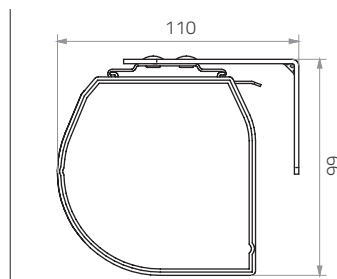


## Clip angle bracket – closed cassette (wall mounting)



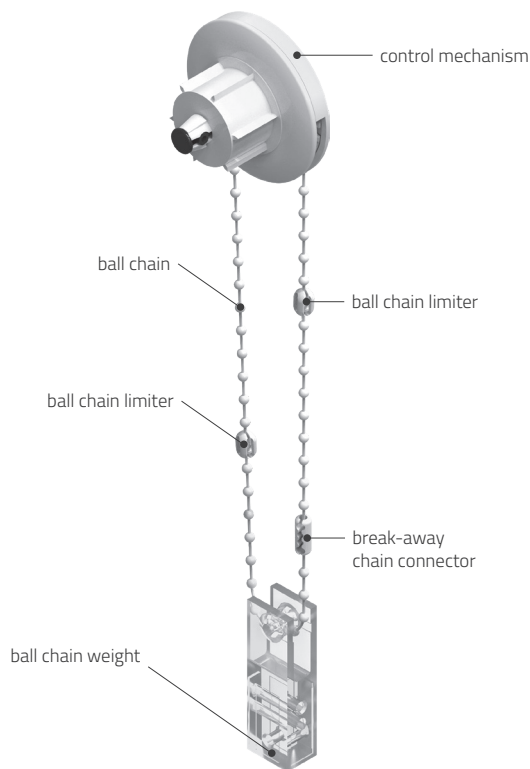
colours available: white, grey, black, any other RAL colour

RM 55 closed cassette



# RM 55 roller blind – operation

## Ball chain mechanism



Please note: RM 55 hand-driven roller blind (closed cassette) is not an option on offer.

## Types of ball chain

### PVC ball chain



ball diameter: 4,5 mm

PVC ball chain is fitted with a break away chain connector (safety feature, fully compliant with PN-EN 13120:2014+A1 safety standard).

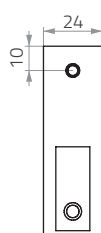
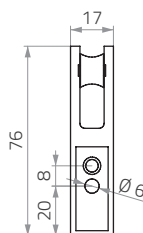
### metal ball chain (optional feature)



ball diameter: 4,5 mm

Metal ball chain is fitted with a safety cleat (safety feature, fully compliant with PN-EN 13120:2014+A1 safety standard).

## Safety cleat



### Ball chain weight / safety cleat

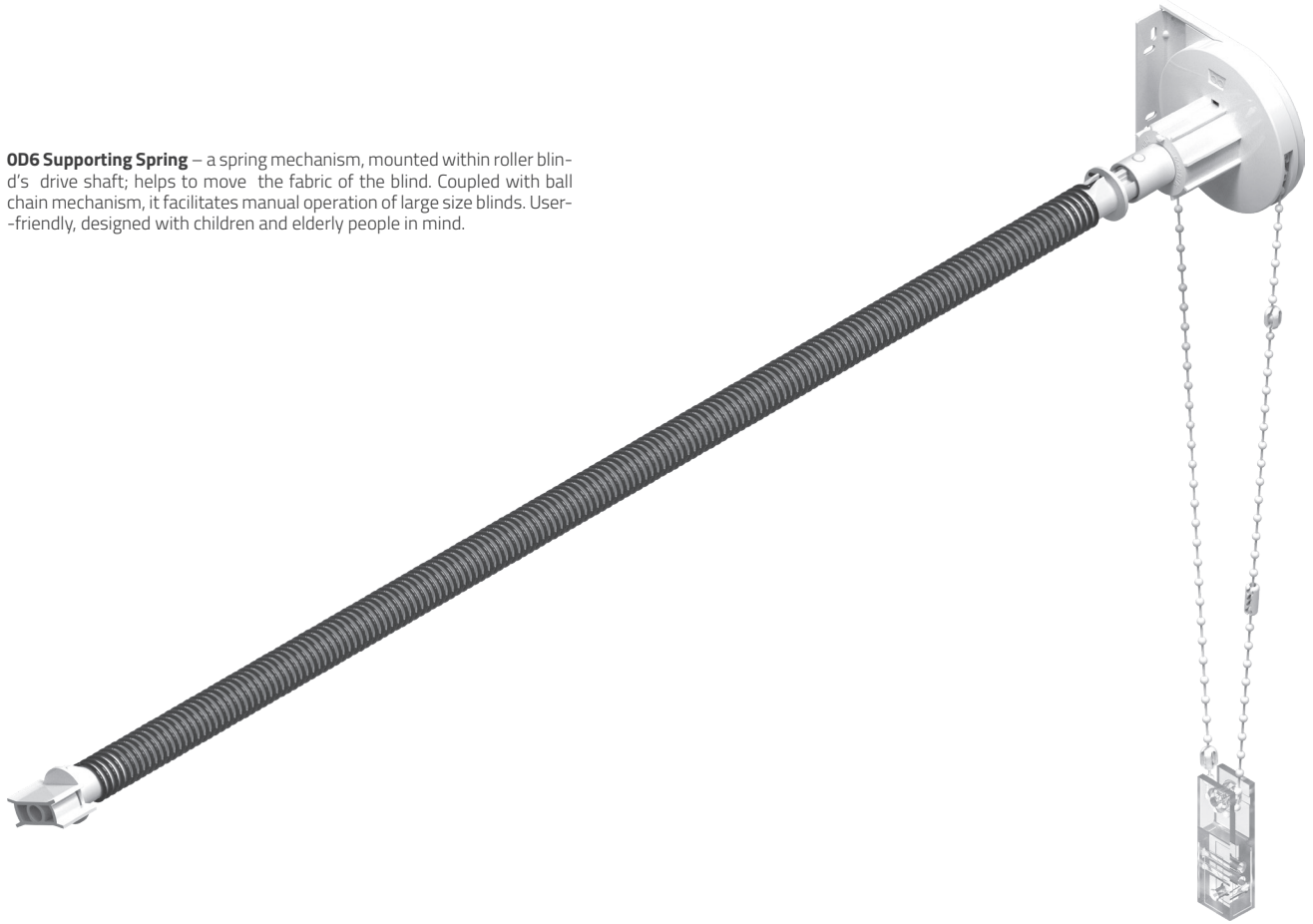
When used with a break-away chain connector, safety cleat functions as ball chain weight (no need to fasten it to wood joinery/wall).

Coupled with looped ball chain and fastened to wood joinery /wall, the component functions as safety cleat.

# RM 55 Roller Blind – operation

## RM 55 Supporting spring

**OD6 Supporting Spring** – a spring mechanism, mounted within roller blind's drive shaft; helps to move the fabric of the blind. Coupled with ball chain mechanism, it facilitates manual operation of large size blinds. User-friendly, designed with children and elderly people in mind.



Control on the left hand side (view from the inside); supporting spring in blue.

Control on the right hand side (view from the inside); supporting spring in black.

RM 55		
	300 - 860 mm	861 - 3000 mm
1000 - 5000 mm	not applicable	✓

# RM 55 – motors and control

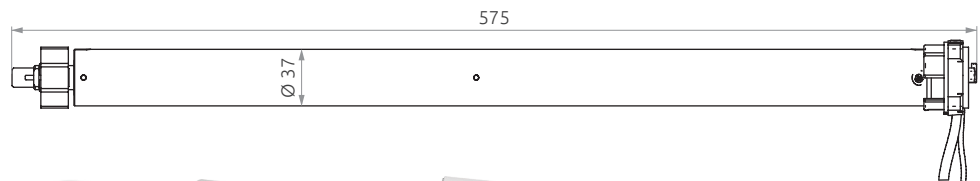
## N8 radio-controlled electric motor

Motor parameters	
torque	6 Nm
RPM	28 rpm
motor diameter	35 mm
voltage	230 V
power	144 W
amperage	0,63 A
IP class	IP 44
inbuilt receiver	✓
radio frequency	433 MHz



### N8 motor specification:

- end positions set electronically with a remote control
- inbuilt receiver (compatible with N9 15-channel dedicated remote control) and ONE series pilots
- compatible with 55 mm tube
- min. width of the roller blind – 700 mm



### ONE series remote controls



ONE X1  
5-channel



ONE X2  
15-channel

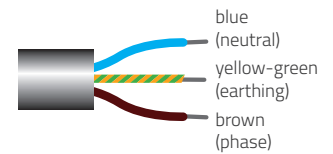


ONE X4  
30-channel



N9  
15-channel

### Connection scheme



length of cable: 2 m

## ELECTRIC MOTORS – 230 V

Motor	Nominal torque (Nm)	Nominal RPM	Nominal voltage (V)	Frequency (Hz)	Amperage (A)	Energy consumption (W)	IP protection class	Insulation class	Number of cores	Length of wire (m)	Total length (mm)	Length (mm)	Weight (kg)	Operation time (thermal protection) (min.)	Noise level (dB)	Operating temperature (°C)	
e l e r o s o m f y.	Screen 40 Up 4,5/50	4,5	50	230	50	0,52	110	IP 44	II	3	2,5	485	469	1,05	4	52	-10 to +40
	Sonesse 40 PA	3	30	230	50	max 1,3	95	IP 44	II	3	2,5	476	462	1,25	5	< 42	0 to +60
	TT Go S 6/19	6	19	230	50	0,49	116	IP44	b/d	4	2	531	518	1,3	4	b/d	-20 to +60
	VariEco S 5/30	5	30	230	50	max 0,73	168	IP 44	II	4	2	534	518	1,2	4	39	-20 to +60
	RolTop S 3/30	3	30	230	50	max 0,55	130	IP 44	II	4	2	534	518	1,2	4	36	-20 to +60

# RM 55 roller blind motors

## E6 – battery-operated, radio-controlled motor

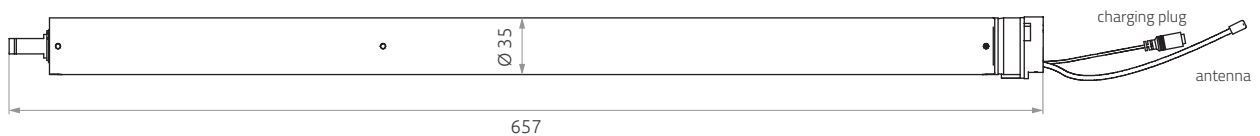


Motor parameters	
Torque	10 Nm
RPM	9 obr./min.
Motor diameter	35 mm
Supply voltage	DC 12 V
Power	21 W
Amperage	1,75 A
IP class	IP 44
Inbuilt receiver	✓
Radio frequency	433 MHz

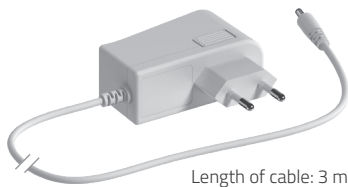


### E6 – battery-powered motor specification

- end positions set electronically with a remote control
- inbuilt receiver
- compatible with series ONE remote controls
- dedicated for 40 mm roller tube
- min. width of the roller blind – 800 mm
- battery-powered (Li-ion battery built into the housing)
- easy mount – no need for power supply cable
- low power consumption results in extended operating time



### E6 battery-powered motor charger



### ONE series remote controls

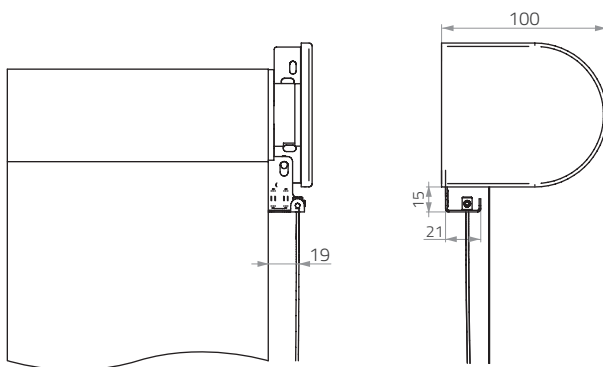
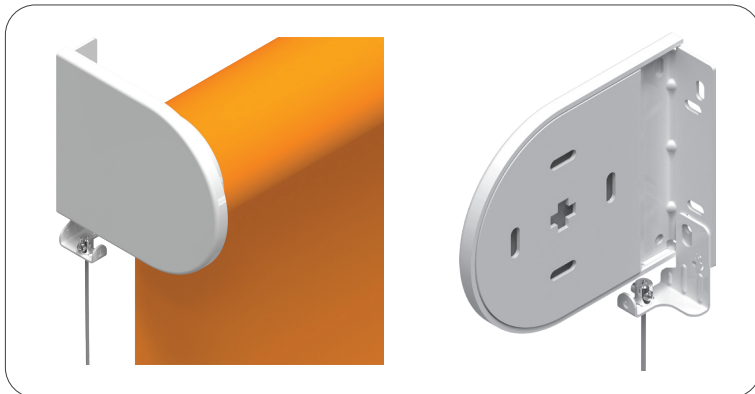


## ELECTRIC MOTORS – 230 V

Motor	Nominal torque (Nm)	Nominal RPM	Nominal voltage (V)	Frequency (Hz)	Amperage (A)	Energy consumption (W)	IP protection class	Insulation class	Number of cores	Length of wire (m)	Total length (mm)	Length (mm)	Weight (kg)	Operation time (thermal protection) (min.)	Noise level (dB)	Operating temperature (°C)
<b>Altus 40 RTS 3/30</b>	3	30	230	50	max 1,3	80	IP 44	II	2	3	497	473	b/d	4	b/d	0 to +60
<b>Sonesse 40 RTS</b>	3	30	230	50	max 1,3	95	IP 44	II	2	2,5	517	503	1,22	5	< 42	0 to +60
<b>Sonesse 40 io 6/20</b>	6	20	230	50	max 0,55	120	IP31	II	2	2,5	535	511	1,25	4	< 44	0 to +60
<b>RoITop T 868</b>	5	30	230	50	max 0,73	168	IP 44	II	4	2	534	518	1,3	4	39	-20 to +60
<b>RoITop S 868</b>	3	30	230	50	max 0,55	130	IP 44	II	4	2	534	518	1,2	5	36	-20 to +60

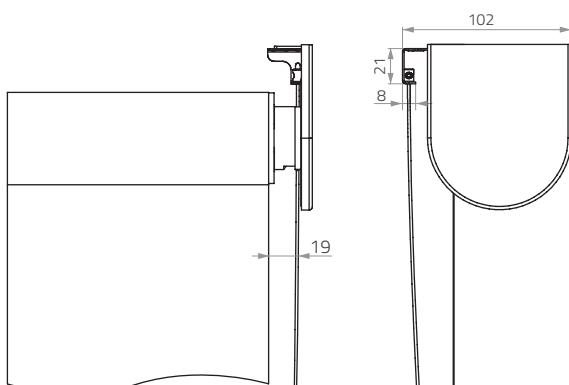
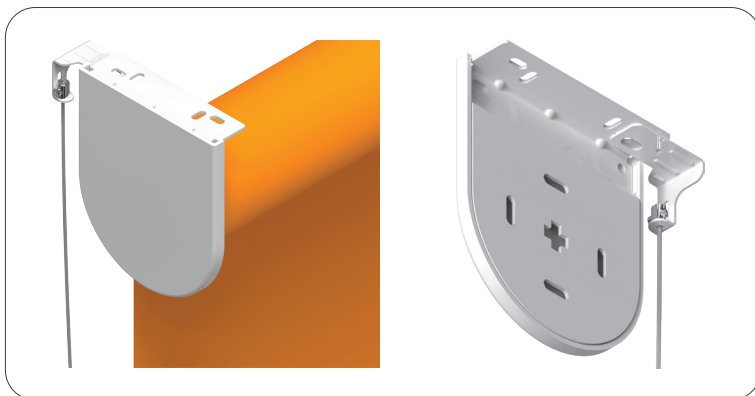
# RM 55 – guide wire

## Fixing guide wire – wall mounting

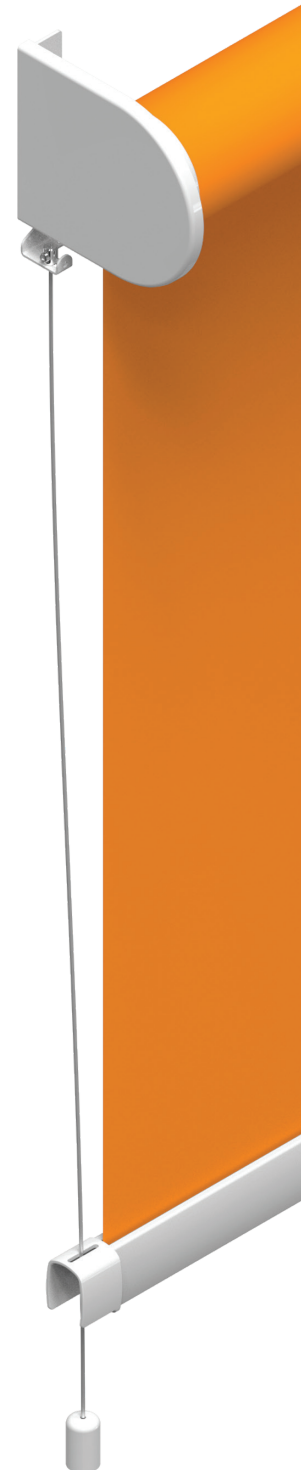


Guide wire available with RM 55 roller blind with metal bracket only.

## Fixing guide wire – top fixing



Cord guide brackets available in white only.



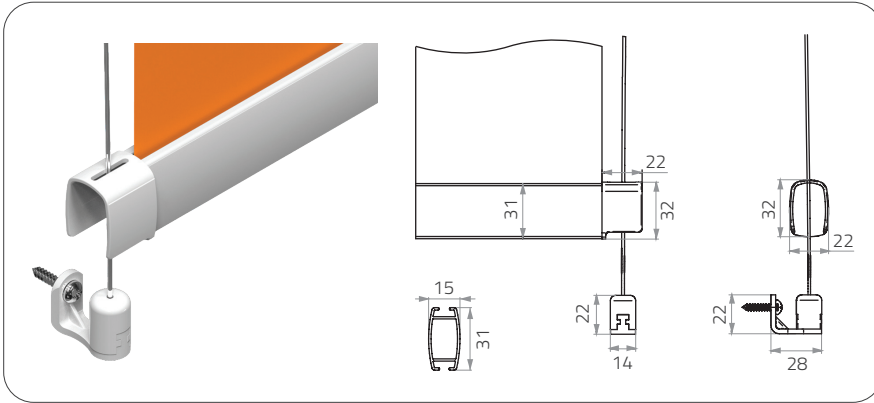


# RM 55 – guide wire

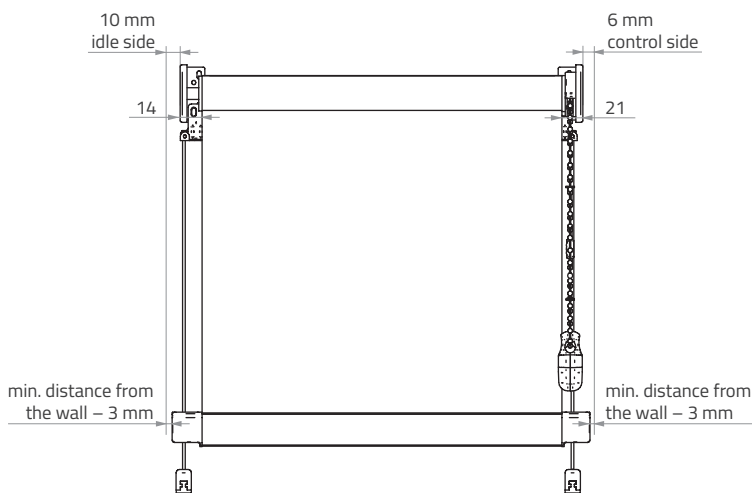
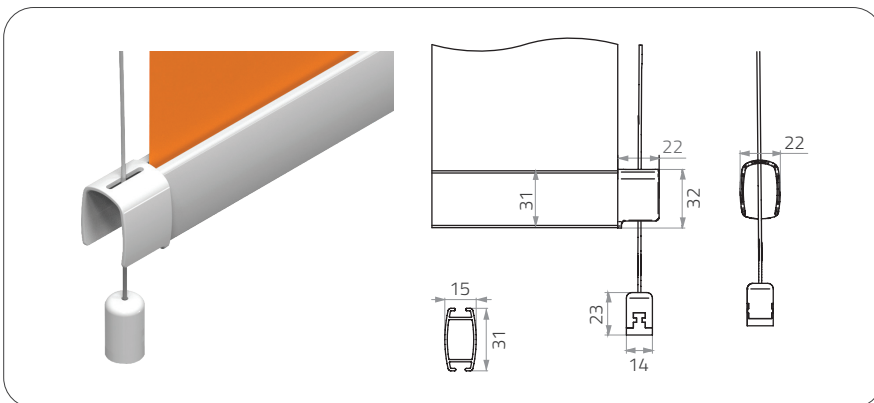
Guide wire bracket (bracket A)  
- wall/window mounting



Steel wire available in 2 versions:  
- 1 mm – PVC coated steel wire  
- 1,2 mm – PVC coated stainless steel wire



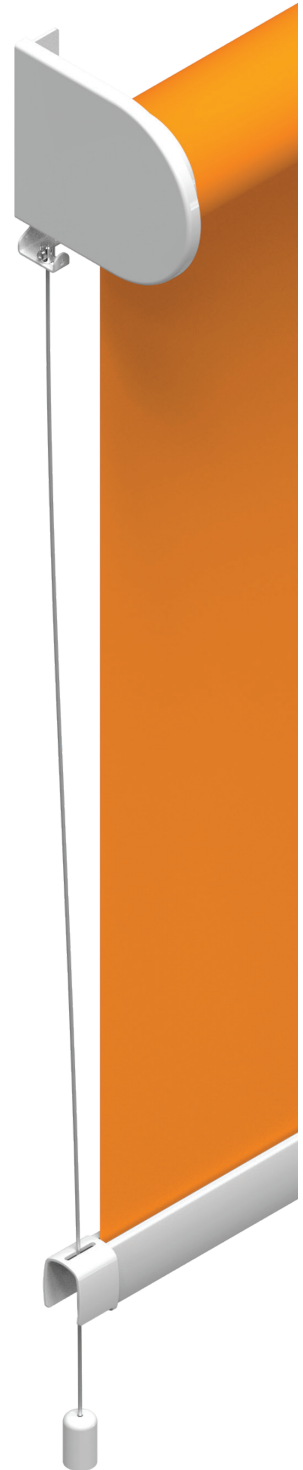
Guide wire bracket (bracket B)  
- floor/window sill mounting



Please note: bottom bar is 10 mm wider than overall dimension



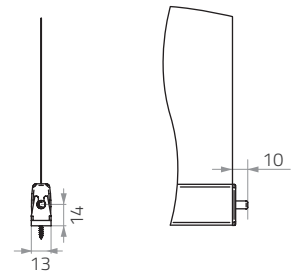
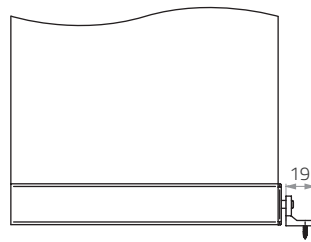
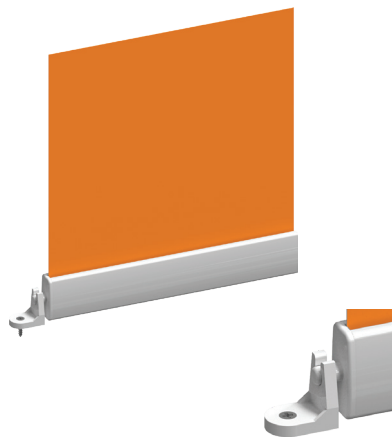
In cable guide, bottom bar dimensions are subject to change.





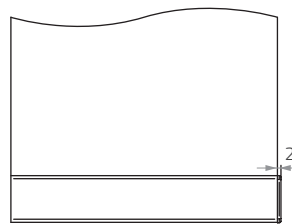


## Roller blind system – bottom bar bracket



The standard roller blind is manufactured without bottom bar bracket (option free of charge).

## RM 32 roller blind system – fabric weights



fabric wrapped bottom bar  
(on both sides)

fabric wrapped bottom bar  
(on one side)

aluminium bottom bar  
with fabric tucked inside



transparent  
fabrics

fabric thickness  $\leq 0,55$  mm  
or / and  
blind width  $< 3500$  mm

fabric thickness  $> 0,55$  mm  
or / and  
blind width  $> 3500$  mm

rubberised fabrics  
(colour-coordinated  
rubberised side)

blind width  $\leq 3500$  mm

blind width  $> 3500$  mm

rubberised fabrics  
(rubberised side in white)

blind width  $\leq 3500$  mm

blind width  $> 3500$  mm

technical fabrics

blind width  $\leq 3500$  mm

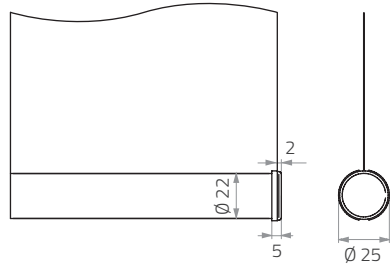
blind width  $> 3500$  mm

# Roller blind system – bottom weights



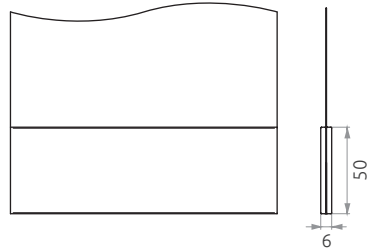
Please note: W4, W5, W6 bottom weights are not available for RM 32 – PVC bracket

W4 – round bottom bar



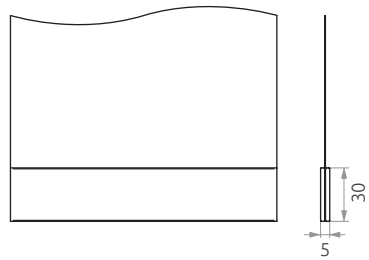
material: aluminium

W5 – wooden bottom bar



material: wood

W6 – flat bottom bar

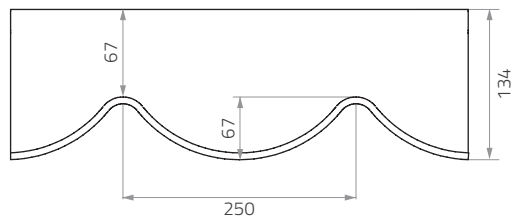
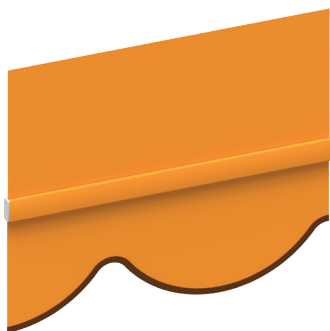


material: aluminium

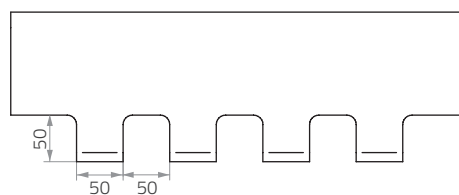
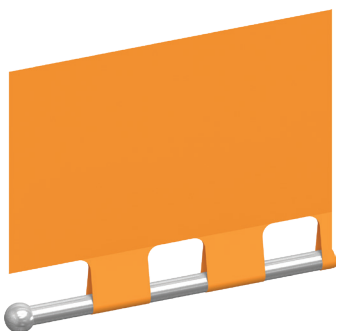
	COLOUR	aluminium round bottom bar	50 mm wooden bottom bar	30 mm aluminium bottom bar
WOOD	white	✓		
	grey	✓		
	anode			✓
	natural		✓	
	modern		✓	
	unique		not available	

# Roller blind system – flounces

## Type A flounce – W1

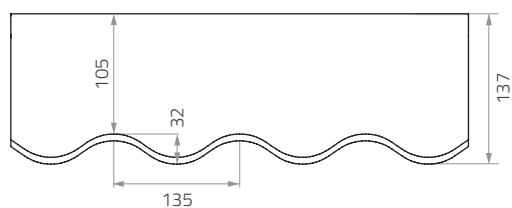
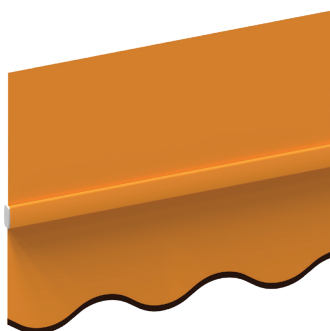


## Type D flounce – W2







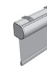






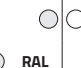




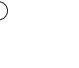















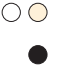


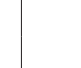

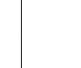























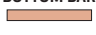
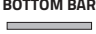






colour of the bar: silver metallic

## Type H flounce - W3





# System specifications

	RM 18 	RM 32 PVC BRACKET 	RM 32 METAL BRACKET 	RM 32 MOUNTING PROFILE 	RM 32 CASSETTE 	RM 40 METAL BRACKET 	RM 40+ METAL BRACKET 	RM 40 MOUNTING PROFILE 	RM 40, RM 40+ CASSETTE 	RM 40, RM 40+ SQUARE COVER 	RM 40, RM 40+ OVAL COVER 			
<b>CONTROL</b>	BALL CHAIN MECHANISM													
	SPRING MECHANISM													
	BATTERY-POWERED DRIVE													
	MOTORISED BLIND													
<b>SIDE GUIDE</b>	GUIDE WIRE													
	SIDE GUIDE													
<b>OPTIONAL FEATURES</b>	EXTENSION BRACKET (no cover)													
	MULTI LINK													
	DUO LINK													
	DOUBLE BRACKET													
	DECORATIVE METAL BRACKET													
<b>FLOUNCES AND WEIGHTS</b>	TYPE A FLOUNCE 													
	TYPE D FLOUNCE 													
	TYPE H FLOUNCE 													
	ALUMINIUM, ROUND BOTTOM BAR 													
	50 MM WOODEN BOTTOM BAR 			NATURAL / MODERN	NATURAL / MODERN	NATURAL / MODERN	NATURAL / MODERN	NATURAL / MODERN	NATURAL / MODERN	NATURAL / MODERN	NATURAL / MODERN	NATURAL / MODERN	NATURAL / MODERN	
30 MM ALUMINIUM BOTTOM BAR 														



# System specifications

	RM 45 METAL BRACKET	RM 45+ METAL BRACKET	RM 45 MOUNTING PROFILE	RM 45, CASSETTE	RM 45, RM 45+ SQUARE COVER	RM 45, RM 45+ OVAL COVER	RM 55	RM 55 CASSETTE	
CONTROL	BALL CHAIN MECHANISM	○ ● ○ ○	○	○ ○ ○	○ ○ ○	○	○		
	SPRING MECHANISM	● ●	●	● ● ○	○	○	○		
	BATTERY-POWERED DRIVE								
	MOTORISED BLIND	○ ○	○	○ ○ ○	○ ○ ○	○	○	○ ○ ○	
SIDE GUIDE	GUIDE WIRE	✓	✓				✓		
	SIDE GUIDE								
OPTIONAL FEATURES	EXTENSION BRACKET (no cover)	○							
	MULTI LINK	○ ● ○ ○	●						
	DUO LINK	○ ● ○ ○	●						
	DOUBLE BRACKET	○ ●	○						
	DECORATIVE METAL BRACKET								
FLOUNCES AND WEIGHTS	TYPE A FLOUNCE	✓	✓	✓	✓	✓	✓*	✓*	
	TYPE D FLOUNCE	✓	✓	✓	✓	✓	✓*	✓*	
	TYPE H FLOUNCE	✓	✓	✓	✓	✓	✓*	✓*	
	ALUMINIUM, ROUND BOTTOM BAR	○ ○ ○	○ ○	○ ○	○ ○	○ ○	○ ○*	○ ○*	○*
	50 MM WOODEN BOTTOM BAR	NATURAL / MODERN**	NATURAL / MODERN**	NATURAL / MODERN**	NATURAL / MODERN**	NATURAL / MODERN**	NATURAL / MODERN**	NATURAL / MODERN**	NATURAL / MODERN**
	30 MM ALUMINIUM BOTTOM BAR		○	○	○	○	○	○ ○*	○*

- - white
- - cream
- - brown
- - grey
- - anthracite
- - black
- - golden oak
- - walnut
- Ⓢ - silver anode

\* max. width 3500 mm

\*\* NATURAL collection – max. width 3000 mm (except selected colours with XL label whose max.width is 3600 mm)  
MODERN collection – max. width 2700 mm





---

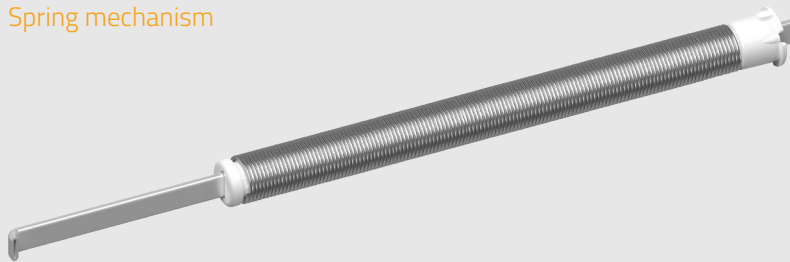
## GEMI roller blind

---

Roller blind accessories	112 - 113
Accessories – colour range	115
GEMI 1 / 2 roller blind	116 - 122

# Roller blind accessories

## Spring mechanism



This high quality, reliable system provides a high level of performance.



## Side guide

Aluminium side guide for mounting the roller blind on the window pane using adhesive side guide base.

Product specification:

Material: aluminium

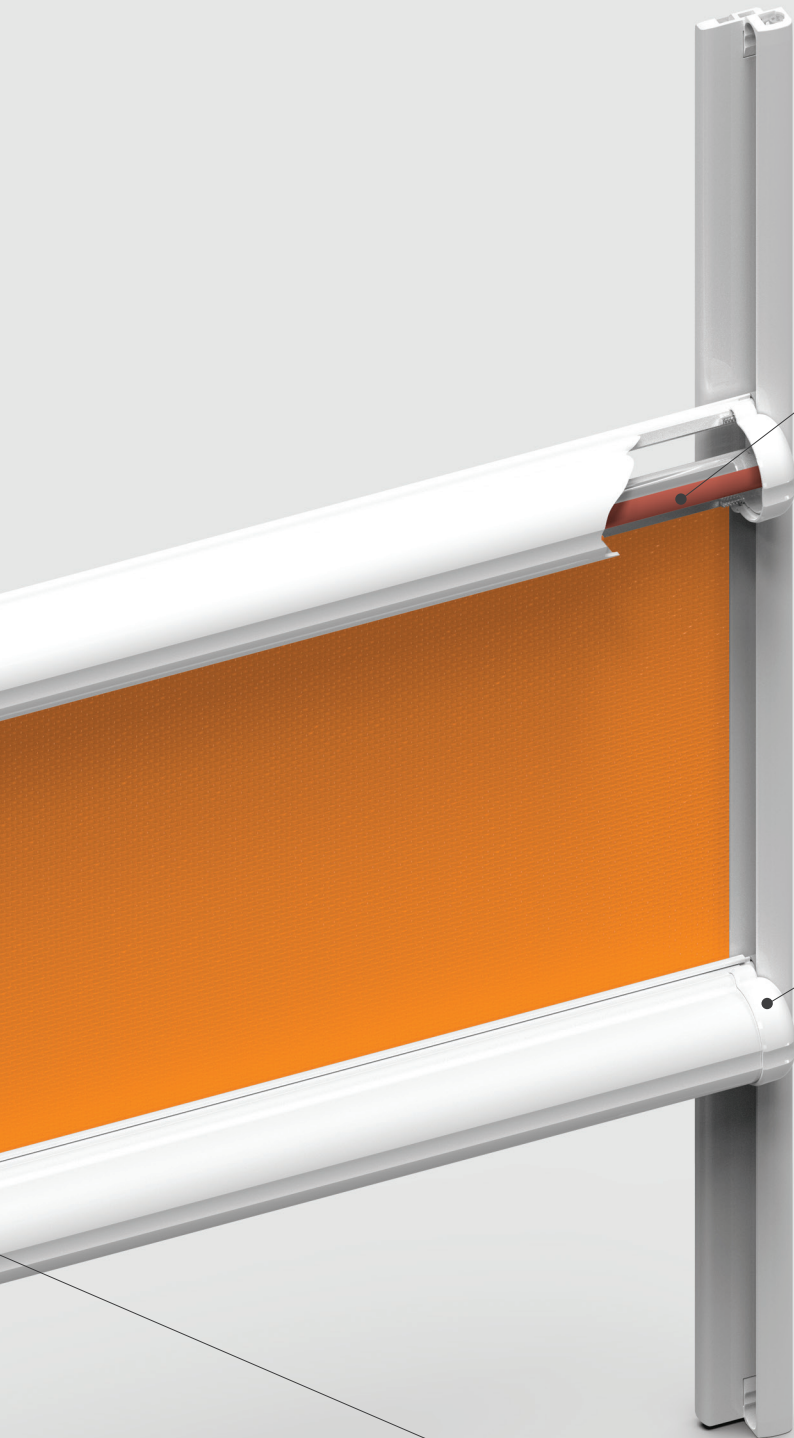


## Side guide end cap

Well matched end cap enhances aesthetic appeal of the side guide.

Product specification

Material: PVC




**Roller tube with adhesive tape**

Sturdy roller tube with adhesive tape for attaching fabric to the tape.

Product specification:

Material: steel



**Cassette end cap**

Fitted with a pair of rollers for comfortable sliding the cassette along side guides.

Product specification:

Material: PVC



**Cassette**

Aluminium cover protects the roll of fabric.

Product specification









Material: aluminium



---

## Accessories – colour range

---

GEMI		
	Colour	RAL symbol
	white	9003
	beige	1013
	creamy white	9001
	brown	8017
	silver anode	-
	basalt grey	7012
	anthracite	7016
	black	9005

GEMI 2 GEMI 1







---

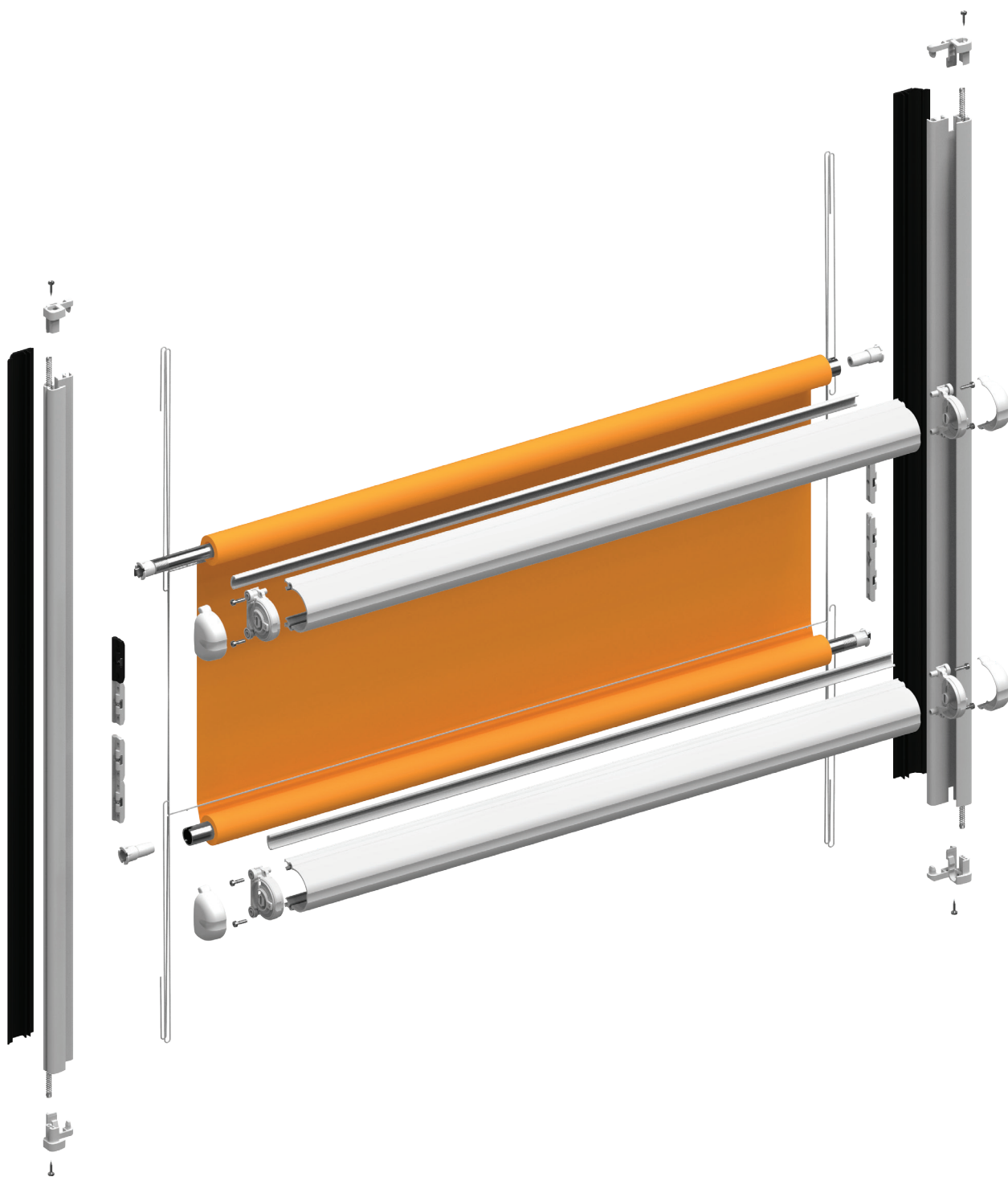
## GEMI 1 / 2

---

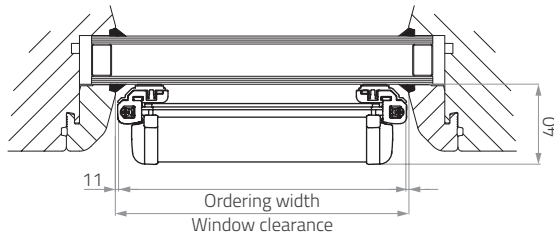
Dimensioning	118 - 120
Fixing components	120
Side guide	121
Control	122

# GEMI 1 / 2 Roller Blinds – Dimensioning

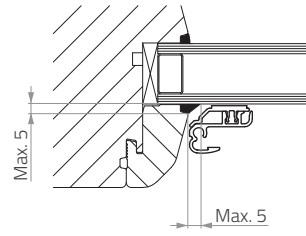
		Width			
GEMI 1		400 - 1200 mm			
	700 - 1400 mm	✓			
GEMI 2		400 - 900 mm	901 - 1000 mm	1001 - 1100 mm	1101 - 1200 mm
	700 - 1500 mm	✓	✓	✓	✓
	1501 - 1600 mm	✓	✓	✓	
	1601 - 1800 mm	✓	✓		
	1801 - 2000 mm	✓			



# GEMI 1 / 2 Roller Blinds – Dimensioning

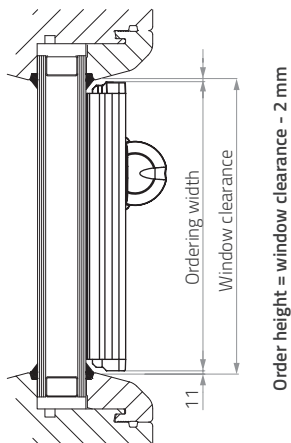


Order width = window clearance - 2 mm

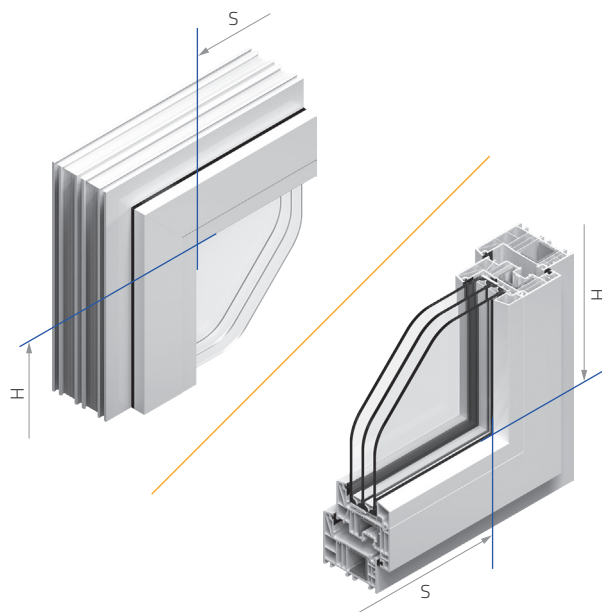
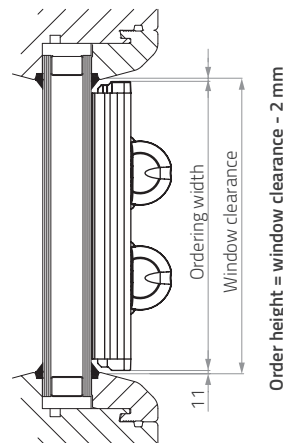


max. sealing gasket size 5 mm

Height measurement: single cassette



Height measurement: double cassette

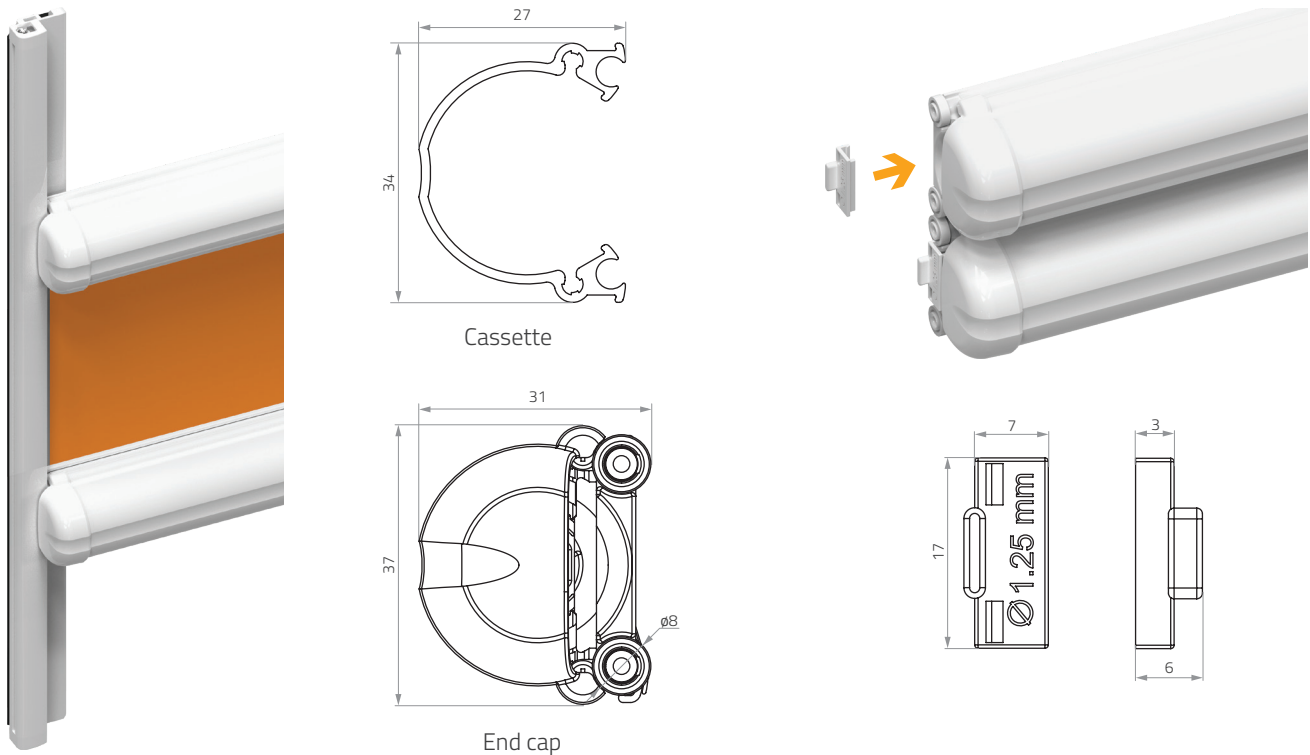


S - Width

H - Height

# GEMI 1 / 2 Roller blind - Dimensions

## Cassette

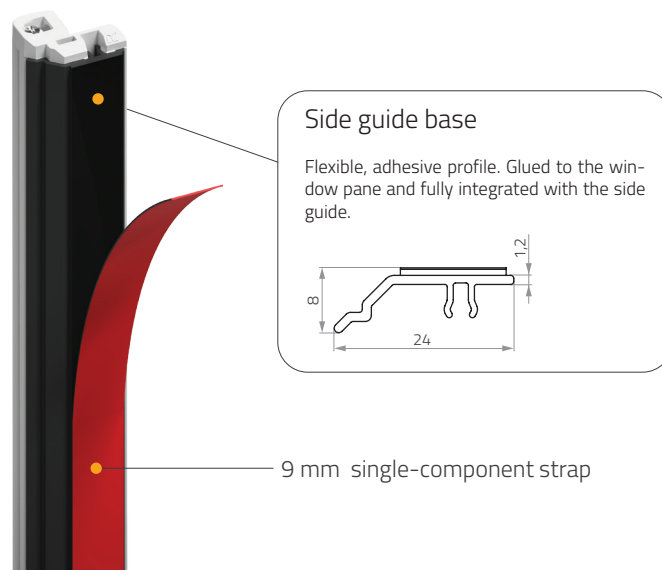


Available colours: white, brown, beige, creamy white, silver anode, basalt grey, anthracite, black

Distance plate for covering looseness between side guides and sliding cassette which may result from measurement or mounting errors. Makes the blind run smoothly and increases its stability.

# GEMI Roller Blinds – Fixing Components

## Side guide adhesive base



# GEMI 1 / 2 Roller Blinds – side guide

## Prowadnica

**GEMI 2**

**GEMI 1**

**22x13 Rail end cap**  
Component made of tough and durable plastic. Available in full colour range offered with the system.

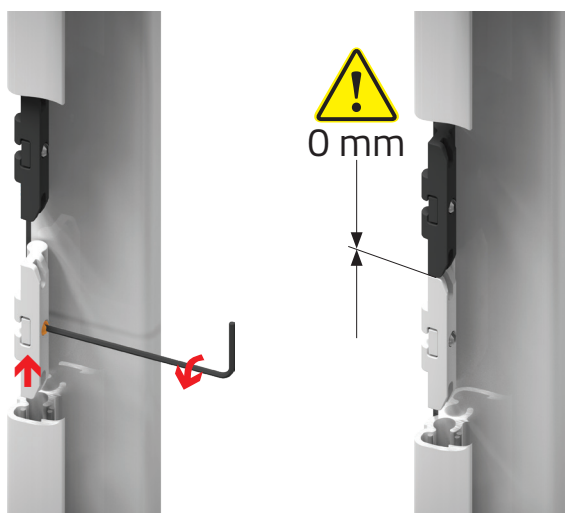
**22x13 End cap**  
Fitted on the top guiding profile with a screw. Available in full colour range offered with the system.

**Spring**  
Made of spring steel. Makes the cassettes run smoothly.

**25x14 Side guide**  
Aluminium side guide, consists of guiding part and self-adhesive base. The special structure is fitted with a wide base, which allows the cassette rolls to run smoothly alongside the side guide.

**Cord tensioner with auxiliary cable**  
For readjustment of cord tension using tensioning component with hex screw.

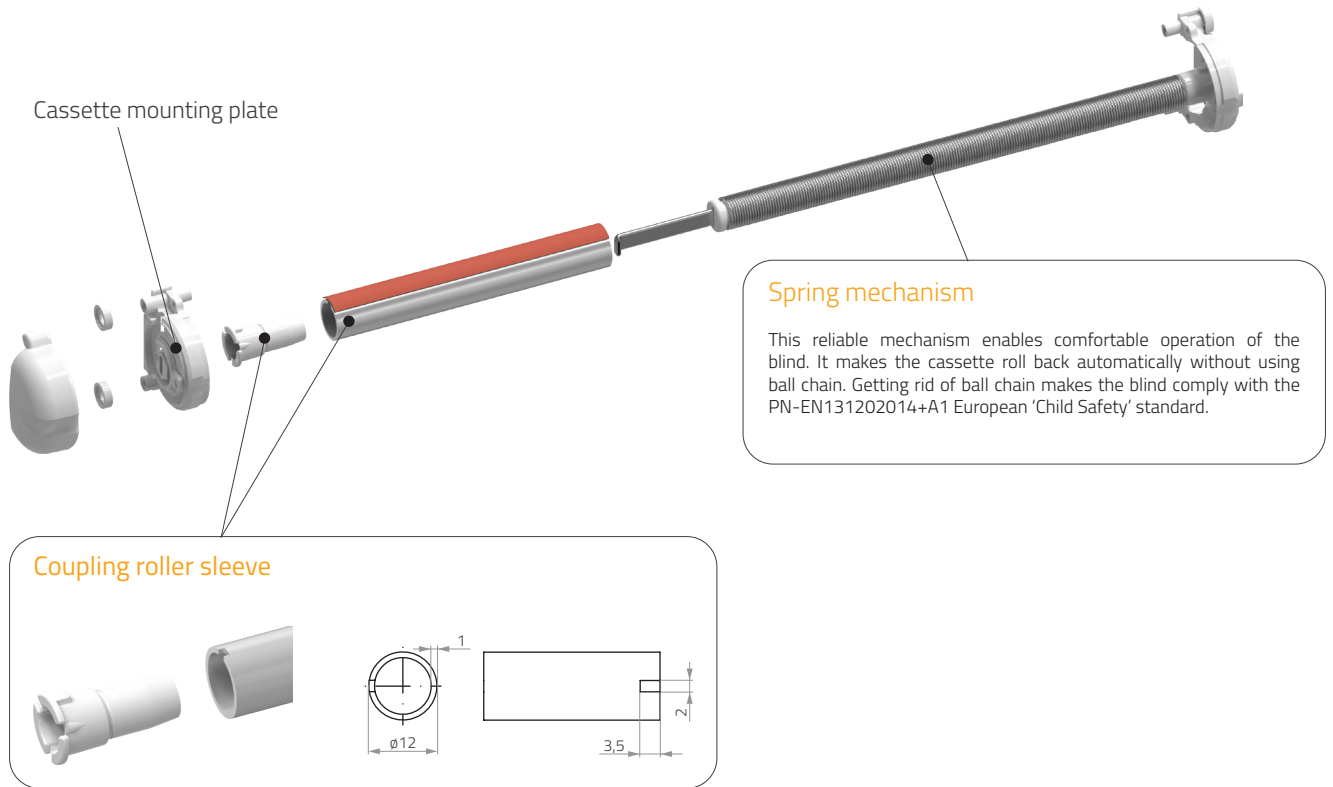
## Cord tensioning method



✓ In order to increase cord tension one should move the white cord tensioner towards black cord tensioner and tighten the hex screw.

# GEMI1 / 2 Roller Blinds – control

## Spring mechanism











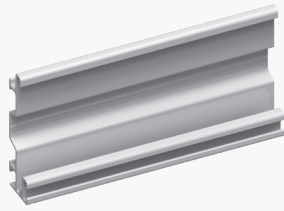
---

## Impresja roller blind

---

Roller blind system components	126 - 127
The colours of accessories	129
RM 18 IMPRESJA	130 - 139
RM 32 IMPRESJA	140 - 149
RM 45 IMPRESJA	150 - 157

# Impresja roller blind System Components

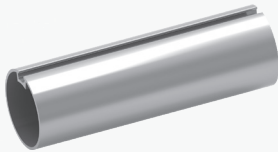


## Mounting Profile (optional)

designed to allow installation in places where standard installation brackets cannot be used.

Product specification

Material: aluminium



## Roller Tube

wear-resistant at high loads, increased torsional strength.

Product specification

Material: aluminium

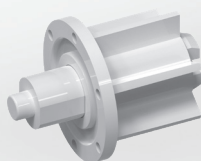


## Bracket and Bracket Cover

brackets made of PVC or zinc plated/powder coated steel. They enable quick and simple installation (top, face or side fix). The brackets are colour-coordinated with the of the operating system.

Product specification

Material:  
bracket cover – PVC



## Plunger End

Enables quick and easy mount as well as disassembly of blinds, also those of above average size.

Product specification

Material: PVC



## Bottom Bar End Cap (oval or round)

Aesthetically pleasing, matching end caps provide the perfect finish to the bottom rail assembly.

Product specification

Material: PVC





### Control End



Patented, universal side control operating unit, featuring fabric locking system (brake).

#### Product specification

Material:  
housing – PVC  
spring lock – stainless steel

### Break-open chain connector, safety cleat

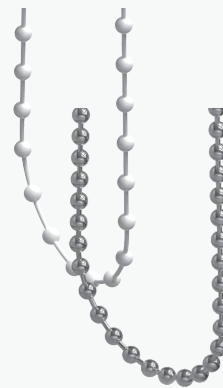


PN-EN 13120 standard has been introduced by the EU in order to reduce the risk which internal blinds and corded window coverings with their accessible cord(s), chain(s), ball chain(s) or similar may pose for young children. The standard requires warnings to be provided in a clear and conspicuous way; the product should also be provided with appropriate safety devices (cord cleats, safety holders, break away devices etc.) Assembly, installation and safety instructions should be included in the package.

#### Product specification

Material: PVC

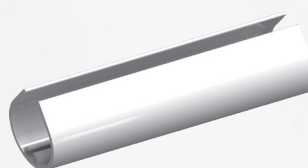
### Ball Chain



PVC or metal (optional).

Chain pitch designed for smooth and silent operation.

### Bottom rail

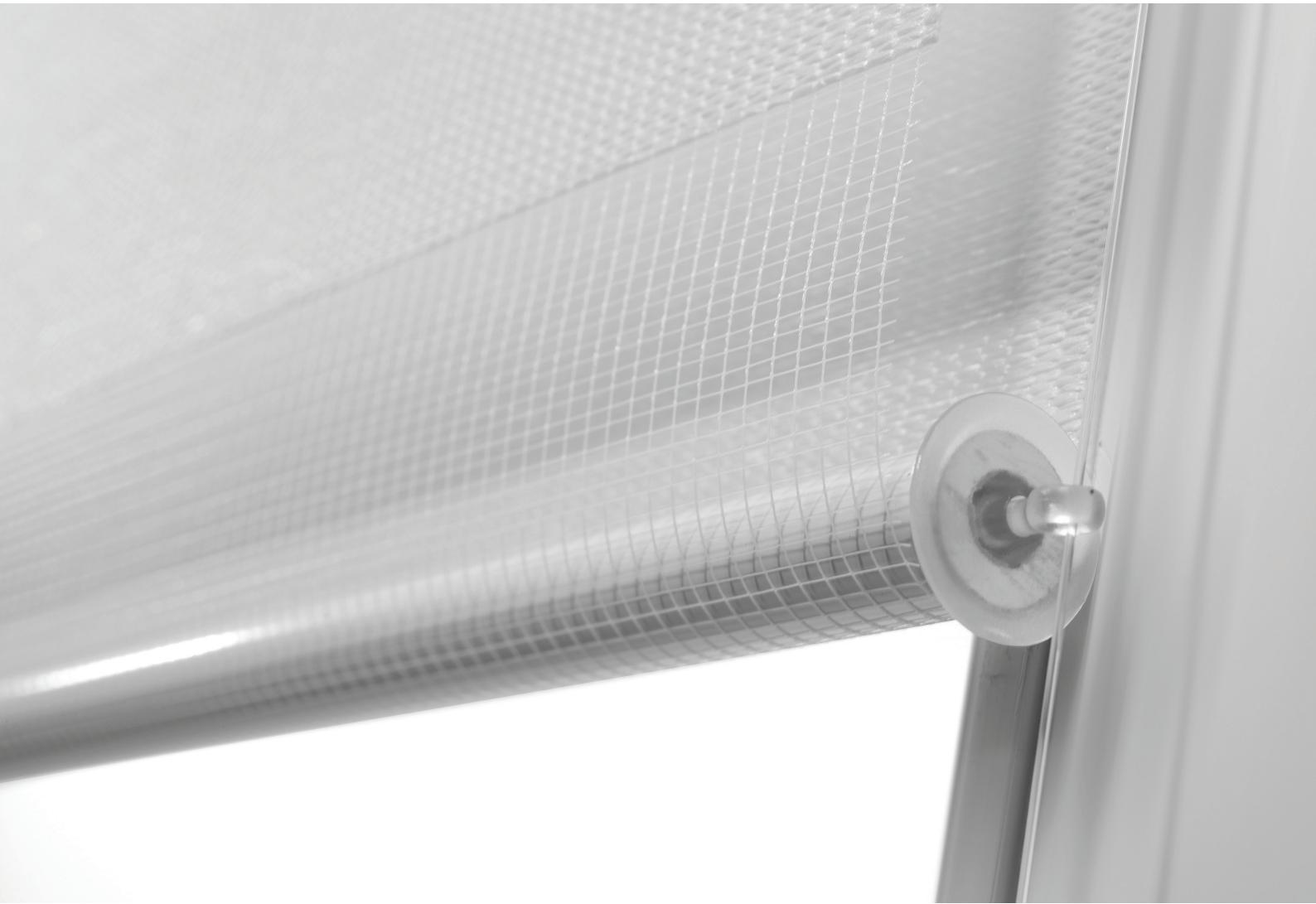


Oval and round rails are made of aluminium. The design allows for concealed and secure location of the selected fabric.


#### Product specification

Material: aluminium

Wall thickness: 1,25 mm (round)



## The colours of accessories

IMPRESJA RM 18		
	colour	RAL symbol
	white	9003
	light brown	8017
	cream	1013
	grey	7040
	anthracite	7016
	black	9005
	walnut (print)	-
	golden oak (print)	-

IMPRESJA RM 32 / IMPRESJA RM 45		
	colour	RAL symbol
	white	9003
	cream	1013
	brown	8019
	grey	7035
	anthracite	7016
	black	9005
	RAL	any**

\* colours available in RM 32 / RM 45 systems depend on the chosen type of roller blind  
 \*\* except pearly, metallic and fluorescent colours

RM 18 IMPRESJA



---

## RM 18 IMPRESJA

---

Dimensions	132 - 133
Fixing Brackets	134 - 135
Control	136
Guide wire system	138 - 139

# Impresja RM 18 roller blind – dimensions

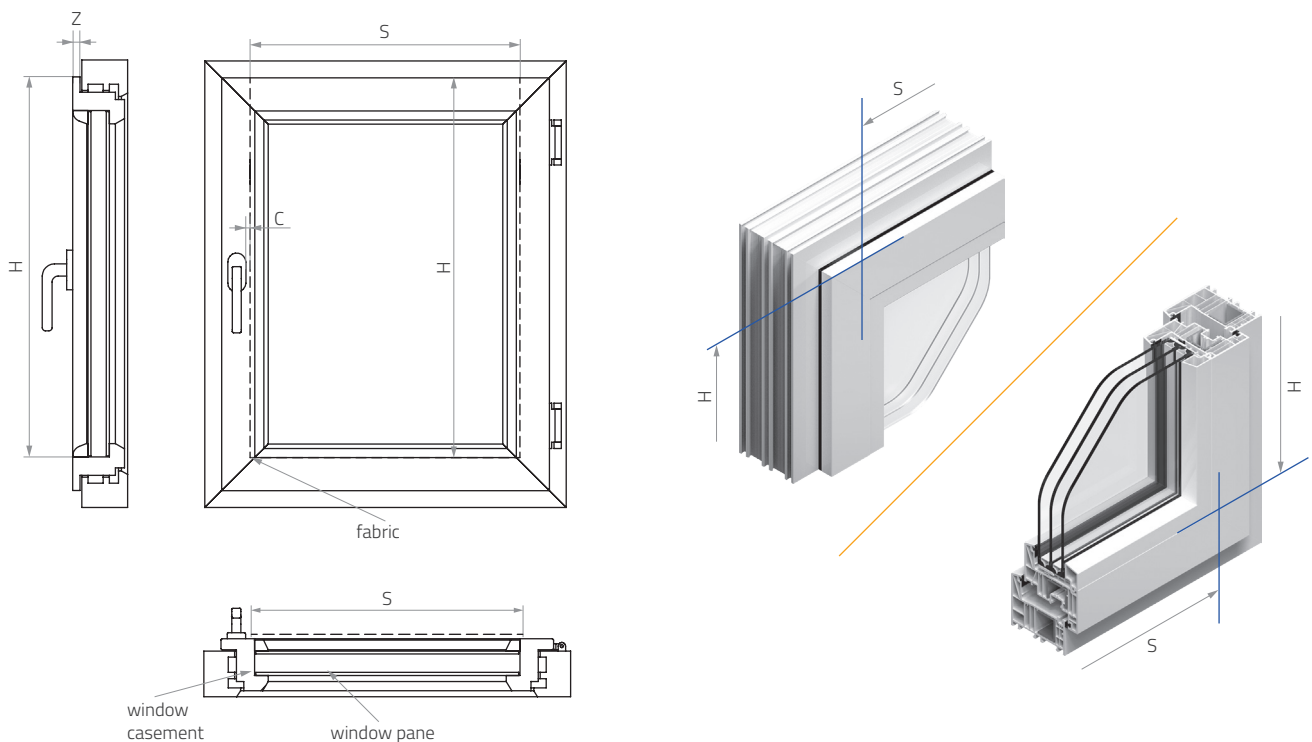
		height					
		300 - 1000 mm	1001 - 1100 mm	1101 - 1200 mm	1201 - 1300 mm	1301 - 1400 mm	1401 - 1500 mm
width	300 - 1300 mm	✓	✓	✓	✓	✓	✓
	1301 - 1500 mm	✓	✓	✓	✓	✓	
	1501 - 1700 mm	✓	✓	✓	✓		
	1701 - 1900 mm	✓	✓	✓			
	1901 - 2100 mm	✓	✓				
	2101 - 2300 mm	✓					





# Impresja RM 18 roller blind – dimensions

## Mounting without screws



**S (width)** - width of fabric.



**H (height)** - the distance between the upper edge of the window casement and the point of junction between the glazing bead and window casement at the bottom (horizontal orientation).

**C** - the distance between fabric edge and window handle (should be no less than 10 mm).

**Z** - the range of installation possibilities of top and bottom brackets.

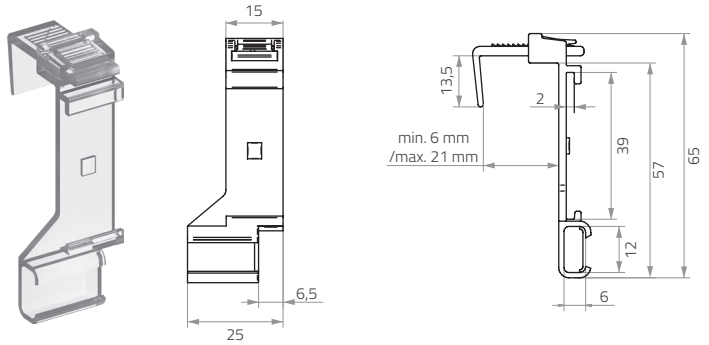
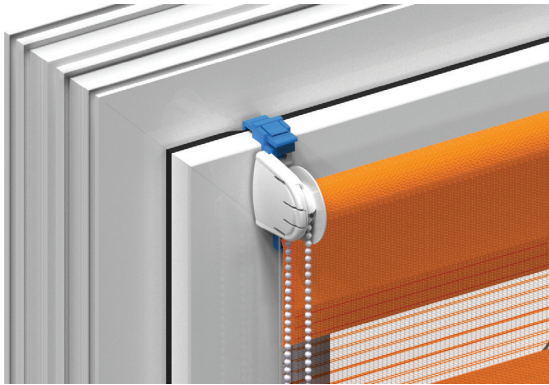
**Overall width** is 31 mm wider than fabric width.

# Impresja RM 18 roller blind – fixing components

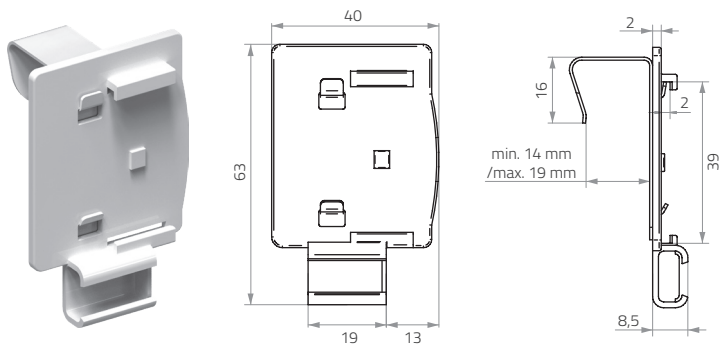


Blue colour of brackets is for reference only.

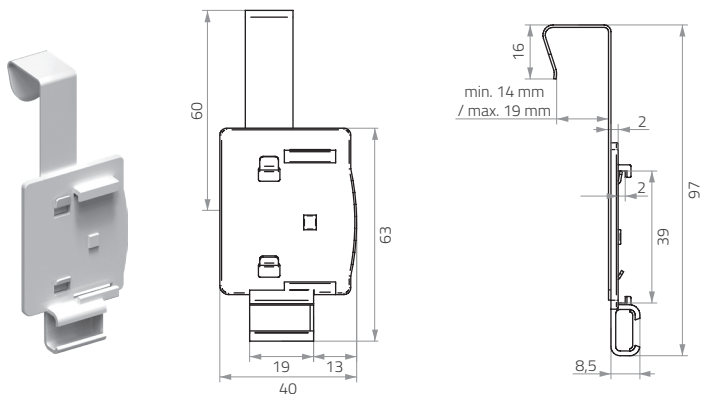
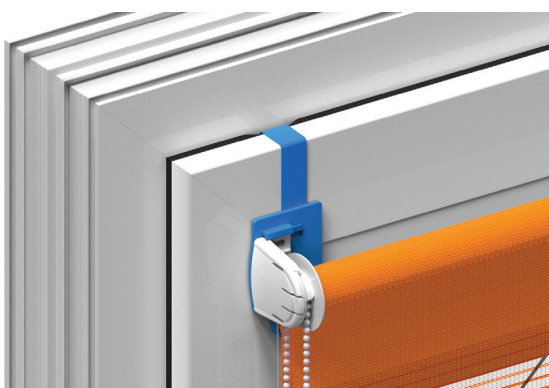
## Non-invasive bracket A



## Non-invasive bracket B

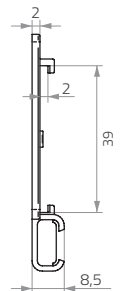
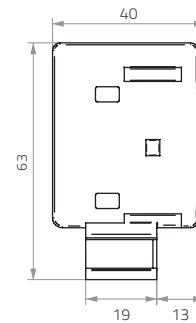
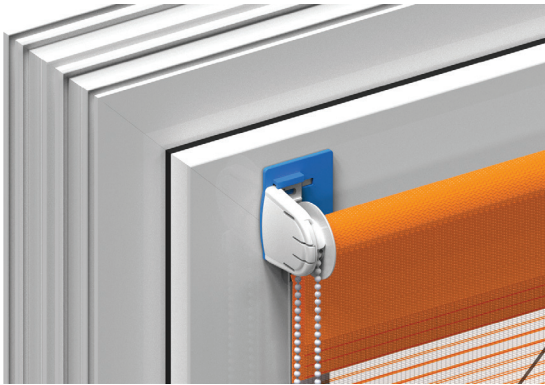


## Non-invasive bracket C



# Impresja RM 18 roller blind – fixing components

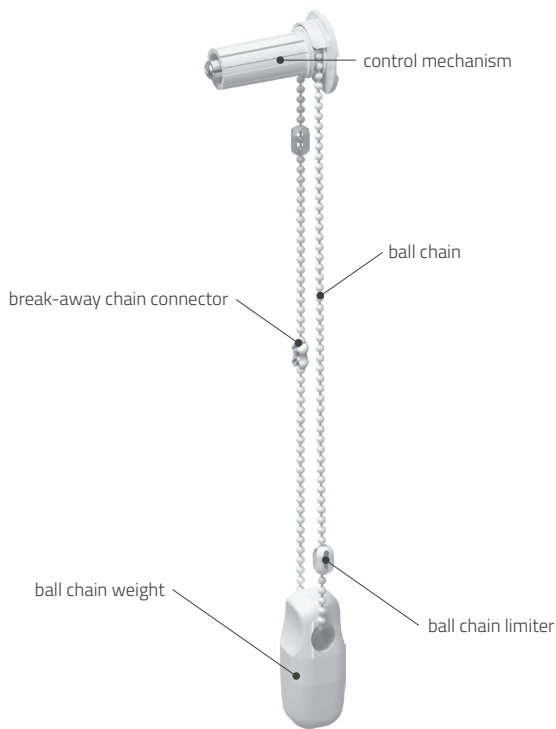
## Non-invasive bracket D (fixed with glue)



	top bracket A	top bracket B	top bracket C	top bracket D
colour of mechanism	white	transparent	white	white
	light brown		light brown	light brown
	cream		cream	cream
	grey		grey	grey
	anthracite		anthracite	black
	black		black	black
	walnut (print)		light brown	light brown
	golden oak (print)		RAL 8003	RAL 8003

# RM 18 roller blind – operation

## Ball chain mechanism



RM 18 roller blind features two solutions:  
 - ball chain system with break-away connector  
 - loop

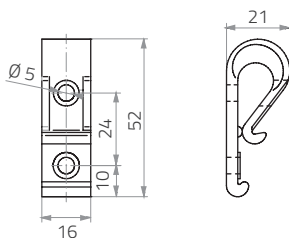
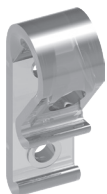
The system is selected during manufacturing process and depends on the height of the blind.

Available lengths of loop: 250, 500, 750, 1000, 1250, 1500, 1750, 2000 mm.



## Safety cleat

used in metal ball chain

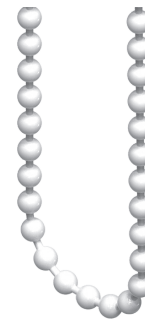


ball diameter: 3,2 mm

Metal ball chain is fitted with a safety cleat (safety feature, fully compliant with PN-EN 13120:2014+A1 safety standard).

## Types of ball chain

### PVC ball chain



ball diameter: 3,2 mm

PVC ball chain is fitted with a break away chain connector (safety feature, fully compliant with PN-EN 13120:2014+A1 safety standard).

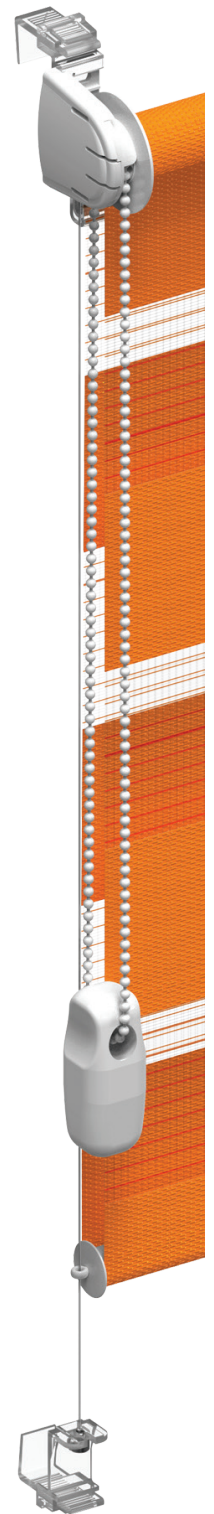
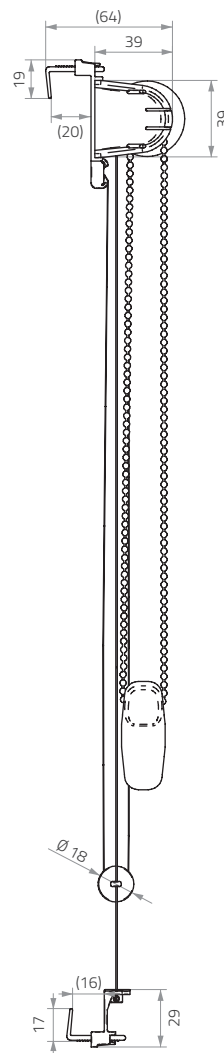
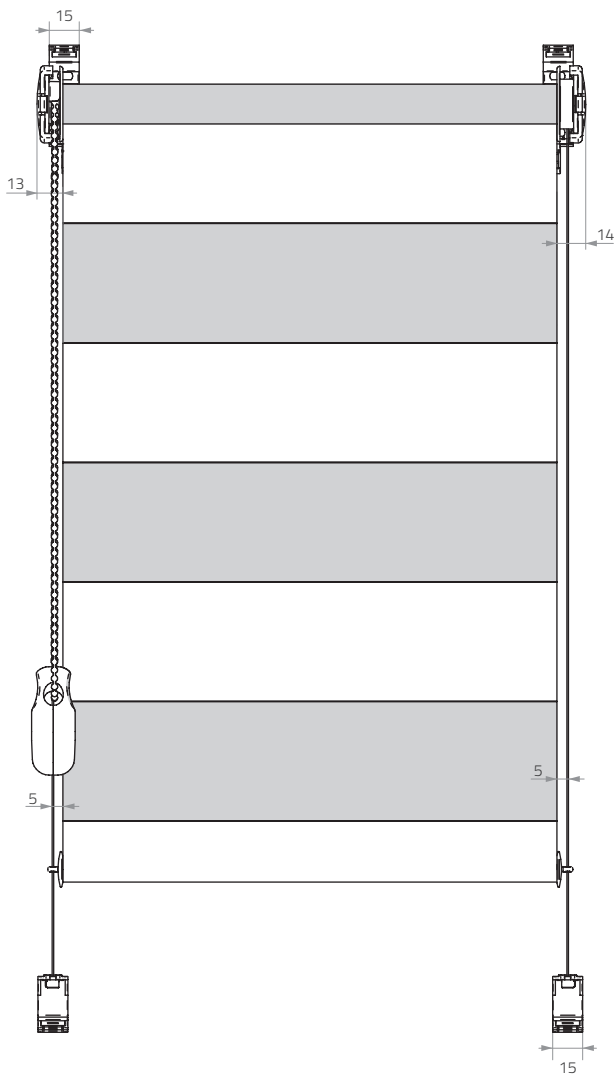
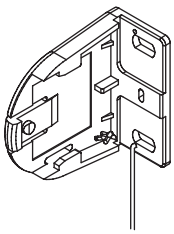
### metal ball chain (option)





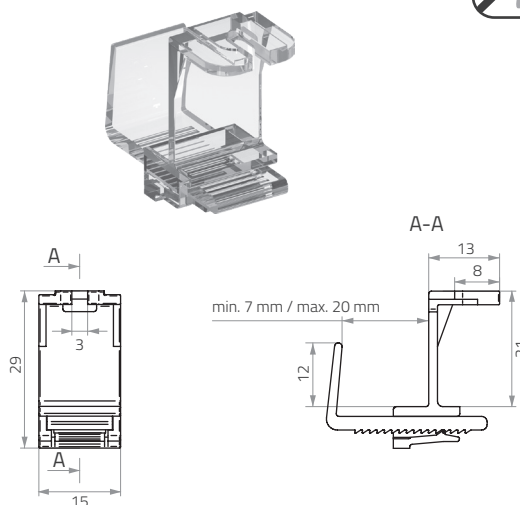
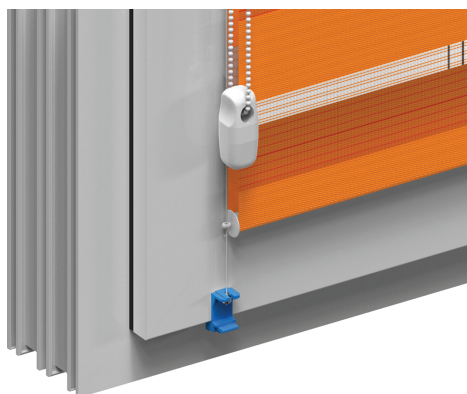
# Impresja RM 18 – guide wire system

## Mounting the guide wire system

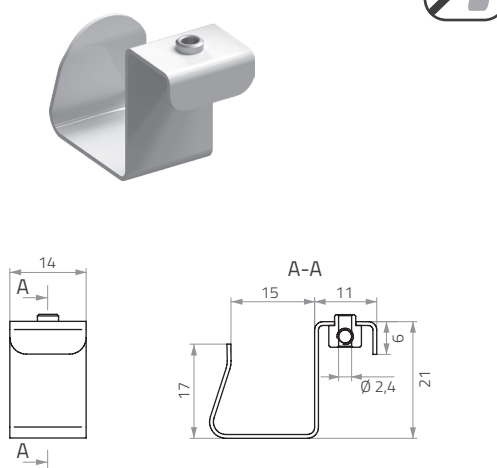
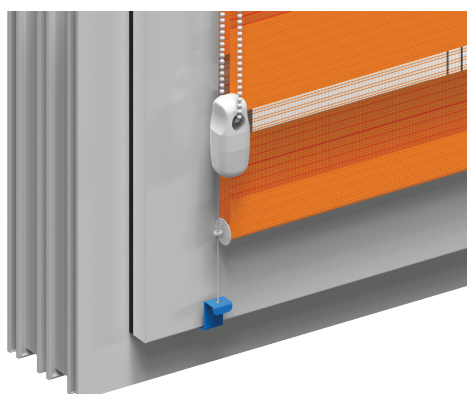


# Impresja RM 18 – guide wire system

## Bottom bracket A (PVC)



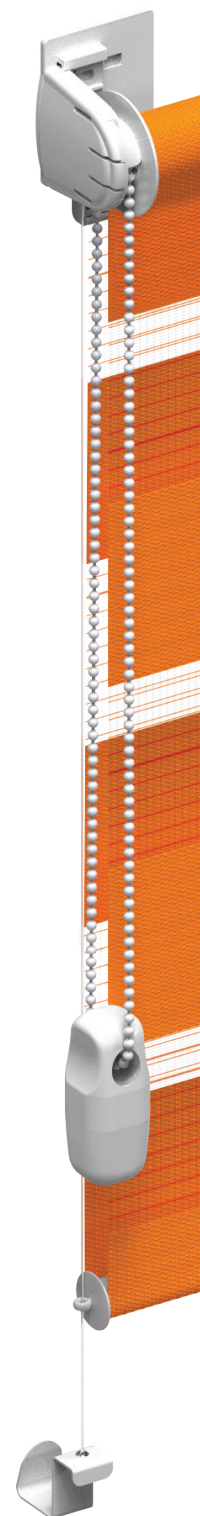
## Bottom bracket B (metal)



	bottom bracket A	bottom bracket B
colour of mechanism	white	white
	light brown	light brown
	cream	cream
	grey	grey
	anthracite	black
	black	black
	walnut (print)	light brown
	golden oak (print)	RAL 8003
	transparent	



Blue colour of brackets is for reference only.



RM 32 IMPRESJA





---

## RM 32 IMPRESJA

---

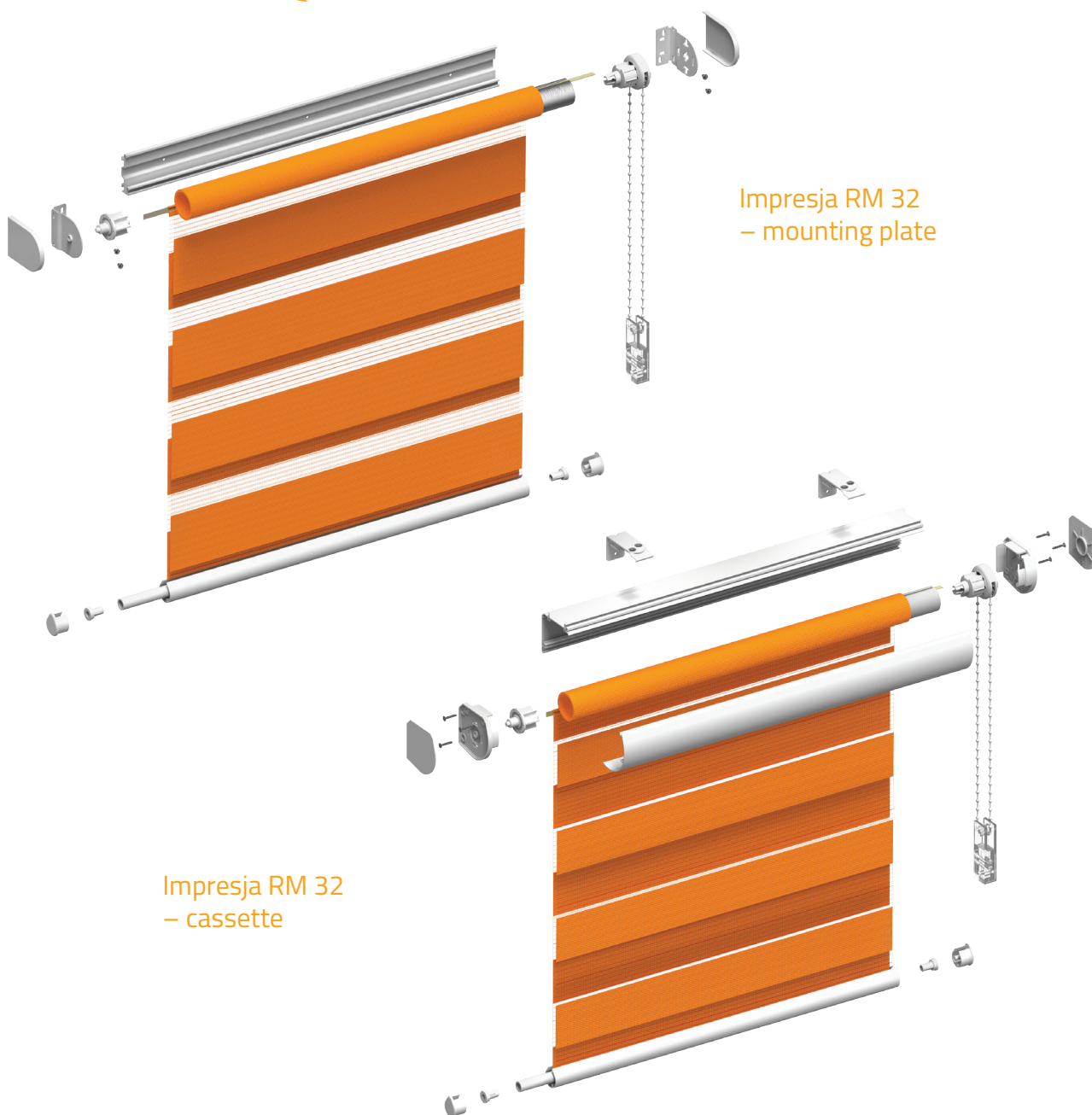
Dimensions	142 - 143
Fixing components (closed cassette)	144
Fixing components (mounting plate)	145 - 146
Control	147
Motors and control	148 - 149

# Impresja RM 32 – dimensions

IMPRESJA ROLLER BLIND IMPRESJA RM 32	Price group	min. width	max. width	max. height	max. surface area
manual control	1	300 mm	2300 mm	2500 mm*	5,75 m <sup>2</sup>
	2, 3, 4		2600 mm		6,5 m <sup>2</sup>
motorised (24V)	1	600 mm	2100 mm	2200 mm*	4,62 m <sup>2</sup>
	2, 3, 4				
motorised (230 V)	1	600 mm	2300 mm	2300 mm*	5,29 m <sup>2</sup>
	2, 3, 4				

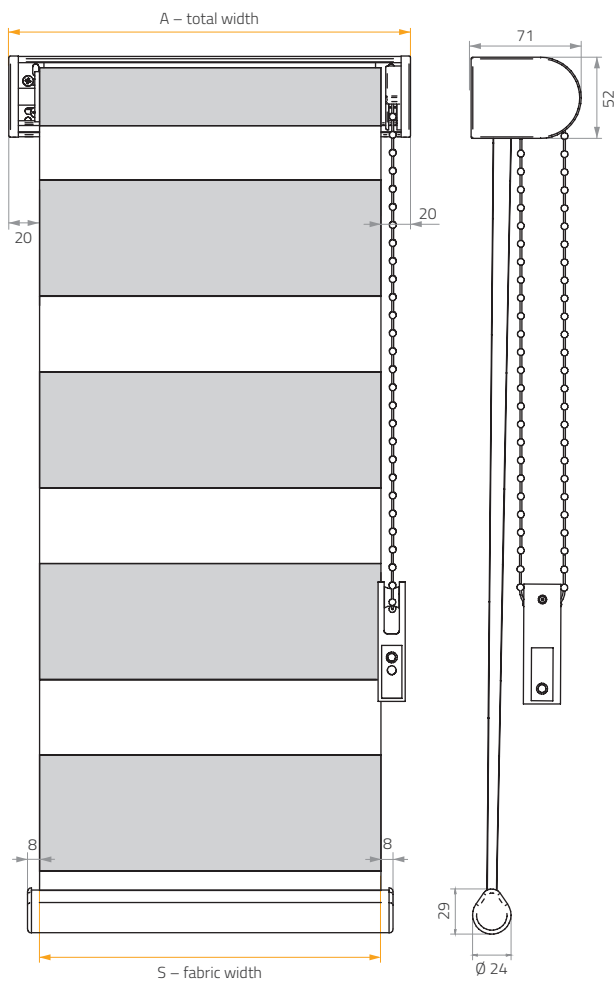


\* Max. height of the blind depends on the thickness of the fabric used.

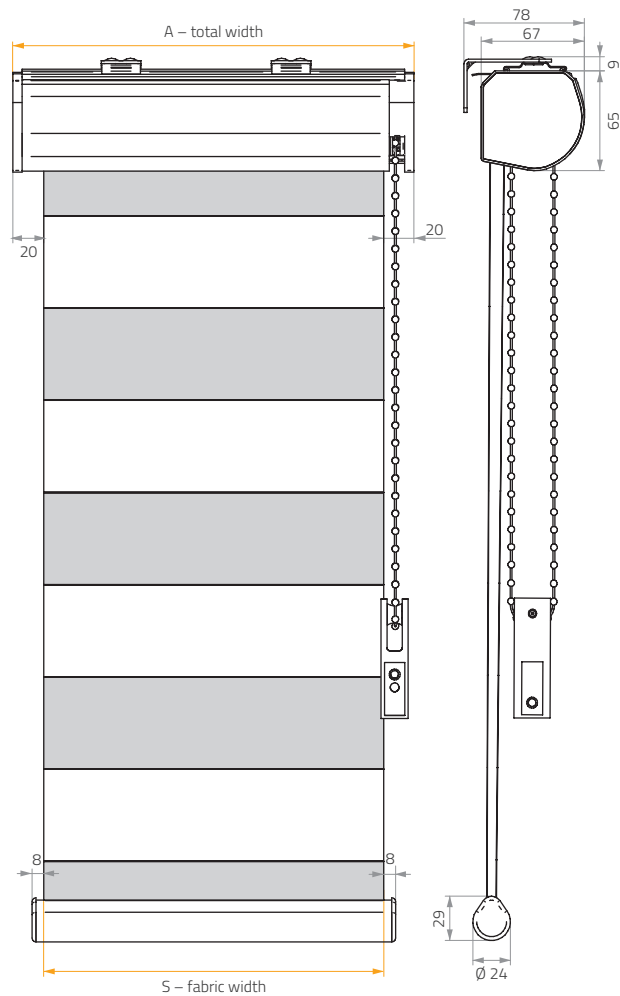


# Impresja RM 32 – dimensions

## Impresja RM 32 – mounting plate



## Impresja 32 - cassette



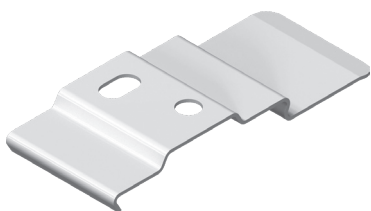
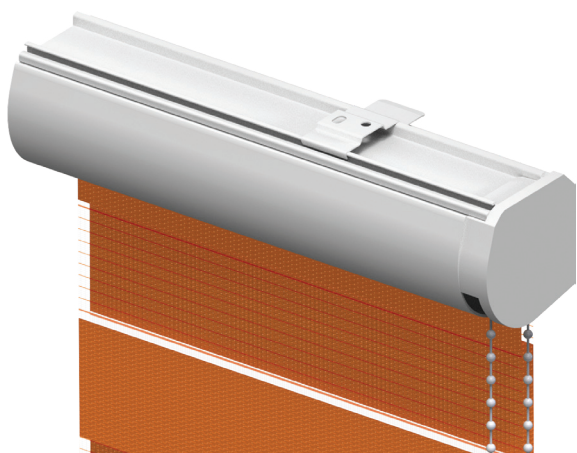
Depending on measurements taken, the client provides one width dimension only (A or S).

## The difference between overall width and fabric width

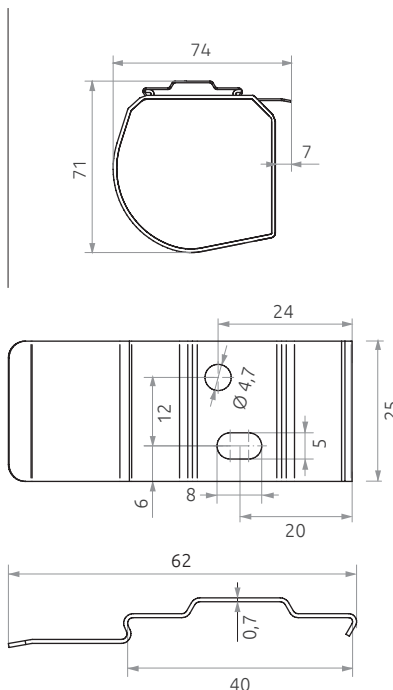
	Impresja RM 32 – mounting plate	Impresja RM 32 – cassette
<b>TOTAL</b>	<b>40 mm</b>	<b>40 mm</b>

# Impresja RM 32 roller blind – fixing components

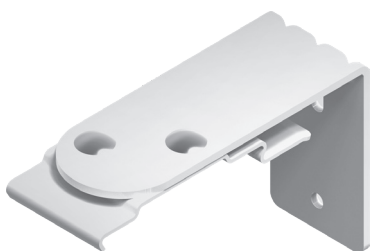
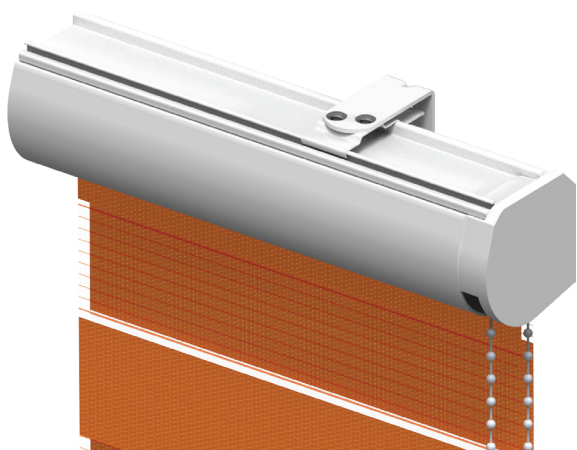
## Clip bracket (top mount)



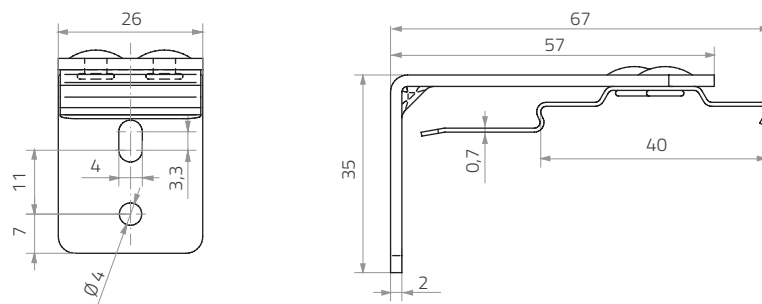
Closed cassette



## Impresja RM 32 - cassette



Closed cassette



available colours of cassettes: white, cream, brown, silver anode, grey, anthracite, black, any RAL

# Impresja RM 32 roller blind – fixing components

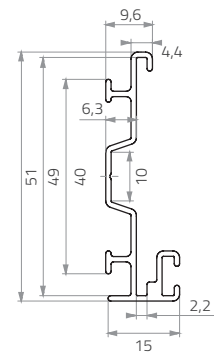
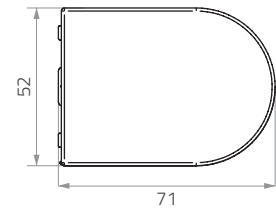
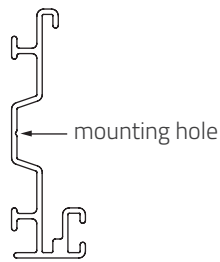
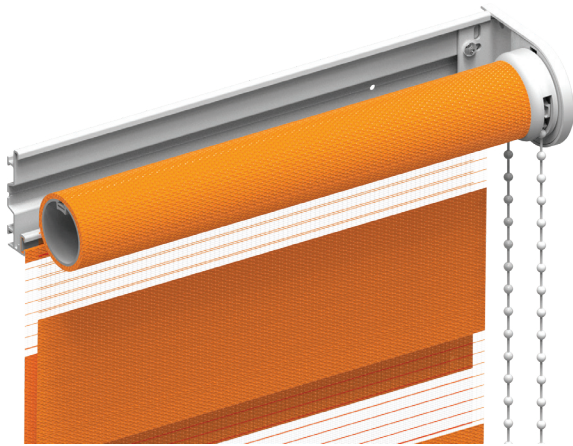
## Impresja RM 32 – mounting plate



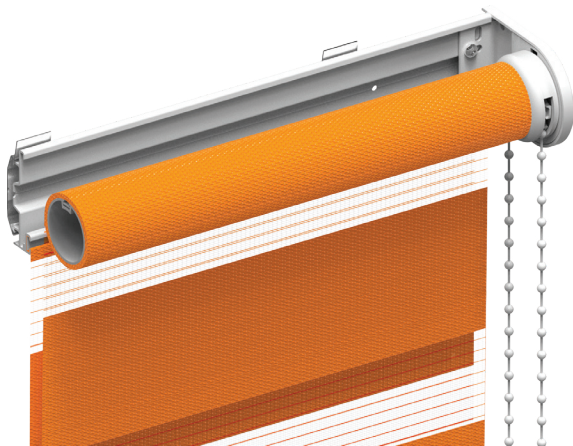
Impresja RM 32 with mounting plate **cannot be top-mounted**.

Two ways of mounting the roller blind on the mounting plate:

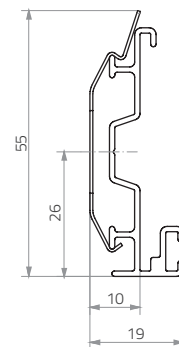
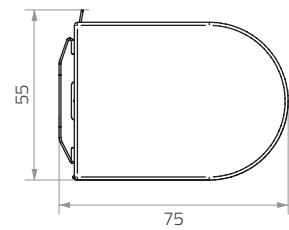
screw-fixed profile:



clip-fixed profile



clip



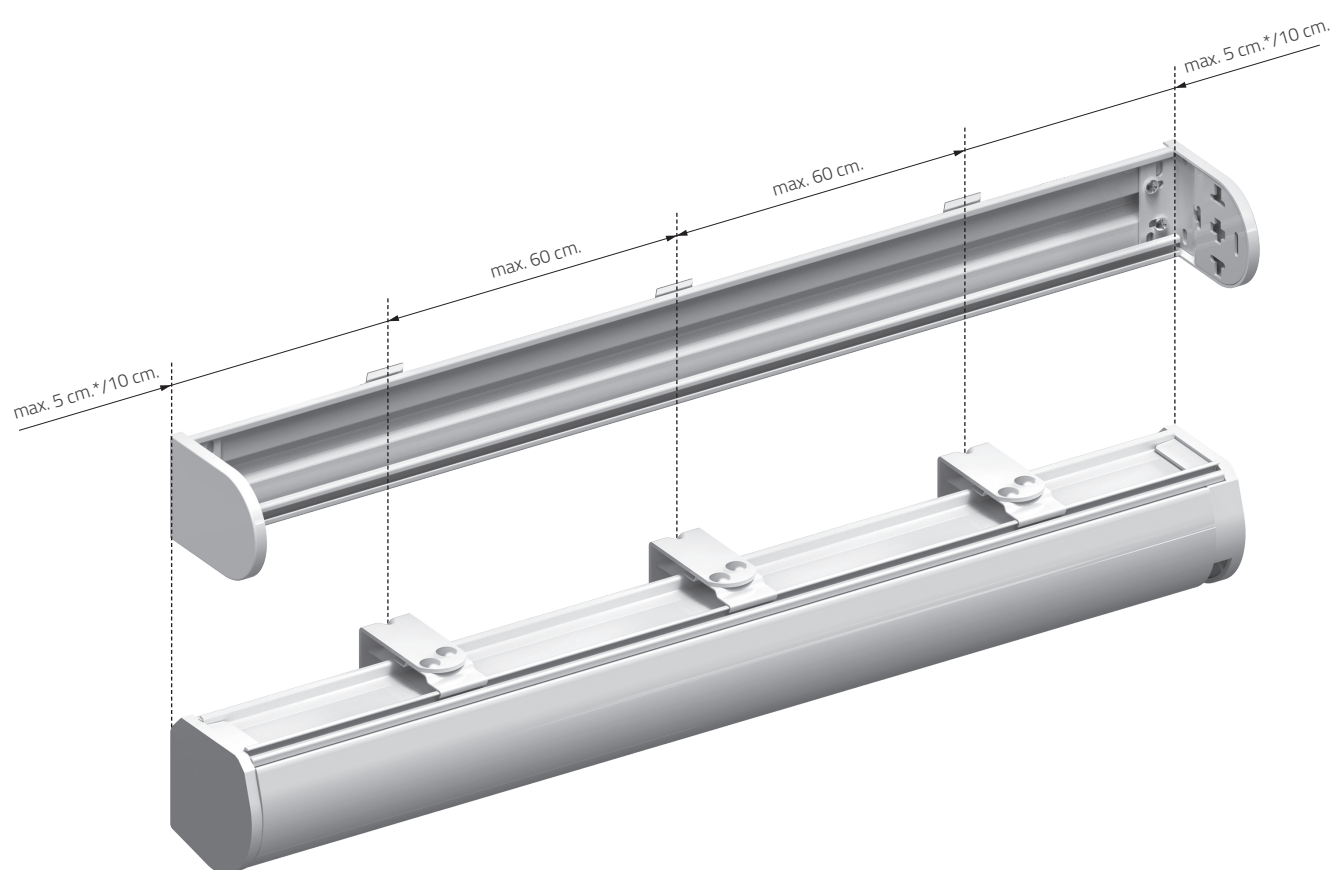
available colours of mounting profiles: white, cream, brown, silver anode, grey, anthracite, black, any RAL

# Impresja RM 32 roller blind – fixing brackets

Number of mounting plate/cassette brackets  
/ fixing points in blinds of different width



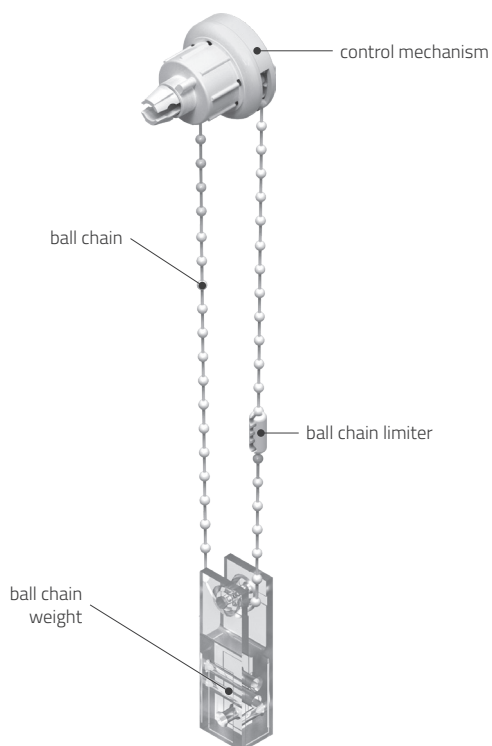
≤ 1000 mm	1001 - 1500 mm	1501 - 2000 mm	2001 - 2500 mm	2501 - 2600 mm
2	3	4	5	6



\*Concerns fixing on the side of control mechanism only.

# Impresja RM 32 – operation

## Ball chain mechanism



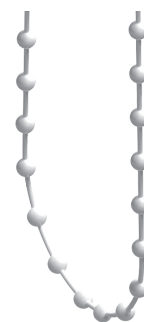
RM 32 roller blind features two solutions:  
 - ball chain system with break-away connector  
 - loop

The system is selected during manufacturing process and depends on the height of the blind.

Available lengths of loop: 250, 500, 750, 1000, 1250, 1500, 1750, 2000, 2250, 2500, 2750, 3000 mm.

## Types of ball chain

### PVC ball chain



ball diameter: 4,5 mm



PVC ball chain is fitted with a break away chain connector (safety feature, fully compliant with PN-EN 13120:2014+A1 safety standard).

### metal ball chain (optional feature)

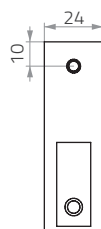
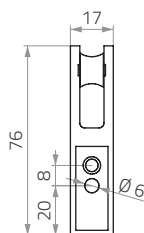


ball diameter: 4,5 mm



Metal ball chain is fitted with a safety cleat (safety feature, fully compliant with PN-EN 13120:2014+A1 safety standard).

## Safety cleat



### Ball chain weight / safety cleat

When used with a break-away chain connector, safety cleat functions as ball chain weight (no need to fasten it to wood joinery/wall).

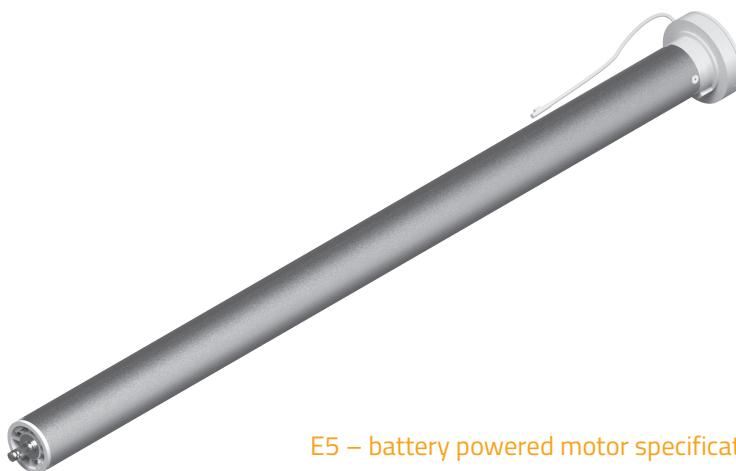
Coupled with looped ball chain and fastened to wood joinery /wall, the component functions as safety cleat.

# RM 32 Impresja – motors and control

E5 – battery-operated, radio-controlled motor

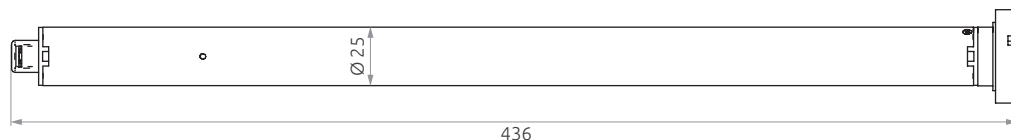


Motor parameters	
torque	1,1 Nm
RPM	40 obr./min.
motor diameter	25 mm
voltage	DC 12 V
power	1,13 W
amperage	1,13 A
IP class	IP 44
inbuilt receiver	✓
radio frequency	433 MHz



## E5 – battery powered motor specification

- end positions set electronically with a remote control
- inbuilt receiver
- compatible with ONE series dedicated remote control
- dedicated for 35 mm roller tube
- min. width of the roller blind – 530 mm
- battery-powered (Li-Ion battery built into the housing)
- easy mount – no need for power supply cable
- operating time is extended as a result of low power consumption



## E5 battery-powered motor charger



Length of cable: 3 mb

## ONE series remote controls

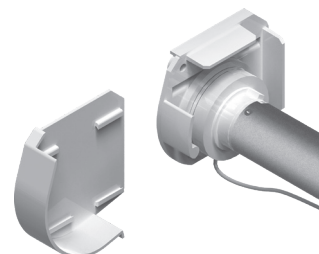


ONE X1  
5-channel

ONE X2  
15-channel

ONE X4  
30-channel

Retractable side cover protection enables charging the motor without opening the cassette (concerns RM 32 closed cassette system **only**). The drive is mounted **on the left side of the roller blind only**.



colours available: white, cream, brown, grey, anthracite, black, any RAL



# RM 32 Impresja – motors and control

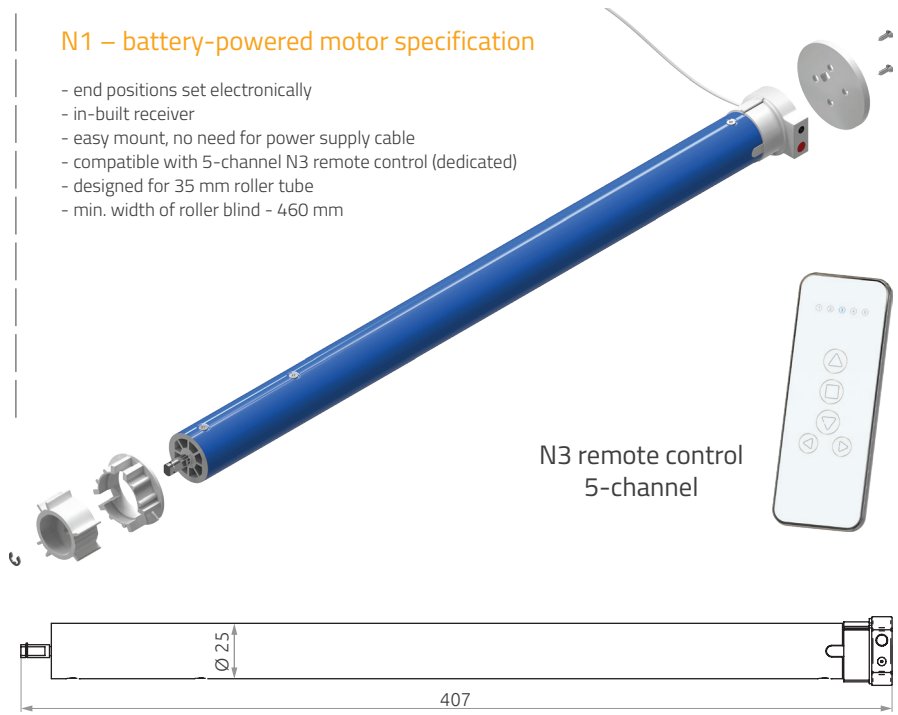
## N1 – battery-operated, radio-controlled motor



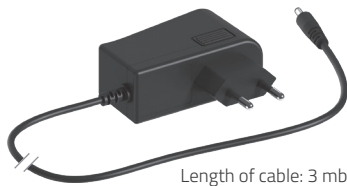
Motor parameters	
torque	1,1 Nm
RPM	25 rpm
motor diameter	25 mm
voltage	DC 7 V
power	2 W
amperage	8 A
IP class	IP 40
inbuilt receiver	✓
radio frequency	433 MHz

### N1 – battery-powered motor specification

- end positions set electronically
- in-built receiver
- easy mount, no need for power supply cable
- compatible with 5-channel N3 remote control (dedicated)
- designed for 35 mm roller tube
- min. width of roller blind - 460 mm



### N1 Motor charger



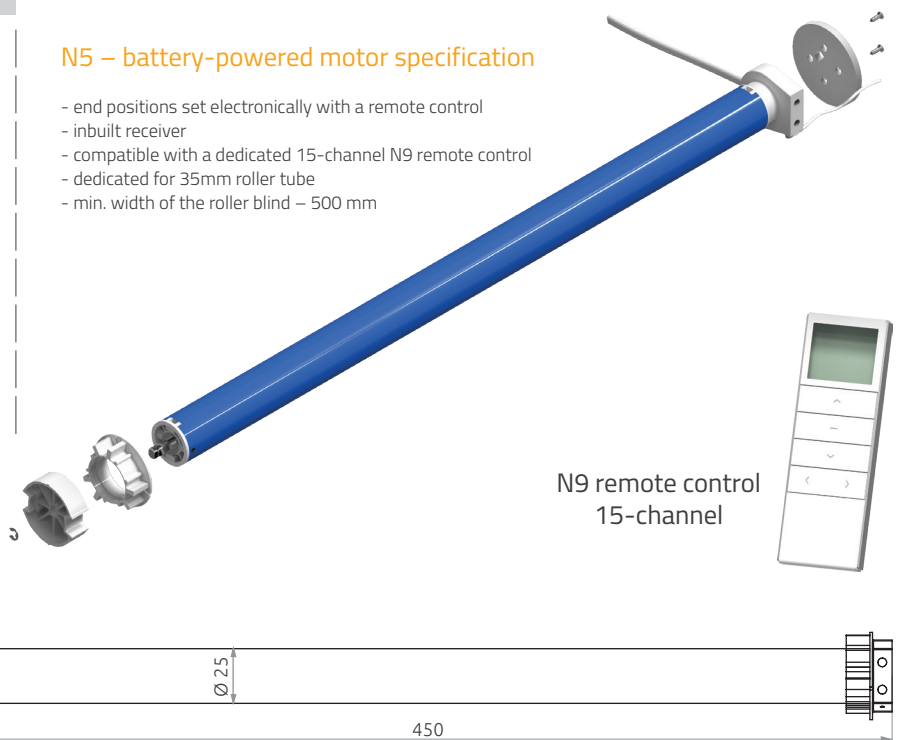
## Radio-ctrloled electric drive – N5



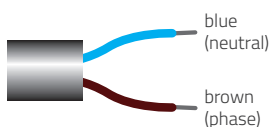
Motor parameters	
torque	1,5 Nm
RPM	32 rpm
motor diameter	25 mm
voltage	230 V
power	13,9 W
amperage	0,13 A
IP class	IP 44
inbuilt receiver	✓
radio frequency	433 MHz

### N5 – battery-powered motor specification

- end positions set electronically with a remote control
- inbuilt receiver
- compatible with a dedicated 15-channel N9 remote control
- dedicated for 35mm roller tube
- min. width of the roller blind – 500 mm



### Connection scheme



length of cable: 2 m

RM 45 IMPRESJA



---

## RM 45 IMPRESJA

---

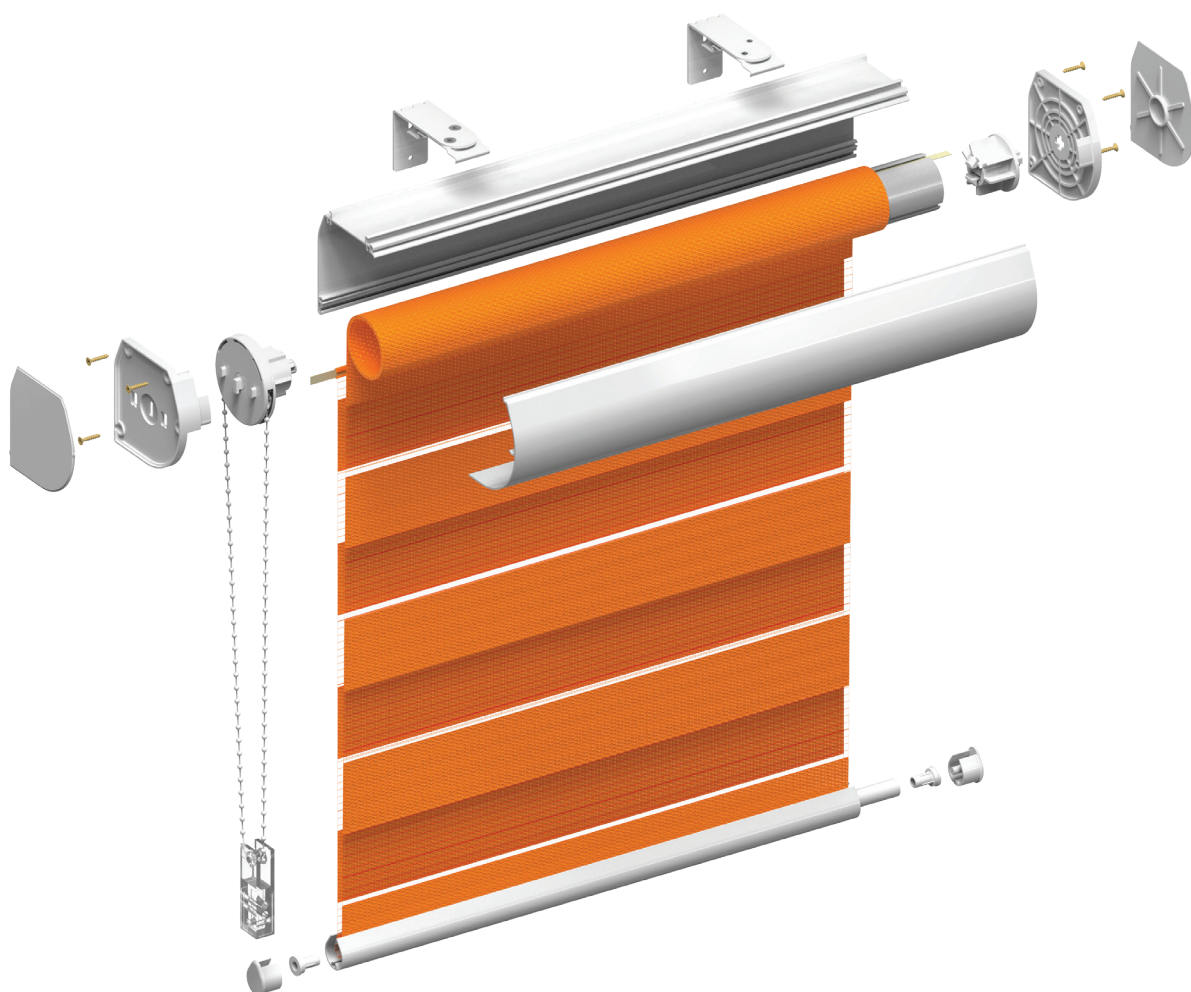
Dimensions	152 - 153
Fixing components	154 - 155
Control	156
Motors and control	157

## Impresja RM 45 – dimensions

IMPRESJA RM 45	price group	min. width	max. width	max. height	max. surface area
manual operation	1	300 mm	2300 mm	3000 mm*	6,9 m <sup>2</sup>
	2, 3, 4		2600 mm		7,8 m <sup>2</sup>
motorised control 24V (Somfy)	1	600 mm	2600 mm	3000 mm*	7,8 m <sup>2</sup>
	2, 3, 4				
motorised control 24V (LL)	1	600 mm	See range*	See range*	See range*
	2, 3, 4				
motorised control 230V (Somfy, Elero)	1	600 mm	2600 mm	3000 mm*	7,8 m <sup>2</sup>
	2, 3, 4				
motorised control 230V (LL)	1	600 mm	See range*	See range*	See range*
	2, 3, 4				



\* Max. height of the blind depends on the thickness of the fabric used.



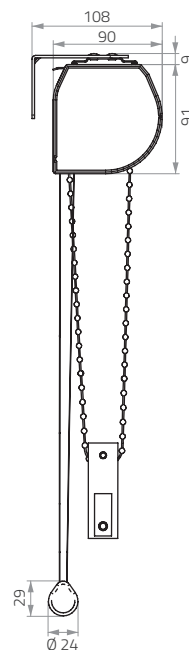
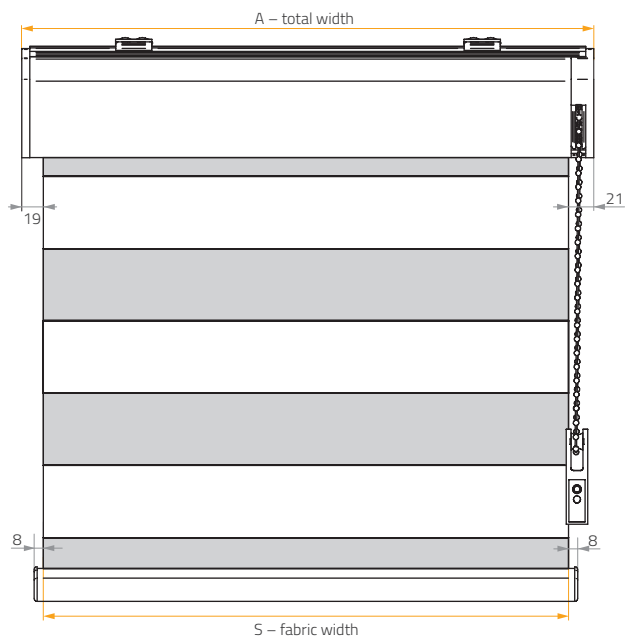
# Impresja RM 45 – dimensions

## motorised control 24V (LL) – range

	width					
	600 - 1800 mm	1801 - 2000 mm	2001 - 2100 mm	2101 - 2200 mm	2201 - 2300 mm	2301 - 2500 mm
height 300 - 2100 mm	✓	✓	✓	✓	✓	✓
2101 - 2300 mm	✓	✓	✓	✓	✓	
2301 - 2500 mm	✓	✓	✓	✓		
2501 - 2700 mm	✓	✓	✓			
2701 - 2900 mm	✓	✓				
2901 - 3000 mm	✓					

## motorised control 230V (LL) – range

	width	
	600 - 1800 mm	1801 - 2400 mm
height 300 - 2900 mm	✓	✓
2901 - 3000 mm	✓	



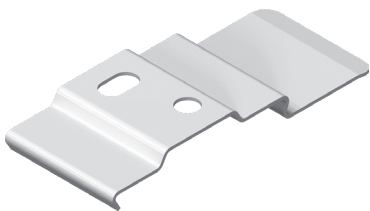
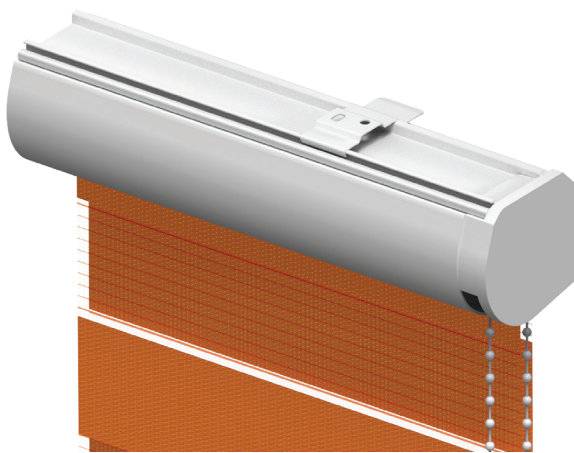
Depending on measurements taken, the client provides one width dimension only (A or S).

## The difference between overall width and fabric width

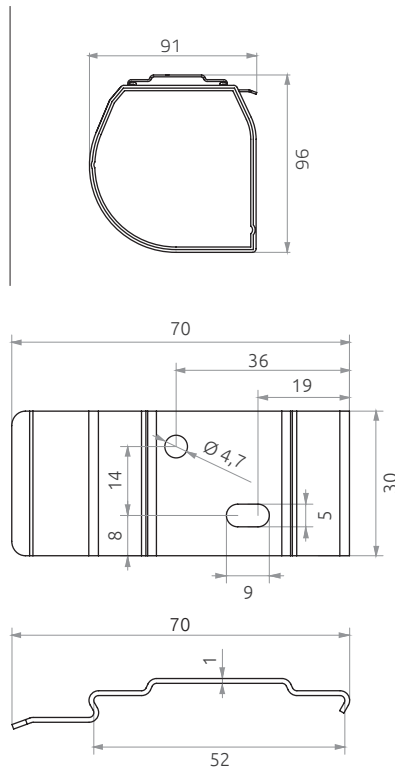
	Impresja RM 45 – cassette
<b>TOTAL</b>	<b>40 mm</b>

# Impresja RM 45 – fixing components

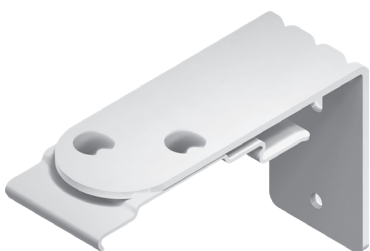
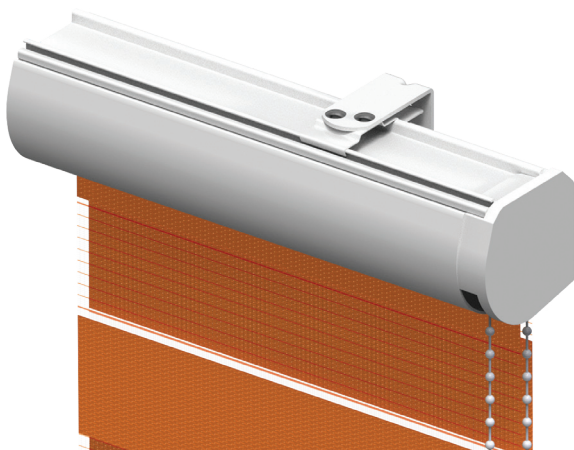
## Clip bracket – top mount



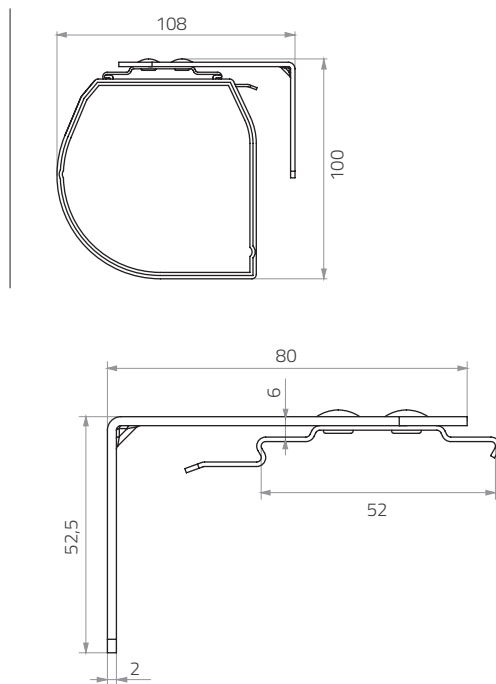
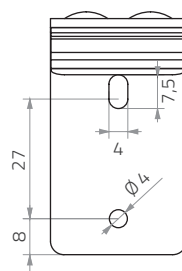
Closed cassette



## Cassette bracket – wall mount



Closed cassette



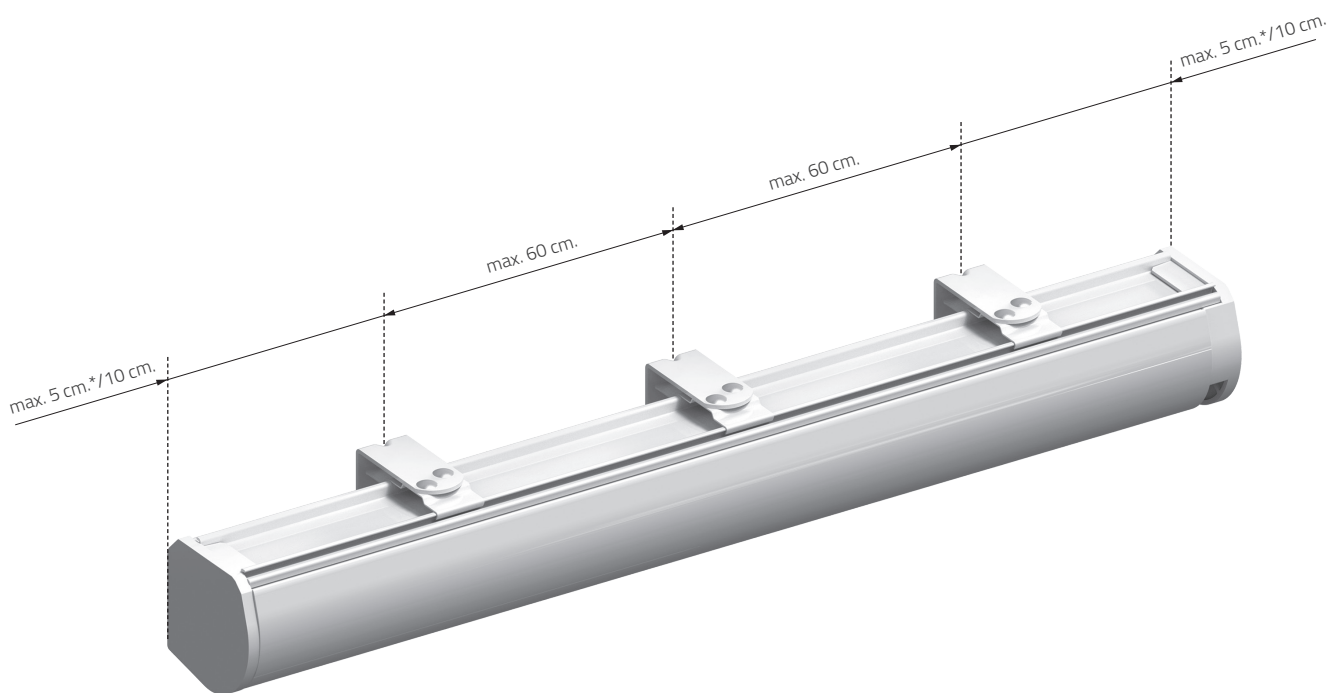
available colours of cassettes: white, silver anode, grey, anthracite, black, any RAL

# Impresja RM 45 – fixing components

## Number of brackets in blinds of different width



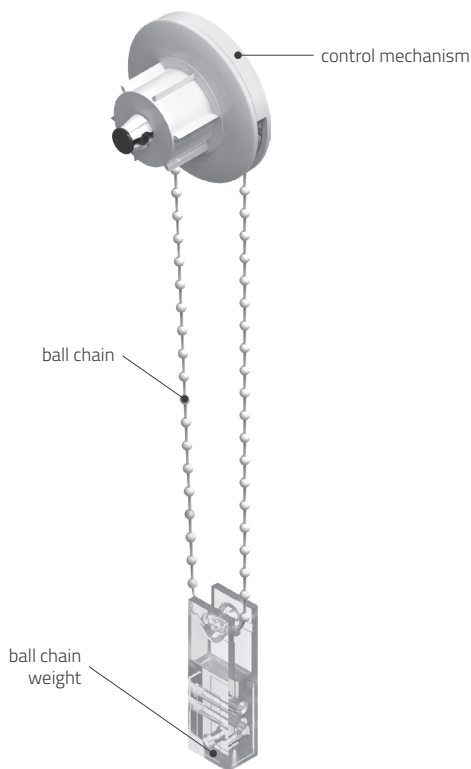
≤ 1000 mm	1001 - 1500 mm	1501 - 2000 mm	2001 - 2200 mm
2	3	4	5



\*Concerns fixing on the side of control mechanism only.

# Impresja RM 45 roller blind – operation

## Ball chain mechanism



RM 45 roller blind features two solutions:  
 - ball chain system with break-away connector  
 - loop

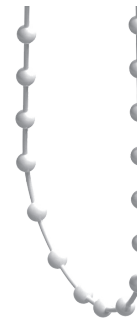


The system is selected during manufacturing process and depends on the height of the blind.

Available lengths of loop: 250, 500, 750, 1000, 1250, 1500, 1750, 2000, 2250, 2500, 2750, 3000 mm.

## Types of ball chain

### PVC ball chain



ball diameter: 4,5 mm



PVC ball chain is fitted with a break away chain connector (safety feature, fully compliant with PN-EN 13120:2014+A1 safety standard).

### metal ball chain (option)

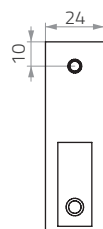
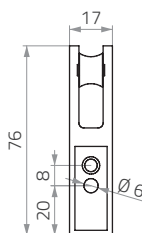


ball diameter: 4,5 mm



Metal ball chain is fitted with a safety cleat (safety feature, fully compliant with PN-EN 13120:2014+A1 safety standard).

## Safety cleat



### Ball chain weight / safety cleat

When used with a break-away chain connector, safety cleat functions as ball chain weight (no need to fasten it to wood joinery/wall).

Coupled with looped ball chain and fastened to wood joinery /wall, the component functions as safety cleat.

colours available: white, silver anode, grey, black, any RAL



# Impresja RM 45 – control

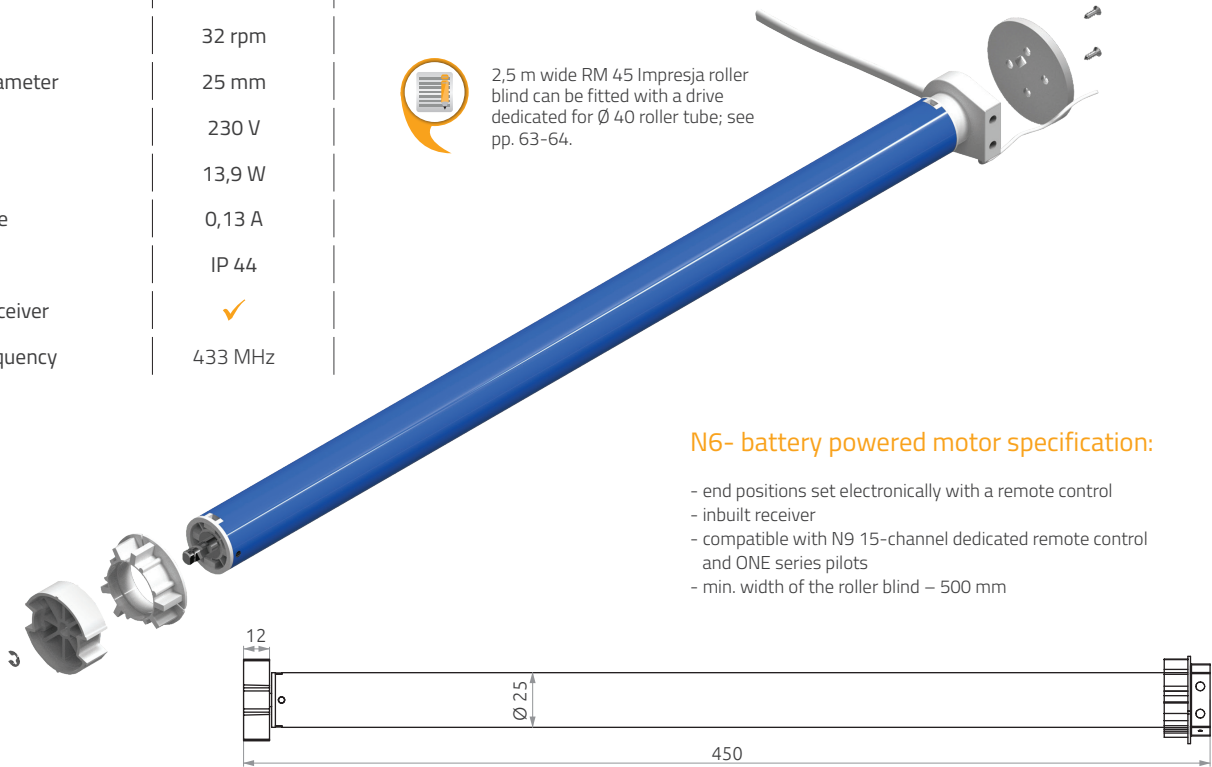
## N6 Radio-controlled electric motor



Motor parameters	
torque	1,5 Nm
RPM	32 rpm
motor diameter	25 mm
voltage	230 V
power	13,9 W
amperage	0,13 A
IP class	IP 44
inbuilt receiver	✓
radio frequency	433 MHz



2,5 m wide RM 45 Impresja roller blind can be fitted with a drive dedicated for Ø 40 roller tube; see pp. 63-64.



### N6- battery powered motor specification:

- end positions set electronically with a remote control
- inbuilt receiver
- compatible with N9 15-channel dedicated remote control and ONE series pilots
- min. width of the roller blind – 500 mm

### ONE series remote controls



ONE X1  
5-channel



ONE X2  
15-channel

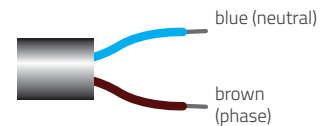


ONE X4  
30-channel



N9  
15-channel

### Connection scheme



length of cable: 2 m

## ELECTRIC MOTORS – 24 V

somy.	Drive	ELECTRIC MOTORS – 24 V															
		Nominal torque (Nm)	RPM	Nominal voltage (V)	Frequency (Hz)	Amperage (A)	Energy consumption (W)	IP protection class	Insulation class	Number of cores	Cable length (m)	Total length (mm)	Length (mm)	Weight (kg)	Operation time (thermal protection) (min.)	Noise level (dB)	Operating temperature (°C)
	Sonesse 30 DCT 2/28	2	28	24	DC	max 3,2	-	IP 30	III	2	-	406	398	0,49	2,5	< 44	0 to +60
	Sonesse 30 DC RTS 2/28	2	28	24	DC	max 3,2	-	IP 30	III	2	-	406	398	0,49	2,5	< 44	0 to +60

# Roller blinds – CHILD SAFETY

Following a series of fatal accidents involving children accidentally strangled by blind cords, the European Commission has created the following regulations in order to ensure the safety of the children in the rooms where young children are likely to be present:

**PN-EN 13120** – the standard relates to the overall performance requirements of blinds including safety. This standard sits above all others.

**PN-EN 16433** – the standard sets out the test methods as well as the correct installation of safety devices so that they actually protect against strangulation hazards.

**PN-EN 16434** – the requirement proves the performance capabilities of a safety device through compliance with tests (UV resistance and impact resistance).

Accordingly, on 1.05.2018 ANWIS company introduced solutions which make the internal window coverings it manufactures conform to the requirements of the PN-EN 13120+A1:2014-04 child safety standard.

The PN-EN 13120+A1:2014-04 standard precisely sets out the maximum lengths of pull cords and operating chains used in internal window coverings. The maximum length depends on:

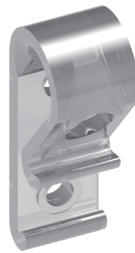
- the height at which the blind is mounted (installation height),
- the height of the blind.

**Having adopted a simplified approach, Anwis company does not require installation height. Consequently, the maximum lengths of cords and chains set in the standard for unknown installation height apply.**

## Child safety components in ANWIS child protection systems:



break-away cord connector

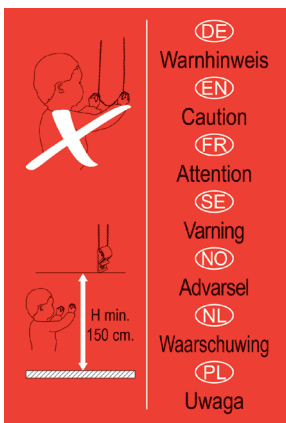


safety cleat



safety cleat (also serves as a weight)

## Safety labels attached to Anwis sun protection systems:



warning label placed on packages containing products compliant with PN-EN 13120 safety standard



warning label placed on packages containing products dedicated for premises where small children are not likely to have access



The fitter must not remove any safety warnings attached to the product. This applies especially to labels attached to control systems and safety features.

# Roller blinds – CHILD SAFETY

## Break-away system

2/3 of blind height (rounded down – gradation: 100 mm)

### Example:

RM 18 roller blind, 630 x 1890 mm, plastic ball chain.

$$\text{Operating length} = \frac{1890 \times 2}{3} = 1260 \text{ mm} \xrightarrow{\text{rounding down}} 1200 \text{ mm}$$

## Tensioned loop system

PLASTIC BALL CHAIN			METAL BALL CHAIN			
	blind height (mm)	operating length (loop) (mm)		blind height (mm)	operating length (loop) (mm)	
Unknown mounting height	0 - 599	250	Unknown mounting height	0 - 200	100	
	600 - 849	500		201 - 400	200	
	850 - 1099	750		401 - 500	300	
	1100 - 2500	1000		501 - 700	400	
Blind length ≤ 2500 mm	2501 - 2749	1000	Blind length ≤ 2500 mm	701 - 800	500	
	2750 - 2999	1250		801 - 1000	600	
	3000 - 3249	1500		1001 - 1100	700	
	3250 - 3499	1750		1101 - 1300	800	
	3500 - 3749	2000		1301 - 1400	900	
	3750 - 3999	2250		1401 - 2500	1000	
	4000 - 4249	2500		Unknown mounting height	2501 - 9999	blind height – 1500 mm (rounded down – gradation: 100 mm)
	4250 - 4499	2750				
	4500 - 9999	3000				

### Example:

RM 32 roller blind, 1530 x 2750 mm, metal ball chain.

$$\text{Operating length} = 2750 - 1500 = 1250 \text{ mm} \xrightarrow{\text{rounding down}} 1200 \text{ mm}$$

---

## More information

---

### Key to symbols:



Information for customers placing an order



Information for persons installing the product



Mounting with screws etc.



Mounting without screws.



Info on PN-EN 13120:2014+A1 (Child Safety) standard



Wire control



Battery - powered



Radio control

---

## More information

---

This catalogue cannot be considered as a trade offer within the meaning of Polish trade law and the civil code. Its character is purely informative.

The information included in the Catalogue reflects the current state of our knowledge and experience.

Due to numerous factors that might influence the way our products are applied and which remain beyond our control, ANWIS shall not be held responsible for occurrence of the prospective difficulties resulting from incorrect application of its products. The recipients of ANWIS products are obliged to ensure that the products are applied in the correct way.

The information included in the Catalogue should not be seen as an encouragement to apply ANWIS products without due regard to binding EU standards and regulations.

Drawings in the system solutions catalogue are for reference only.

We value your feedback and welcome any comments you may have to help improve this catalogue.

Please write: [pm@anwis.pl](mailto:pm@anwis.pl)

Anwis Sp. z o.o. [Ltd.]  
PL, 87-800 Włocławek, Smocza 16/18  
tel. 48 54 412 88 00, fax 48 54 412 88 26  
[www.anwis.pl](http://www.anwis.pl)



www



facebook





